



Chipsmall Limited consists of a professional team with an average of over 10 year of expertise in the distribution of electronic components. Based in Hongkong, we have already established firm and mutual-benefit business relationships with customers from,Europe,America and south Asia,supplying obsolete and hard-to-find components to meet their specific needs.

With the principle of “Quality Parts,Customers Priority,Honest Operation,and Considerate Service”,our business mainly focus on the distribution of electronic components. Line cards we deal with include Microchip,ALPS,ROHM,Xilinx,Pulse,ON,Everlight and Freescale. Main products comprise IC,Modules,Potentiometer,IC Socket,Relay,Connector.Our parts cover such applications as commercial,industrial, and automotives areas.

We are looking forward to setting up business relationship with you and hope to provide you with the best service and solution. Let us make a better world for our industry!



Contact us

Tel: +86-755-8981 8866 Fax: +86-755-8427 6832

Email & Skype: info@chipsmall.com Web: www.chipsmall.com

Address: A1208, Overseas Decoration Building, #122 Zhenhua RD., Futian, Shenzhen, China



4

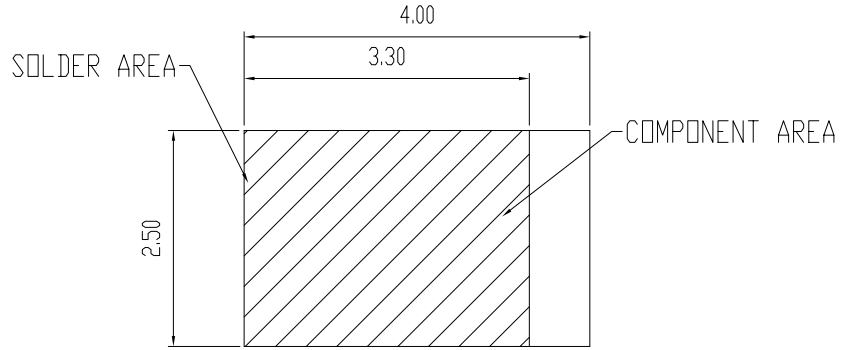
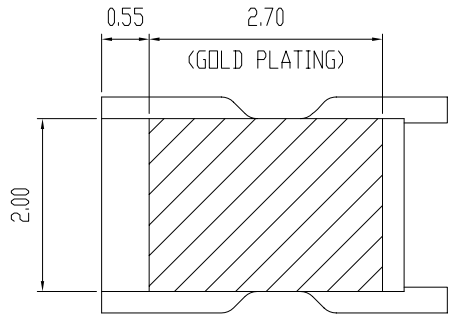
3

2

1

THIS DRAWING IS UNPUBLISHED. RELEASED FOR PUBLICATION - . - .
 © COPYRIGHT 2011 BY TYCO ELECTRONICS CORPORATION. ALL RIGHTS RESERVED.

LOC	DIST	REVISIONS			
P	LTR	DESCRIPTION	DATE	DWN	APVD
DW					
	A	REVISED (ECR-11-023837)	29NOV11	JL	WK



D

D

C

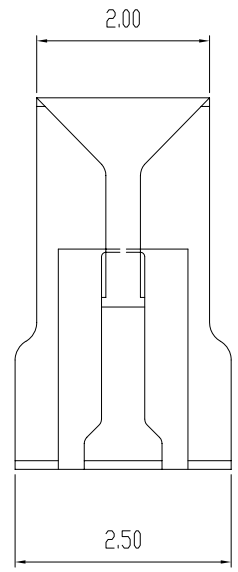
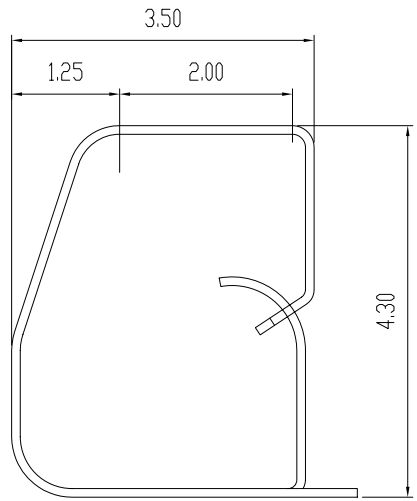
C

B

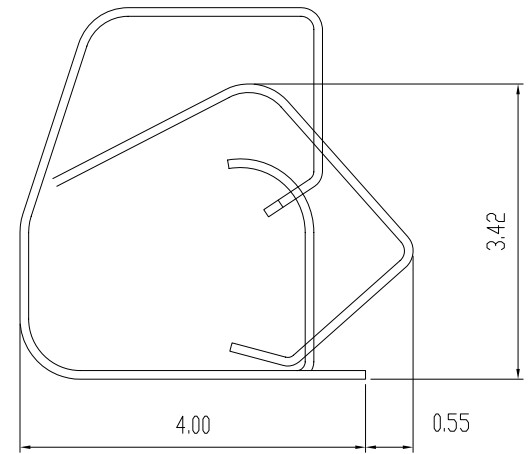
B

A

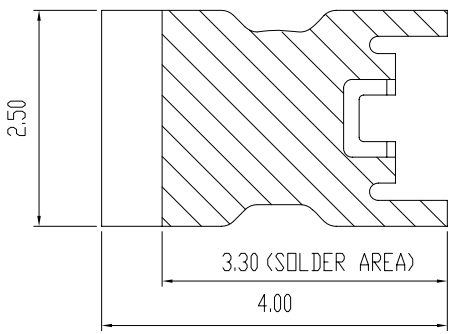
A



RECOMMEND PCB LAYOUT



AFTER PRESSURE



RECOMMENDED FOOT PRINT REFERENCE ONLY

- NOTE:
 1. MATERIAL: TI-CU, T=0.10±0.01
 2. FINISH:
 CONTACT: 2u" MIN GOLD PLATING ON THE CONTACT
 100u" MIN TIN PLATING ON THE SOLDER AREA
 40u" MIN NICKEL UNDER PLATING OVERALL

1775073-1
 PART NUMBER

THIS DRAWING IS A CONTROLLED DOCUMENT.		DWN Q. LU 07DEC2004	STE TE Connectivity	
		CHK S. HOU 07DEC2004		
DIMENSIONS: mm		APVD W.J. KE 07DEC2004	NAME	
TOLERANCES UNLESS OTHERWISE SPECIFIED:		PRODUCT SPEC	SHIELD FINGER 434025N7	
0 PLC ± -		108-57531	SIZE CAGE CODE DRAWING NO RESTRICTED TO	
1 PLC ± 0.3		QUALIFICATION TEST REPORT	A3 00779 C-1775073	
2 PLC ± 0.2		501-57609	WEIGHT 0.027 GRAMS	
3 PLC ± 0.15		CUSTOMER DRAWING	SCALE SHEET 1 OF 2 REV A	
4 PLC ANGLES ± 3'				
MATERIAL SEE NOTE				

4

3

2

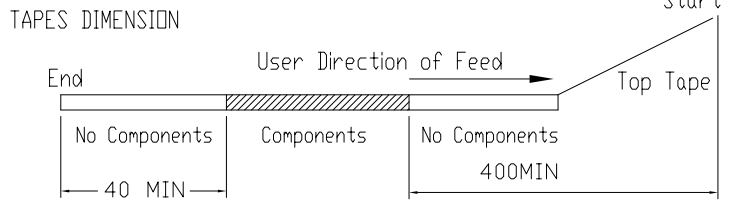
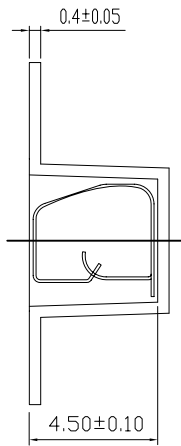
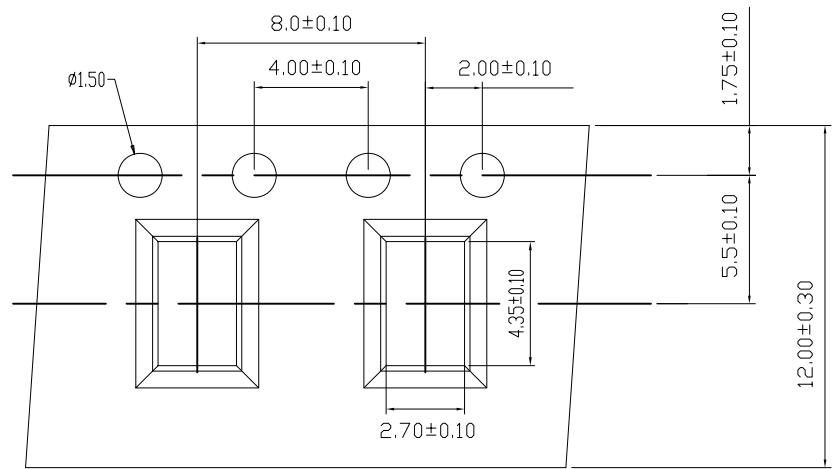
1

THIS DRAWING IS UNPUBLISHED. RELEASED FOR PUBLICATION

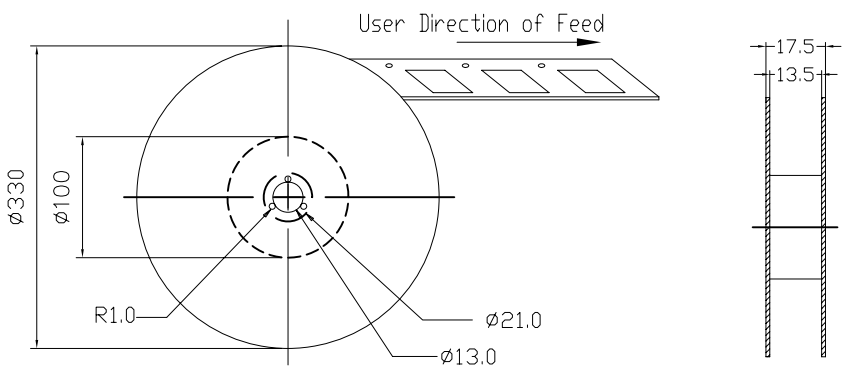
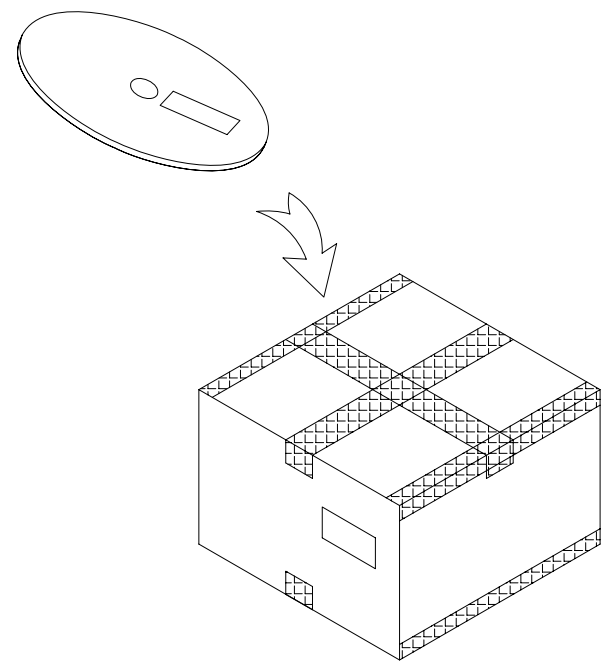
© COPYRIGHT 2011 BY TYCO ELECTRONICS CORPORATION. ALL RIGHTS RESERVED.

LOC	DIST	REVISIONS			
P	LTR	DESCRIPTION	DATE	DWN	APVD
DW		SEE SHEET 1.			

- NOTES :
- QUANTITY :
2000 PCS/REEL
12 REEL/SHIPPING BOX.
 - DIMENSION :
BOX : 340X340X224
 - GENERAL TOLERANCE : ± 0.30
 - MATERIAL:
CARRIER TAPE : ACRYLIC FILM
TOP TAPE : PET FILM
REEL : PLASTIC
 - WEIGHT
NET WEIGHT 3.8kg
GROSS WEIGHT 5.38kg



REEL DIMENSION : REFERENCE ONLY



THIS DRAWING IS A CONTROLLED DOCUMENT.		DWN	TE Connectivity		
DIMENSIONS: mm		CHK	NAME		
TOLERANCES UNLESS OTHERWISE SPECIFIED:		APVD	SHIELD FINGER 434025N7		
0 PLC ± -	1 PLC ± 0.3	PRODUCT SPEC	SIZE	CAGE CODE	DRAWING NO
2 PLC ± 0.2	3 PLC ± 0.15	APPLICATION SPEC	A3	00779	C=1775073
4 PLC ± -	ANGLES ± 3'	WEIGHT	RESTRICTED TO		
MATERIAL	FINISH	CUSTOMER DRAWING	SCALE	SHEET 2 OF 2	REV A