



Chipsmall Limited consists of a professional team with an average of over 10 year of expertise in the distribution of electronic components. Based in Hongkong, we have already established firm and mutual-benefit business relationships with customers from,Europe,America and south Asia,supplying obsolete and hard-to-find components to meet their specific needs.

With the principle of “Quality Parts,Customers Priority,Honest Operation,and Considerate Service”,our business mainly focus on the distribution of electronic components. Line cards we deal with include Microchip,ALPS,ROHM,Xilinx,Pulse,ON,Everlight and Freescale. Main products comprise IC,Modules,Potentiometer,IC Socket,Relay,Connector.Our parts cover such applications as commercial,industrial, and automotives areas.

We are looking forward to setting up business relationship with you and hope to provide you with the best service and solution. Let us make a better world for our industry!



## Contact us

Tel: +86-755-8981 8866 Fax: +86-755-8427 6832

Email & Skype: info@chipsmall.com Web: www.chipsmall.com

Address: A1208, Overseas Decoration Building, #122 Zhenhua RD., Futian, Shenzhen, China

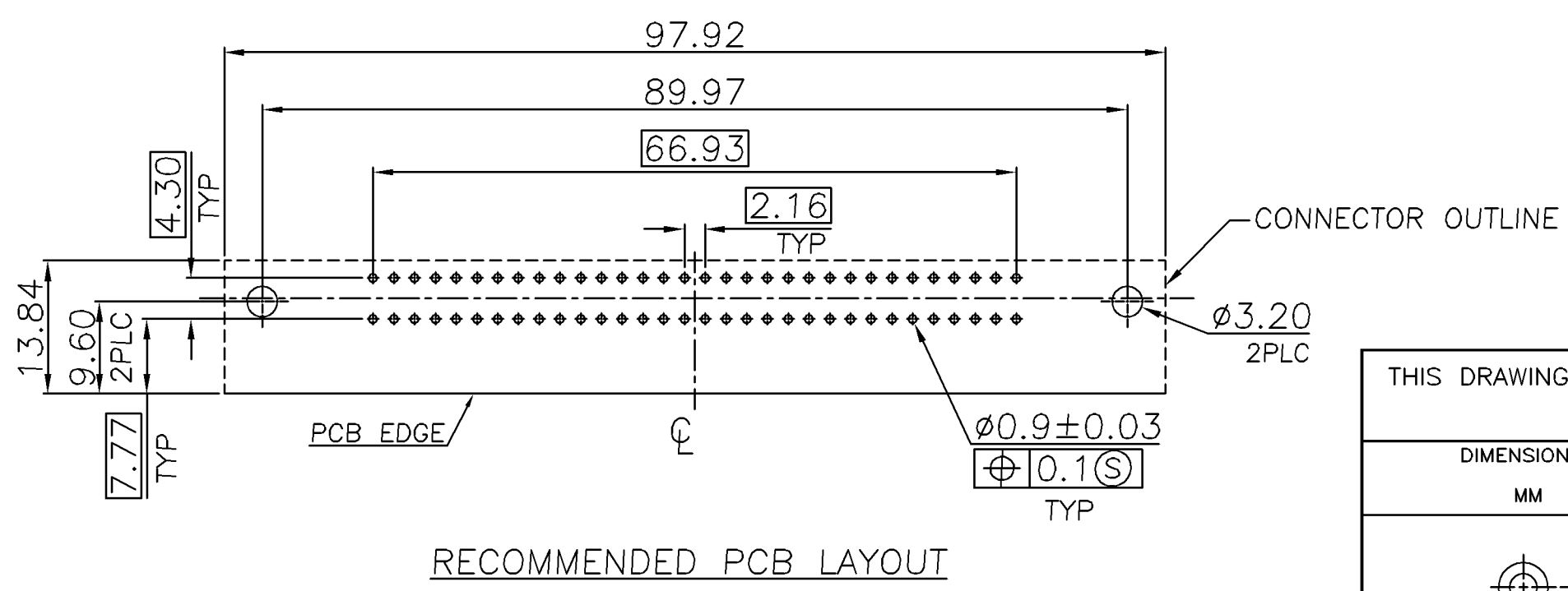
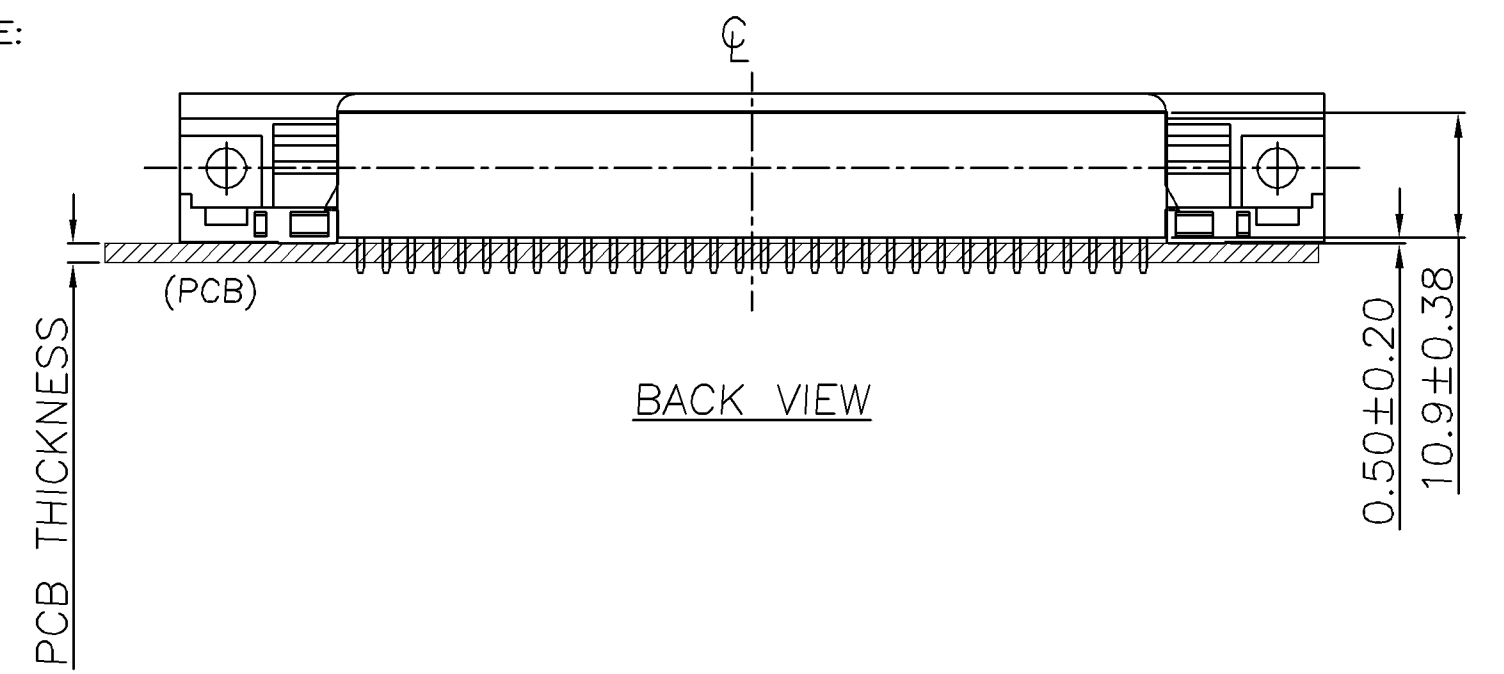
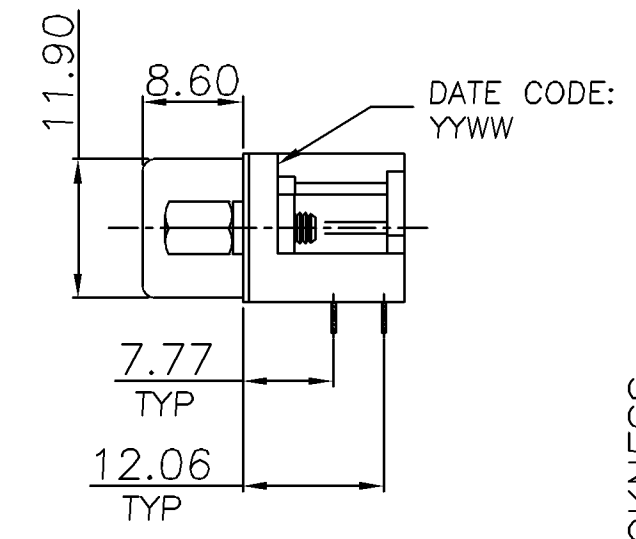
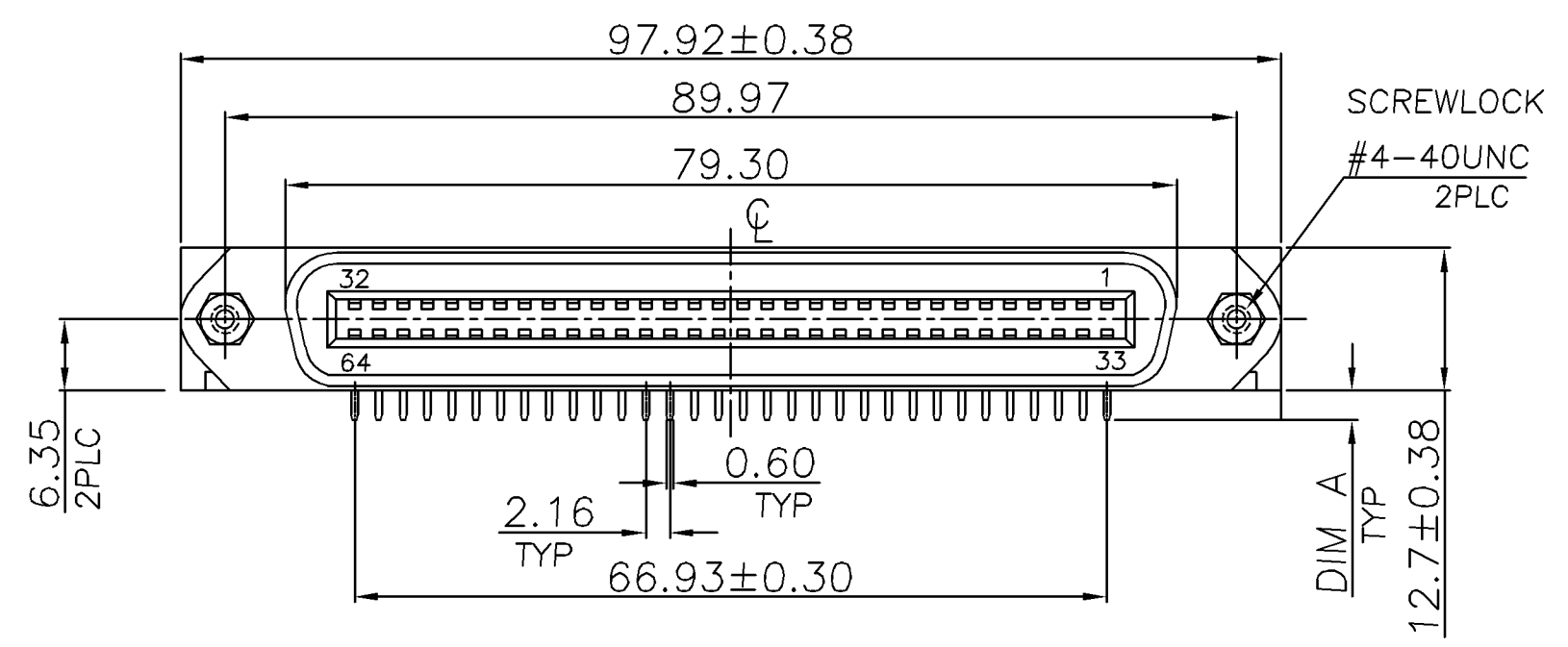
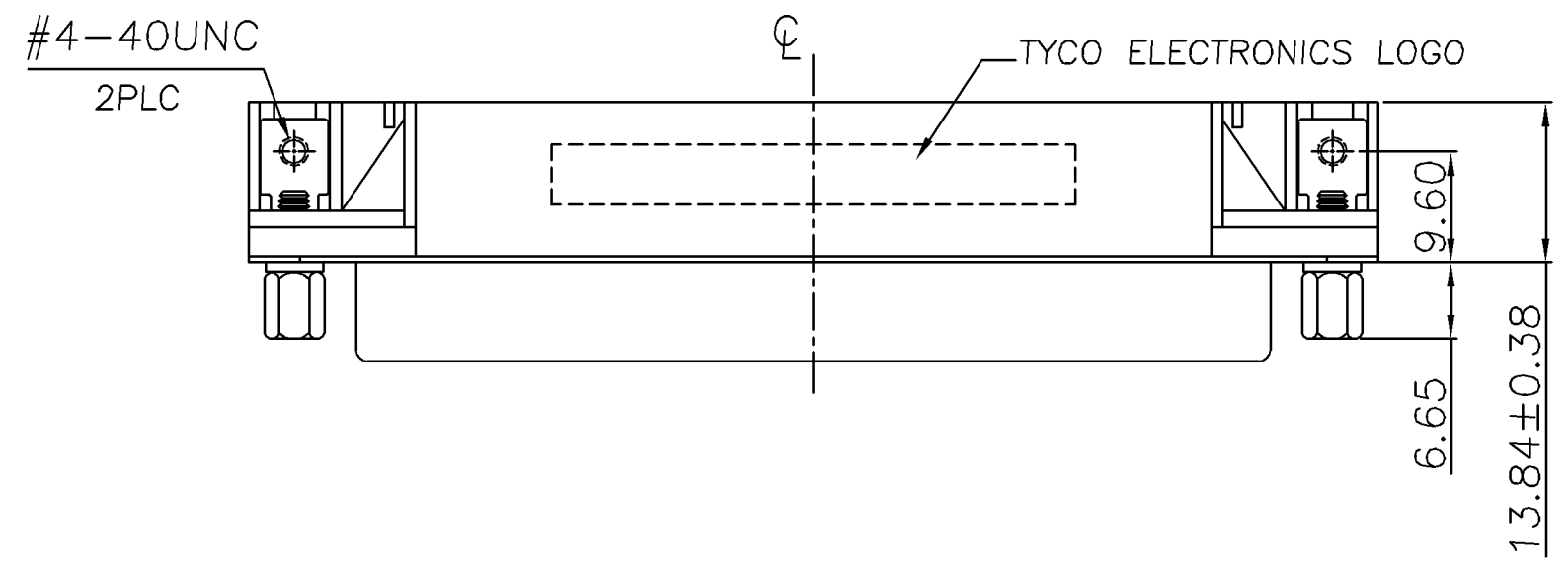


THIS DRAWING IS UNPUBLISHED. RELEASED FOR PUBLICATION  
 © COPYRIGHT - BY TYCO ELECTRONICS CORPORATION. ALL RIGHTS RESERVED.

LOC	DIST	REVISIONS					
		P	LTR	DESCRIPTION	DATE	DWN	APVD
DW	-	01	REVISE	ECR-06-014234	13JUN2006	JL	SH
		A	REVISE	ECR-07-020943	04SEP2007	JL	SH

NOTES:

- MATERIALS  
 HOUSING: THERMOPLASTIC(PBT) WITH GLASS FIBER  
 UL94V-0, BLACK COLOR  
 CONTACT: PHOSPHOR BRONZE  
 SHELL, RIVET AND WASHER: STEEL  
 HEX-SCREWLOCKS: BRASS
- FINISH:  
 CONTACT: 0.381um[15u"] MIN. GOLD PLATING ON CONTACT AREA  
 2.54um[100u"] MIN. MATTE TIN PLATING ON SOLDER TAIL  
 1.27um[50u"] MIN. NICKEL UNDERPLATED ALL OVER  
 SHELL, RIVET, WASHER AND HEX-SCREWLOCKS:  
 2.032[80u"] MIN. NICKEL PLATING
- WAVE SOLDER CAPABLE TO 265°C  
 PER TE SPEC. 109-202, CONDITION B.
- SCREWLOCKS MUST WITHSTAND 6 IN-LBS TORQUE



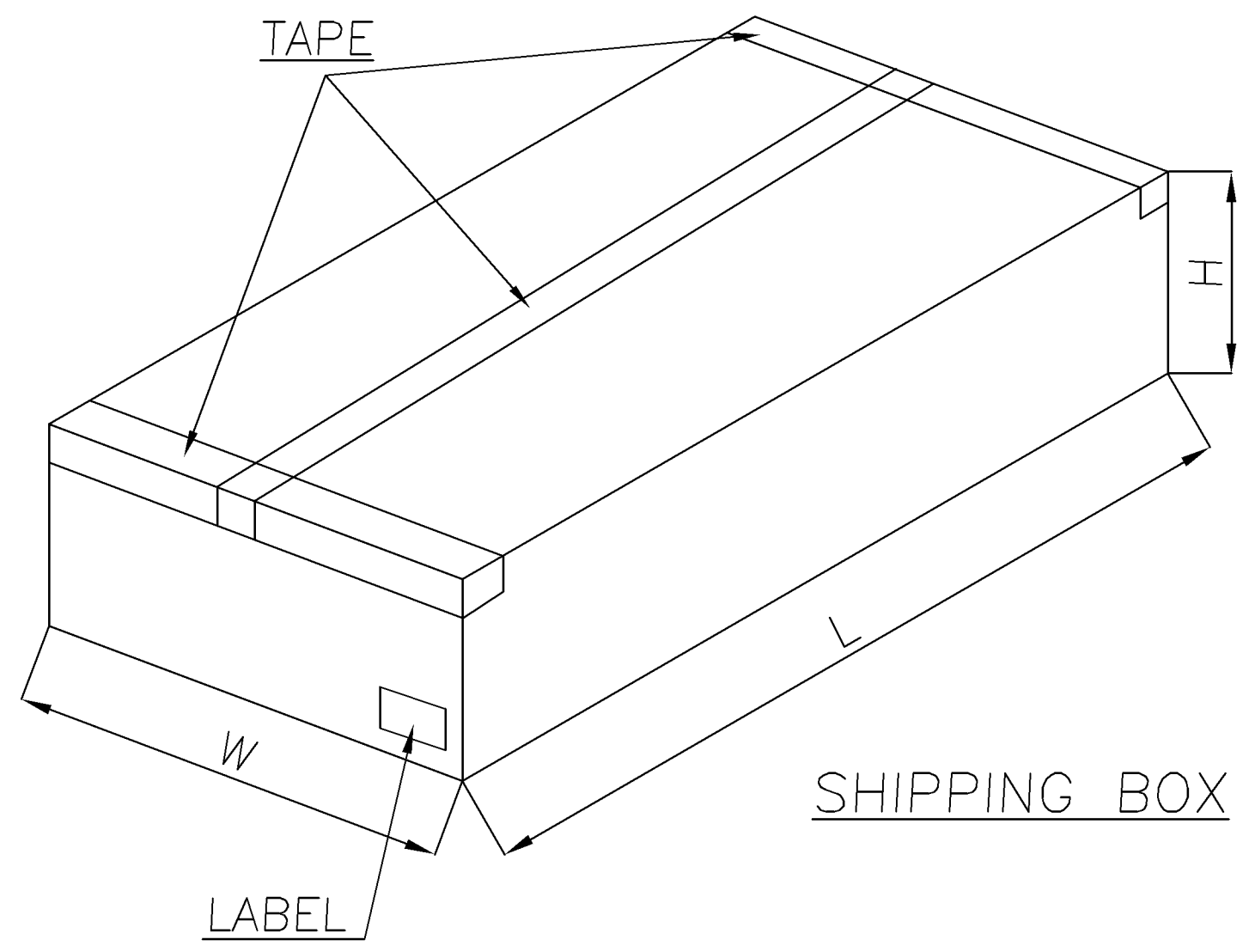
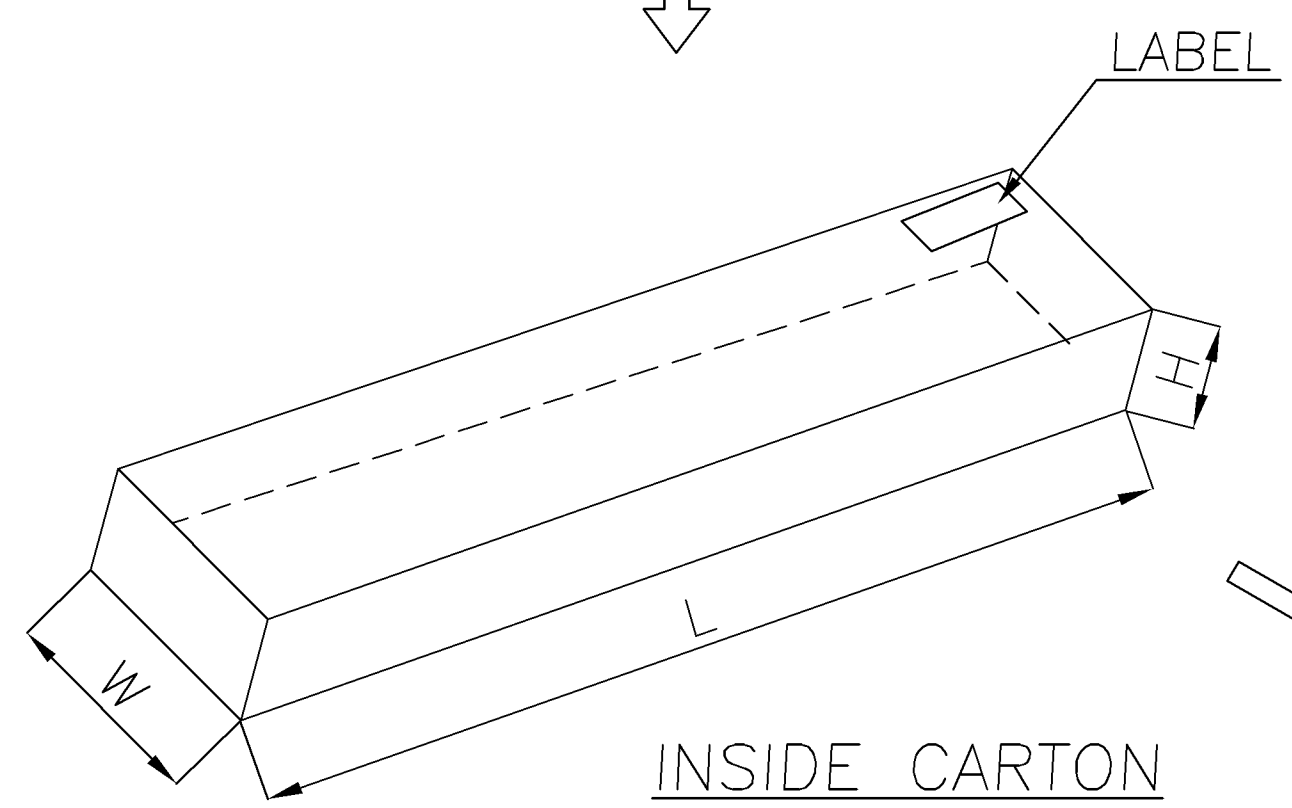
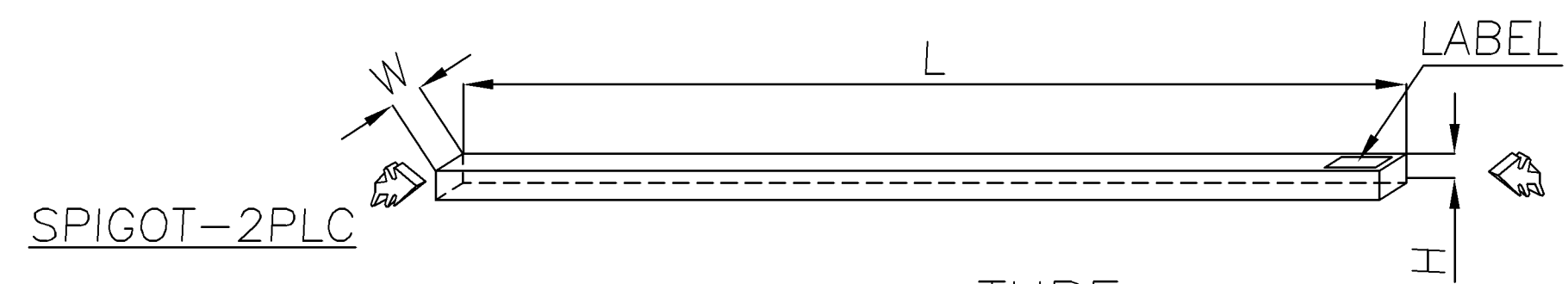
2.0 mm	3.18	1775115-2
1.6 mm	2.60	1775115-1
PCB THICKNESS	DIM A	PART NUMBER

THIS DRAWING IS A CONTROLLED DOCUMENT.		DWN J. LEE 04SEP2007	Tyco Electronics Corporation Taipei, Taiwan	
DIMENSIONS: MM		CHK S. HOU 04SEP2007	NAME	
TOLERANCES UNLESS OTHERWISE SPECIFIED:		APVD W.J. KE 04SEP2007	RECEPTACLE ASSEMBLY, 64 POSN, RIGHT ANGLE, CENTRONICS	
0 PLC ± -		PRODUCT SPEC	SIZE	
1 PLC ± 0.3		APPLICATION SPEC	CAGE CODE	
2 PLC ± 0.2		WEIGHT	DRAWING NO	
3 PLC ± -		CUSTOMER DRAWING	A300779	
4 PLC ± -		SCALE	RESTRICTED TO	
ANGLES ± 3'		SHEET	1 of 2	
FINISH		REV	A	



THIS DRAWING IS UNPUBLISHED. RELEASED FOR PUBLICATION  
 © COPYRIGHT BY TYCO ELECTRONICS CORPORATION. ALL RIGHTS RESERVED.

LOC	DIST	REVISIONS					
		P	LTR	DESCRIPTION	DATE	DWN	APVD
DW	-			SEE SHEET 1.			



- NOTES:
- MATERIAL:  
 TUBE: PVC  
 INSIDE CARTON: CORRUGATED FIBER  
 SHIPPING BOX: CORRUGATED FIBER
  - DIMENSION:  
 TUBE: 635mm(L)x25.5mm(W)x20mm(H)  
 INSIDE CARTON: 660mm(L)x150mm(W)x135mm(H)  
 SHIPPING BOX: 670mm(L)x315mm(W)x150mm(H)
  - QUANTITY:  
 6 PCS/TUBE  
 30 TUBES/INSIDE CARTON  
 2 INSIDE CARTONS/SHIPPING BOX(360PCS)
  - SHIPPING BOX WEIGHT:  
 NET WEIGHT: 15.5KGS  
 GROSS WEIGHT: 16.5KGS

THIS DRAWING IS A CONTROLLED DOCUMENT.		DWN J. LEE	04SEP2007	Tyco Electronics Corporation Taipei, Taiwan	
DIMENSIONS: MM		CHK S. HOU	04SEP2007	NAME RECEPTACLE ASSEMBLY, 64 POSN, RIGHT ANGLE, CENTRONICS	
TOLERANCES UNLESS OTHERWISE SPECIFIED:		APVD W.J. KE	04SEP2007	SIZE A3	CAGE CODE 00779
0 PLC ± -		PRODUCT SPEC		DRAWING NO C=1775115	RESTRICTED TO -
1 PLC ± -		APPLICATION SPEC		SCALE -	SHEET 2 OF 2
2 PLC ± -		WEIGHT -		REV A	
3 PLC ± -		CUSTOMER DRAWING			
4 PLC ± -					
ANGLES ± -					
MATERIAL -					
FINISH -					