



Chipsmall Limited consists of a professional team with an average of over 10 year of expertise in the distribution of electronic components. Based in Hongkong, we have already established firm and mutual-benefit business relationships with customers from,Europe,America and south Asia,supplying obsolete and hard-to-find components to meet their specific needs.

With the principle of “Quality Parts,Customers Priority,Honest Operation,and Considerate Service”,our business mainly focus on the distribution of electronic components. Line cards we deal with include Microchip,ALPS,ROHM,Xilinx,Pulse,ON,Everlight and Freescale. Main products comprise IC,Modules,Potentiometer,IC Socket,Relay,Connector.Our parts cover such applications as commercial,industrial, and automotives areas.

We are looking forward to setting up business relationship with you and hope to provide you with the best service and solution. Let us make a better world for our industry!



Contact us

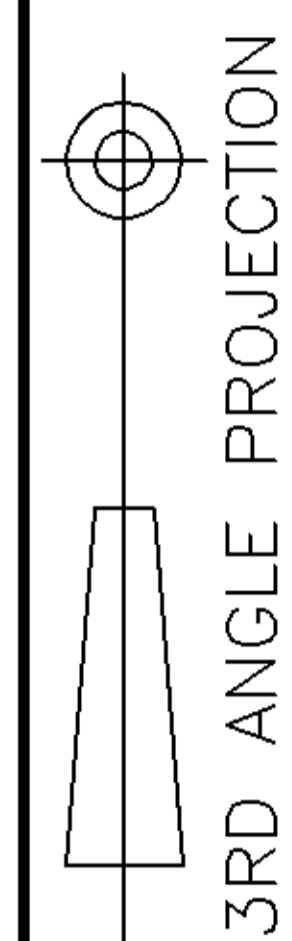
Tel: +86-755-8981 8866 Fax: +86-755-8427 6832

Email & Skype: info@chipsmall.com Web: www.chipsmall.com

Address: A1208, Overseas Decoration Building, #122 Zhenhua RD., Futian, Shenzhen, China



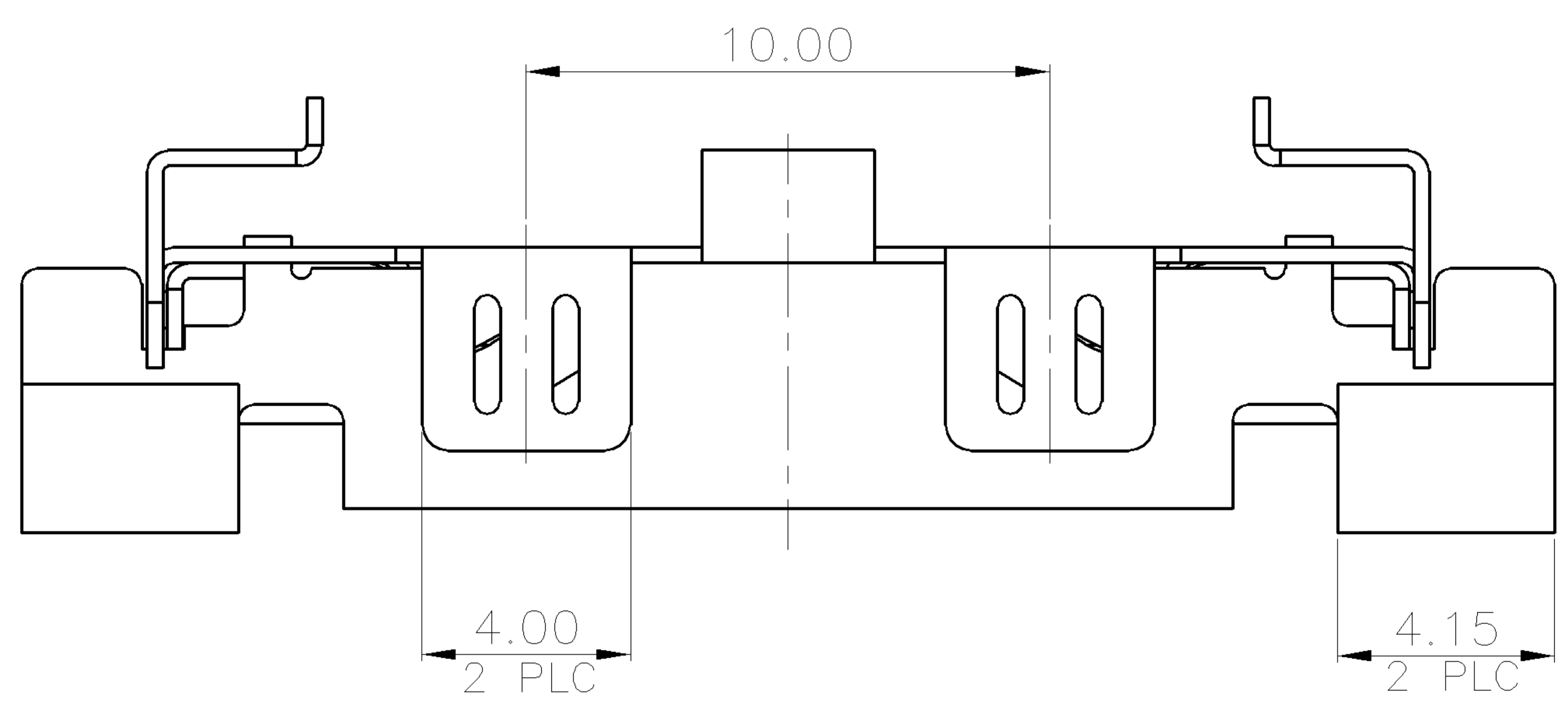
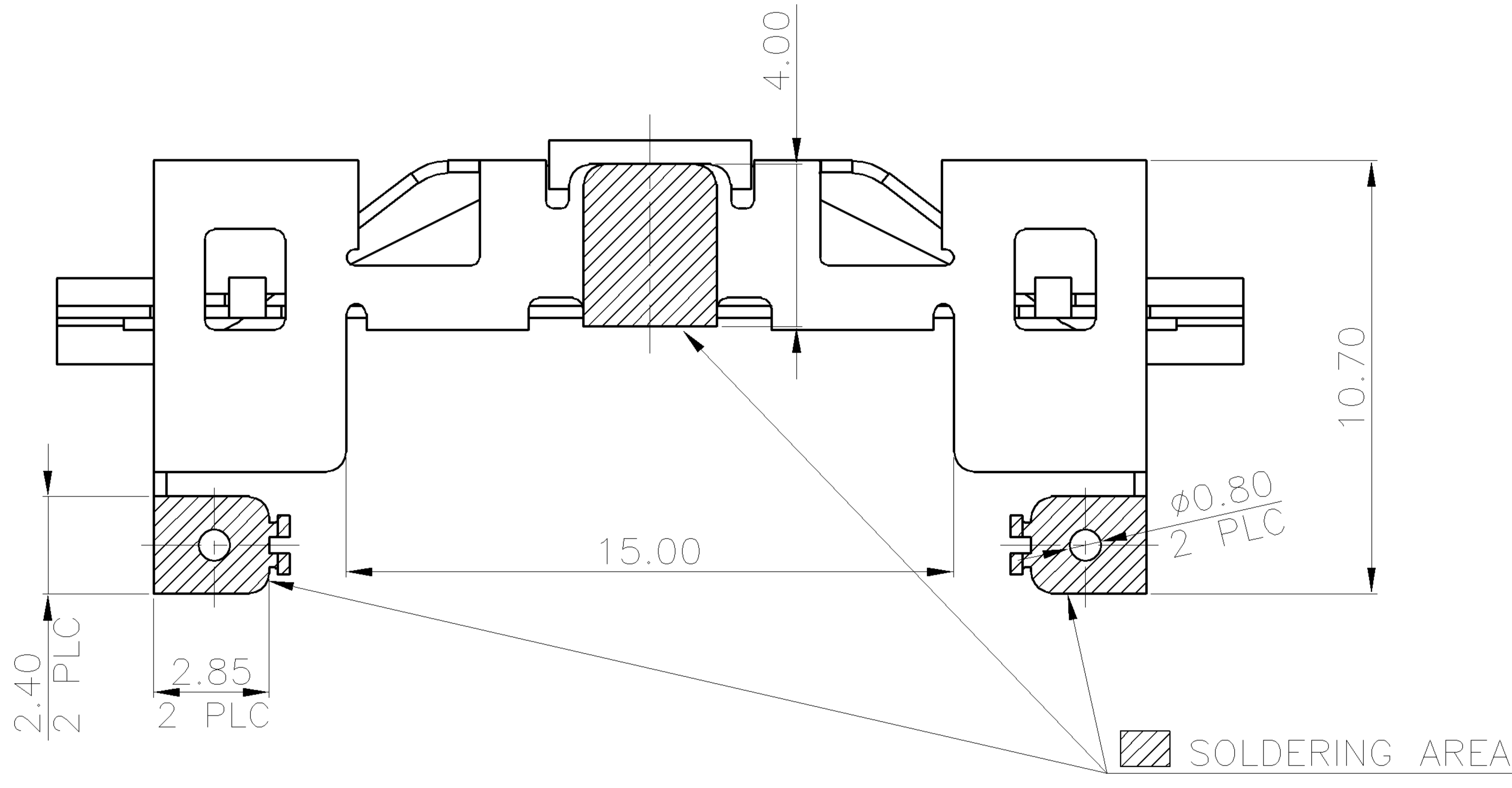
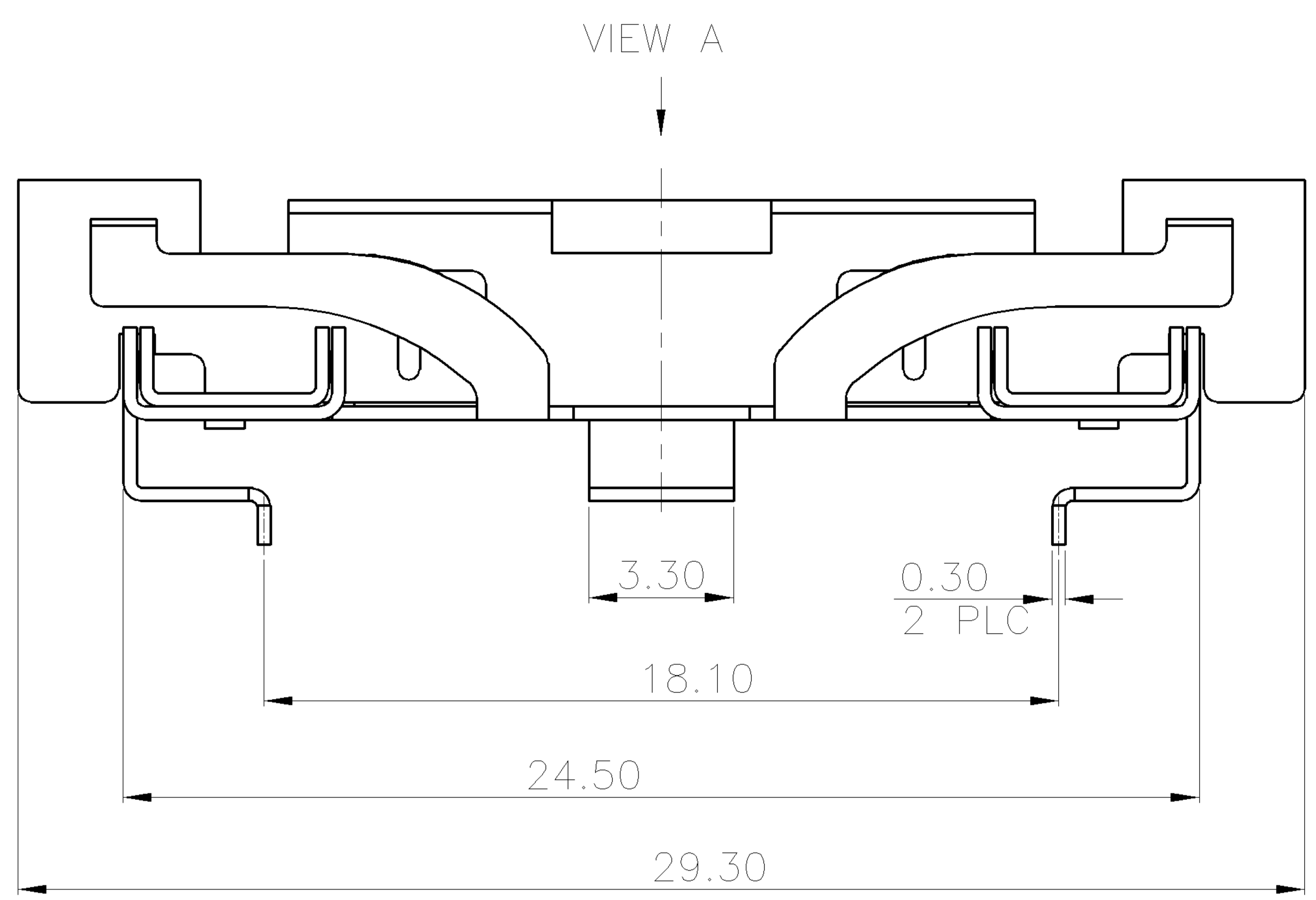
NUMBER
C-1775129



METRIC

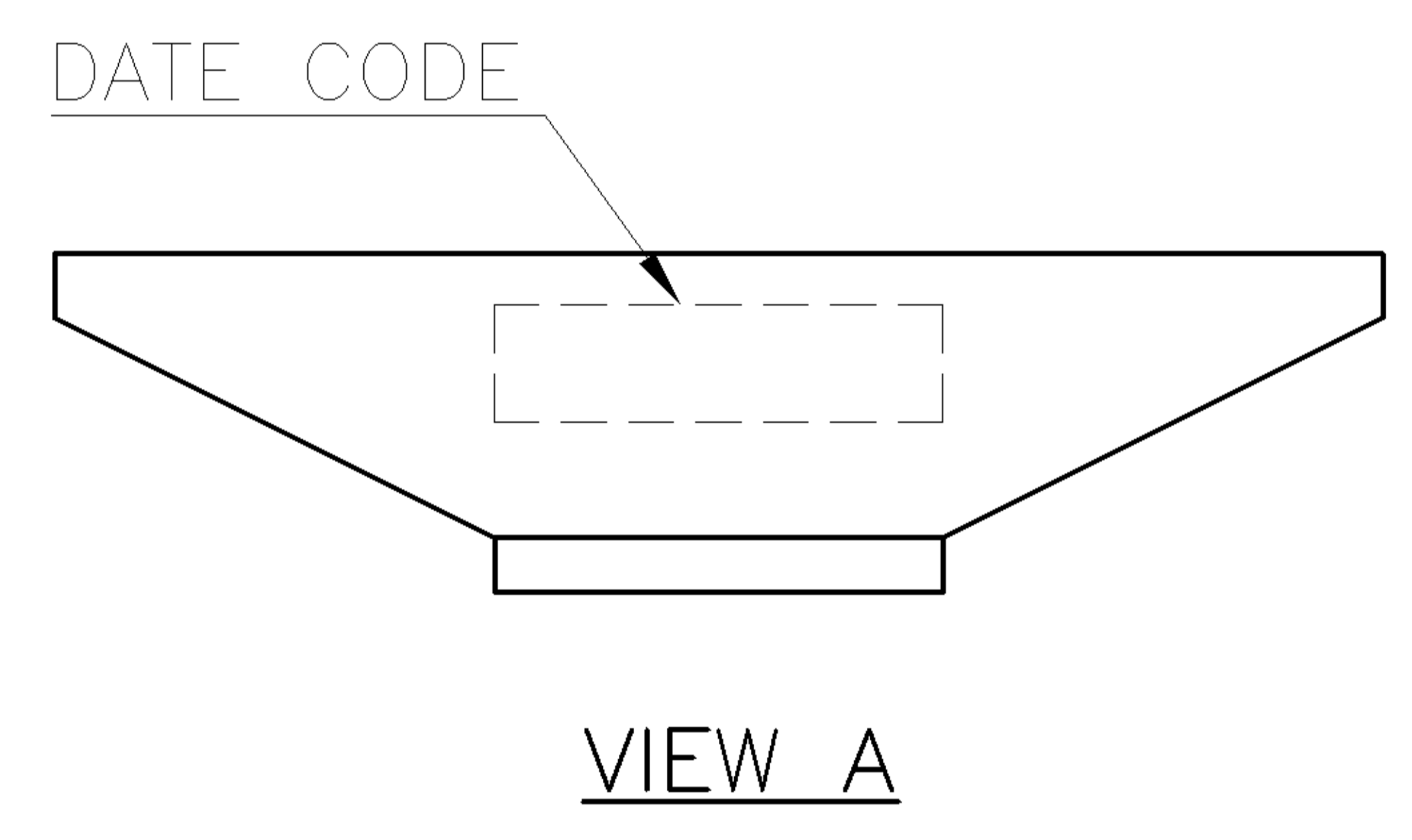
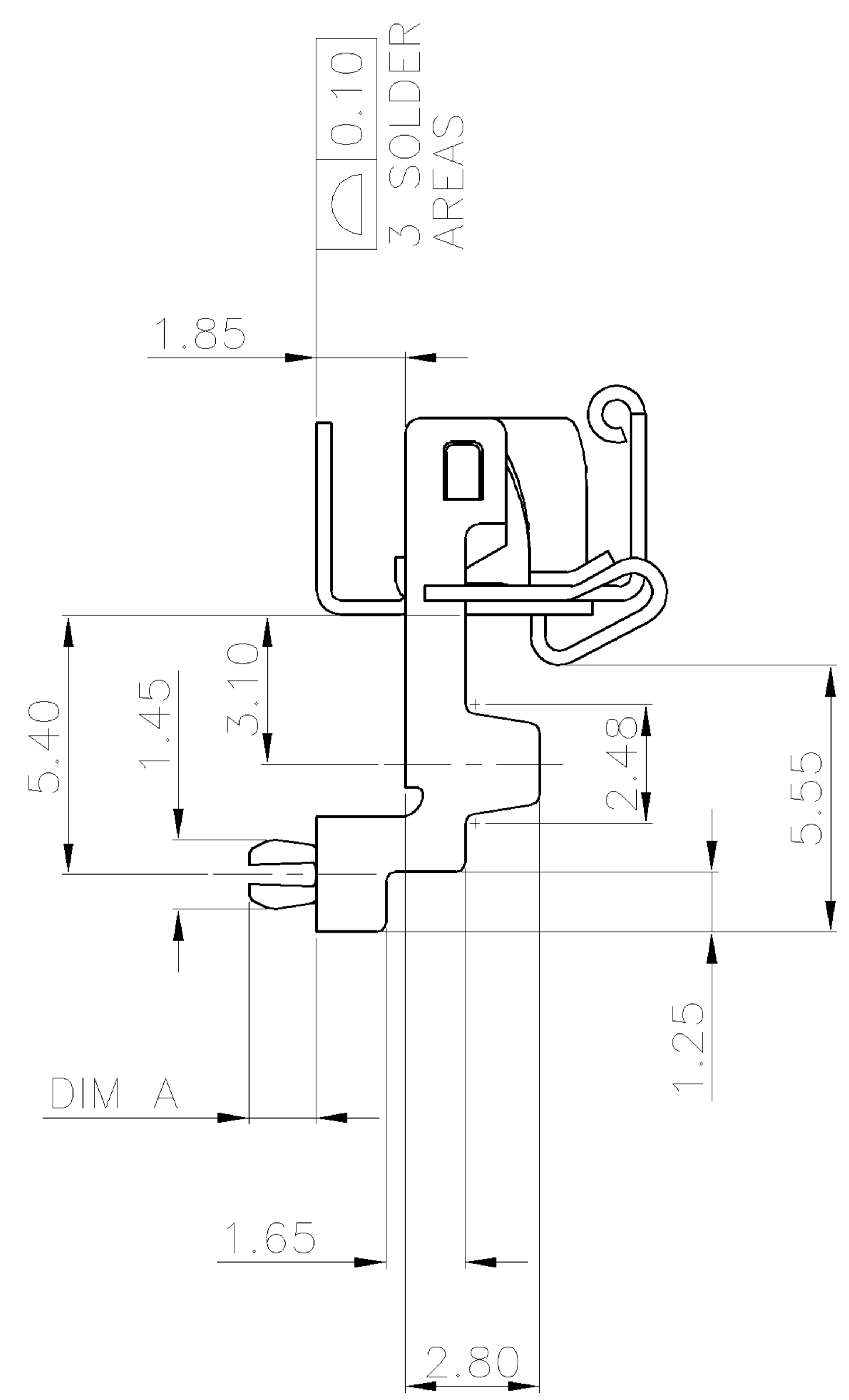
THIS INFORMATION IS CONFIDENTIAL AND IS DISCLOSED TO YOU ON CONDITION THAT NO FURTHER DISCLOSURE IS MADE BY YOU TO OTHER THAN AMP PERSONNEL WITHOUT WRITTEN AUTHORIZATION FROM AMP (TAIWAN) LTD. DIMENSIONS IN MILLIMETERS. DO NOT SCALE PRINT.

PRINT
DW



NOTES:

1. MATERIAL: STAINLESS STEEL.
2. FINISH: GOLD FLASH PLATING ON SOLDERING AREA, $1.27\mu\text{m}$ [$50\mu''$] MIN. NICKEL UNDERPLATED ALL OVER.
3. CONNECTOR PART NUMBERS: (SEE DRAWING# 1775128)
4. FOR MINI PCI EXPRESS 6.7 HEIGHT.
5. REFLOW SOLDER CAPABLE TO 260°C AS PER TYCO SPEC. 109-201, CONDITION B.



1.00	1775129-2
1.40	1775129-1
DIM A	PART NUMBER

TOLERANCES UNLESS OTHERWISE SPECIFIED: 0 PLC ±- 1 PLC ±0.25 2 PLC ±0.2 3 PLC ±0.15 ANGLES ±3'		DWN A. WU 17-JUL-2006	tyco TYCO HOLDINGS (BERMUDA) Electronics VII LTD. TAIWAN BRANCH	
MATERIAL SEE NOTE		CHK S. HOU 17-JUL-2006	NAME LATCH ASSEMBLY, MINI PCI EXPRESS, 52 POS.	
FINISH SEE NOTE		APVD W.J. KE 17-JUL-2006	LOC DW	SIZE A ₃
		PRODUCT SPEC -	DRAWING NO C-1775129	REV A
		QUALIFICATION TEST REPORT -	SCALE --	SHEET 1 OF 3
		WEIGHT 1.1 GRAMS		

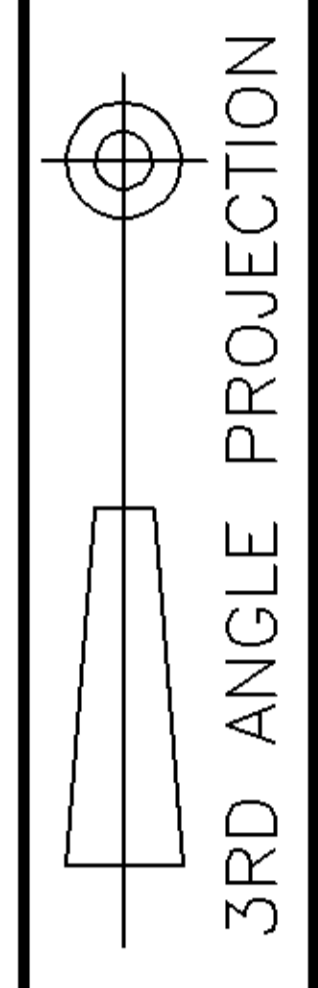
A	REVISED	ECR-06-017125	AW SH	14JUL 2006
O	FIRST RELEASED	--	AW SH	03AUG 2005
LTR	REVISION RECORD	ECN	DWN CHK	DATE

OBsolete
NOT THE LATEST
REVISION

THIS INFORMATION IS CONFIDENTIAL AND IS DISCLOSED TO YOU ON CONDITION THAT NO FURTHER DISCLOSURE IS MADE BY YOU TO OTHER THAN AMP PERSONNEL WITHOUT WRITTEN AUTHORIZATION FROM AMP (TAIWAN) LTD. DIMENSIONS IN MILLIMETERS. DO NOT SCALE PRINT.

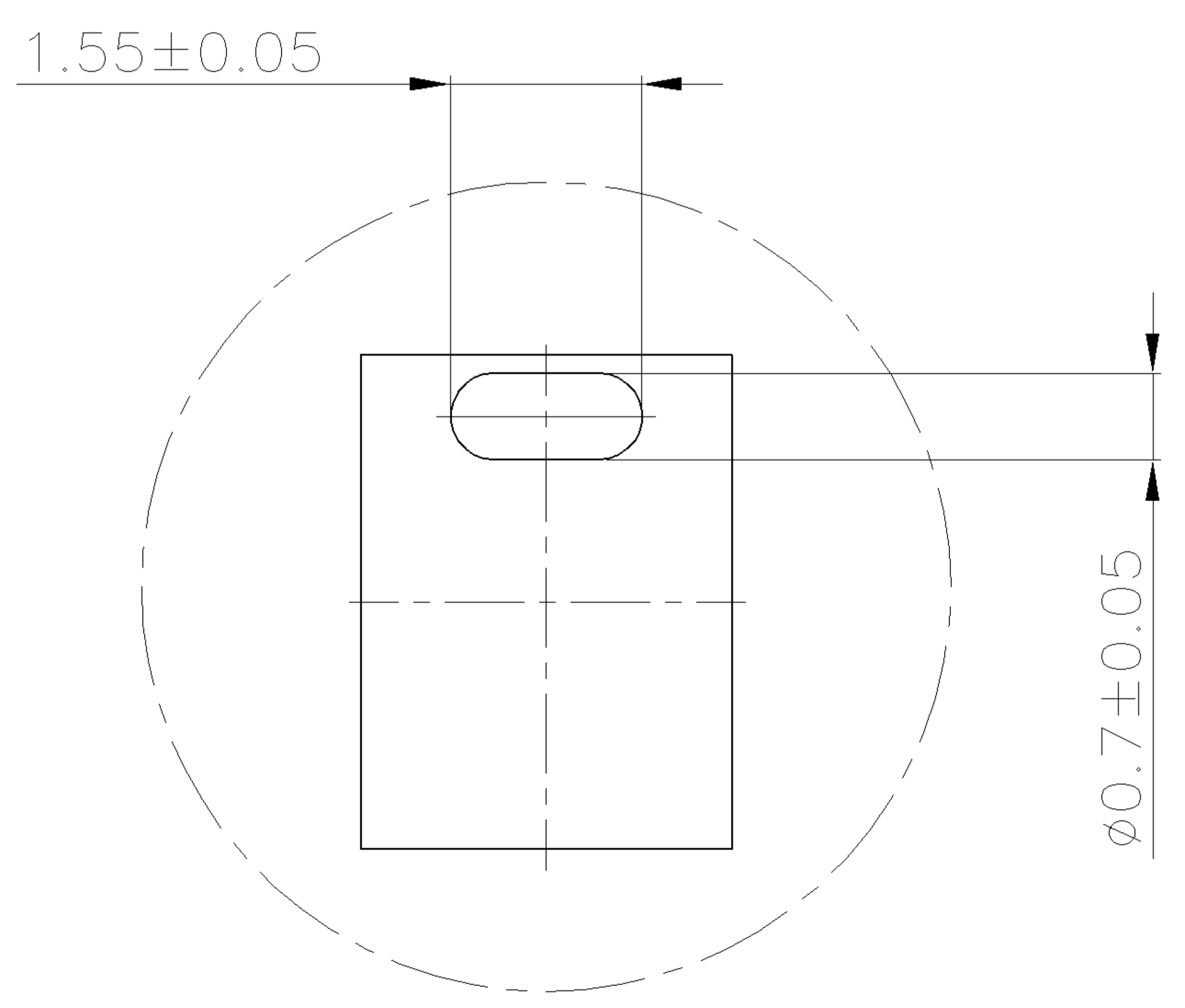
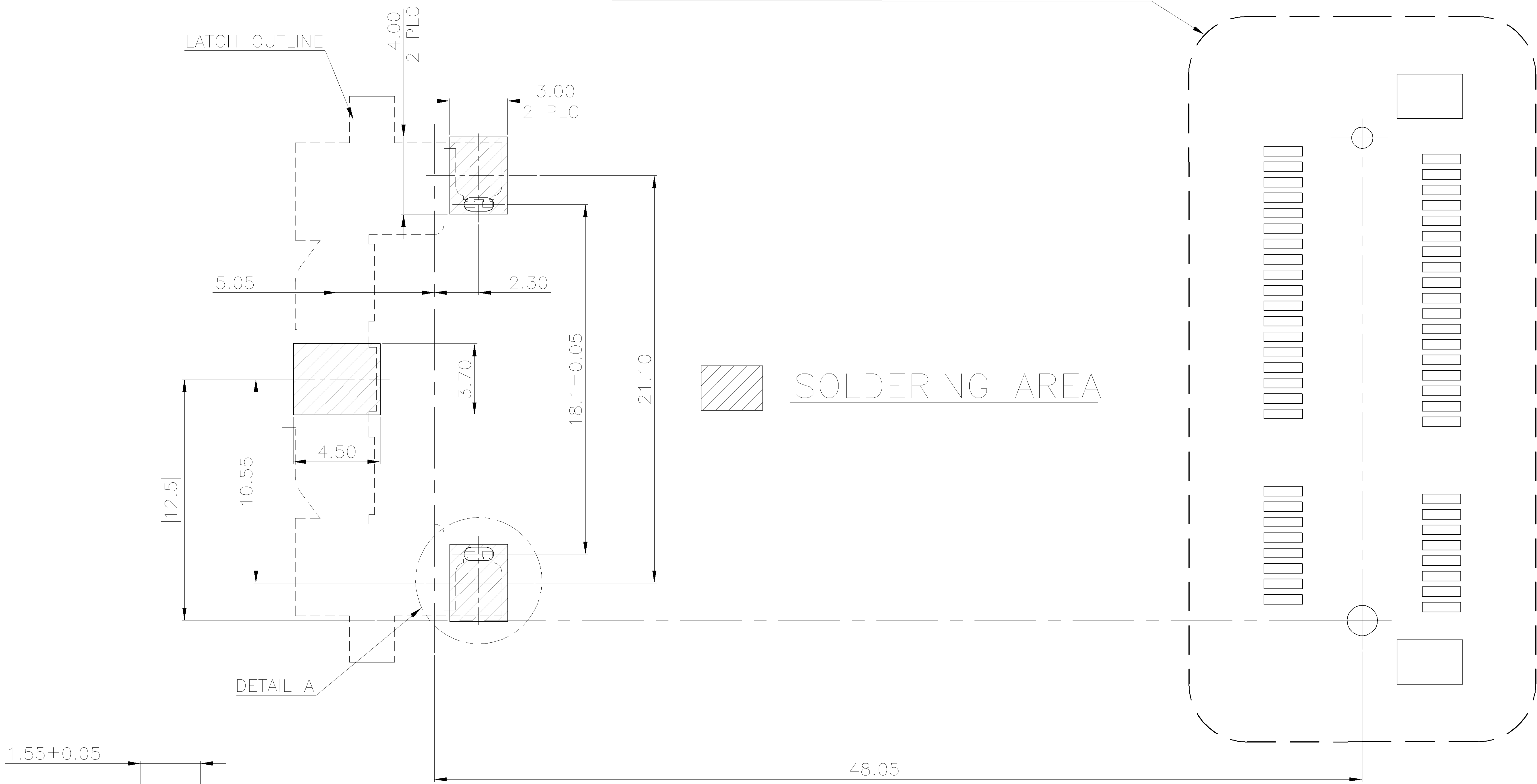
PRINT DIST
DW

METRIC



NUMBER
C-1775129

SEE DRAWING# 1775128 FOR DIMENSIONS



RECOMMENDED LATCH PCB LAYOUT
TOLERANCE: ±0.05, THICKNESS: 1.0mm

TOLERANCES UNLESS OTHERWISE SPECIFIED: 0 PLC ±- 1 PLC ±- 2 PLC ±- 3 PLC ±- ANGLES ±-	DWN A. WU 17-JUL-2006	TYCO HOLDINGS (BERMUDA) VII LTD. TAIWAN BRANCH								
	CHK S. HOU 17-JUL-2006									
MATERIAL -	APVD W.J. KE 17-JUL-2006	LATCH ASSEMBLY, MINI PCI EXPRESS, 52 POS.								
FINISH -	PRODUCT SPEC -									
	APPLICATION SPEC -	<table border="1"> <tr> <td>LOC</td> <td>SIZE</td> <td>DRAWING NO</td> <td>REV</td> </tr> <tr> <td>DW</td> <td>A₃</td> <td>C-1775129</td> <td>A</td> </tr> </table>	LOC	SIZE	DRAWING NO	REV	DW	A ₃	C-1775129	A
LOC	SIZE	DRAWING NO	REV							
DW	A ₃	C-1775129	A							
	WEIGHT -	<table border="1"> <tr> <td>SCALE</td> <td>SHEET</td> </tr> <tr> <td>--</td> <td>2 OF 3</td> </tr> </table>	SCALE	SHEET	--	2 OF 3				
SCALE	SHEET									
--	2 OF 3									

SEE SHEET 1	ECN	DWN	CHK	DATE
LTR	REVISION RECORD			

8 7 6 5 4 3 2 1
CUSTOMER DRAWING

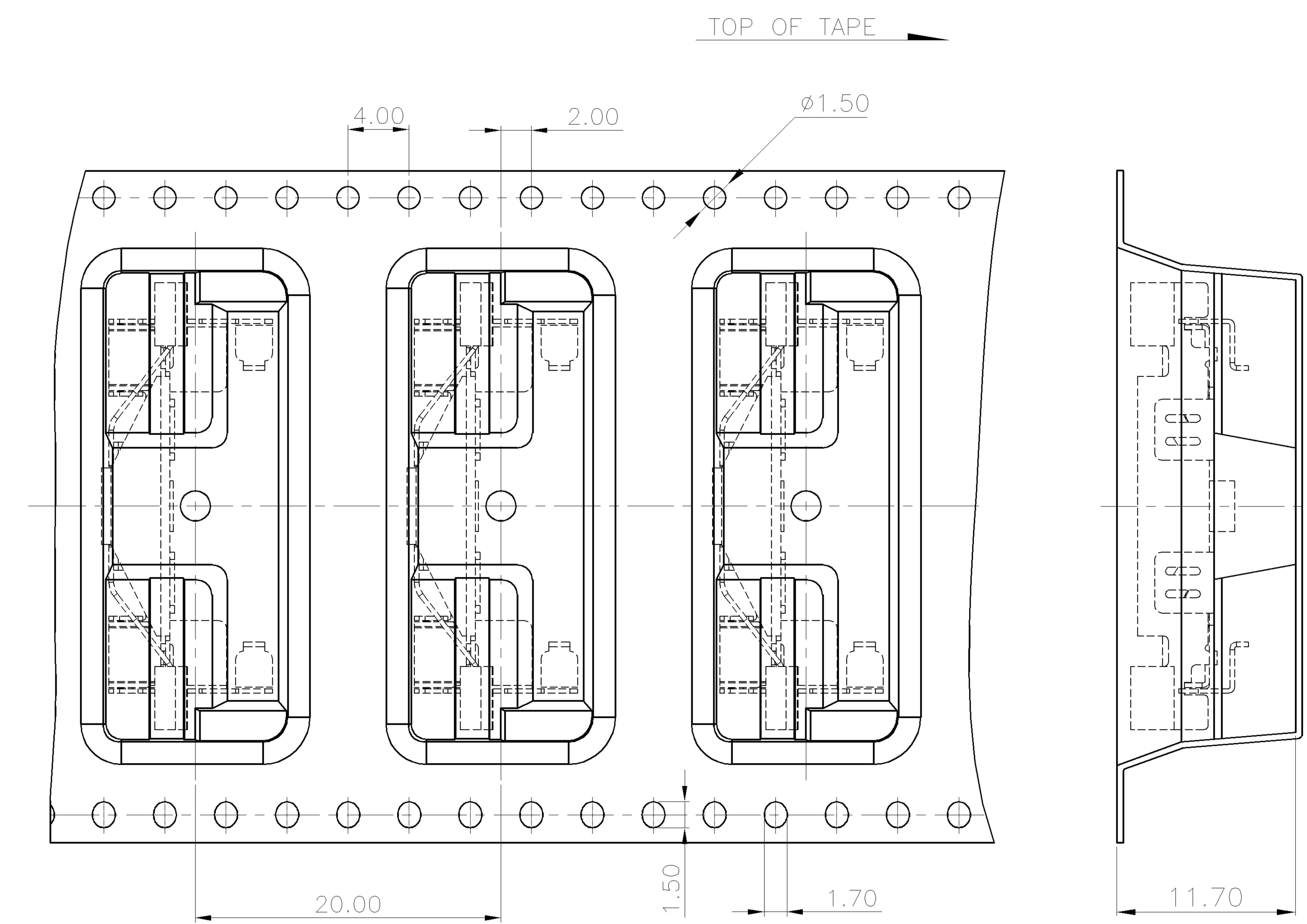
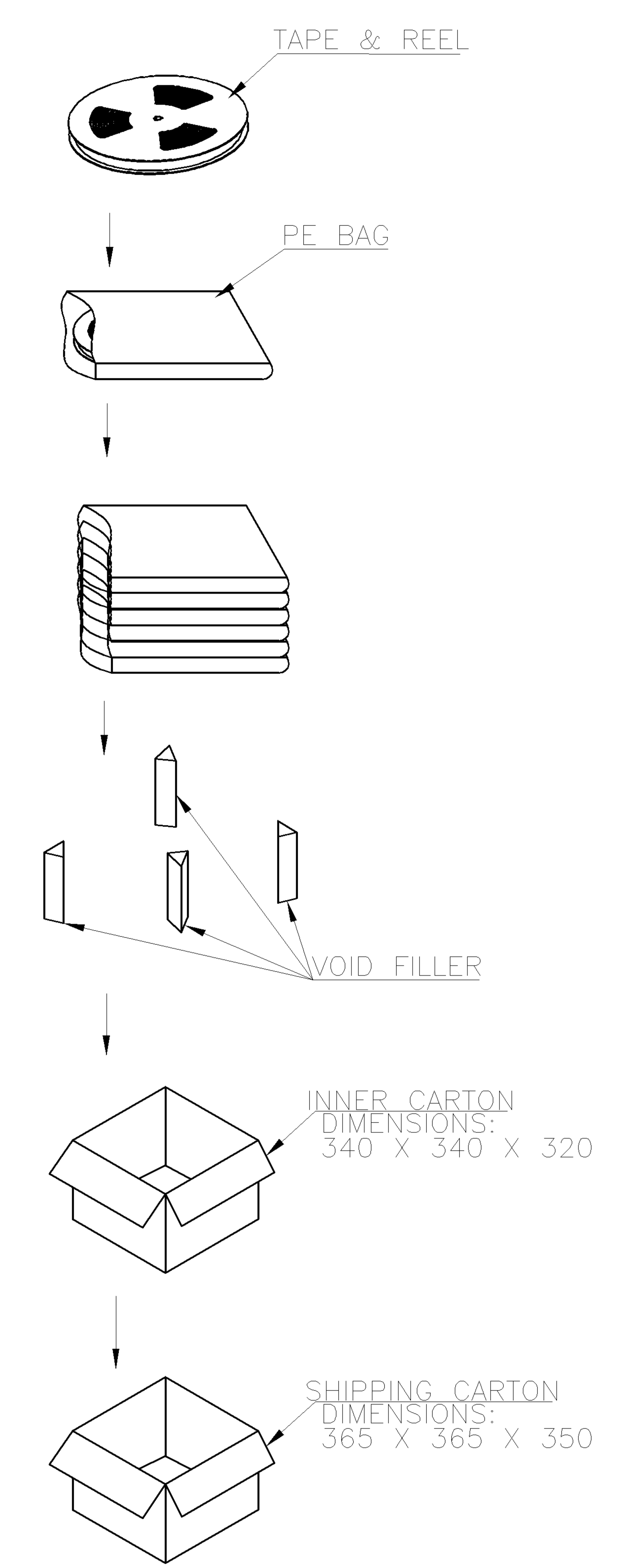
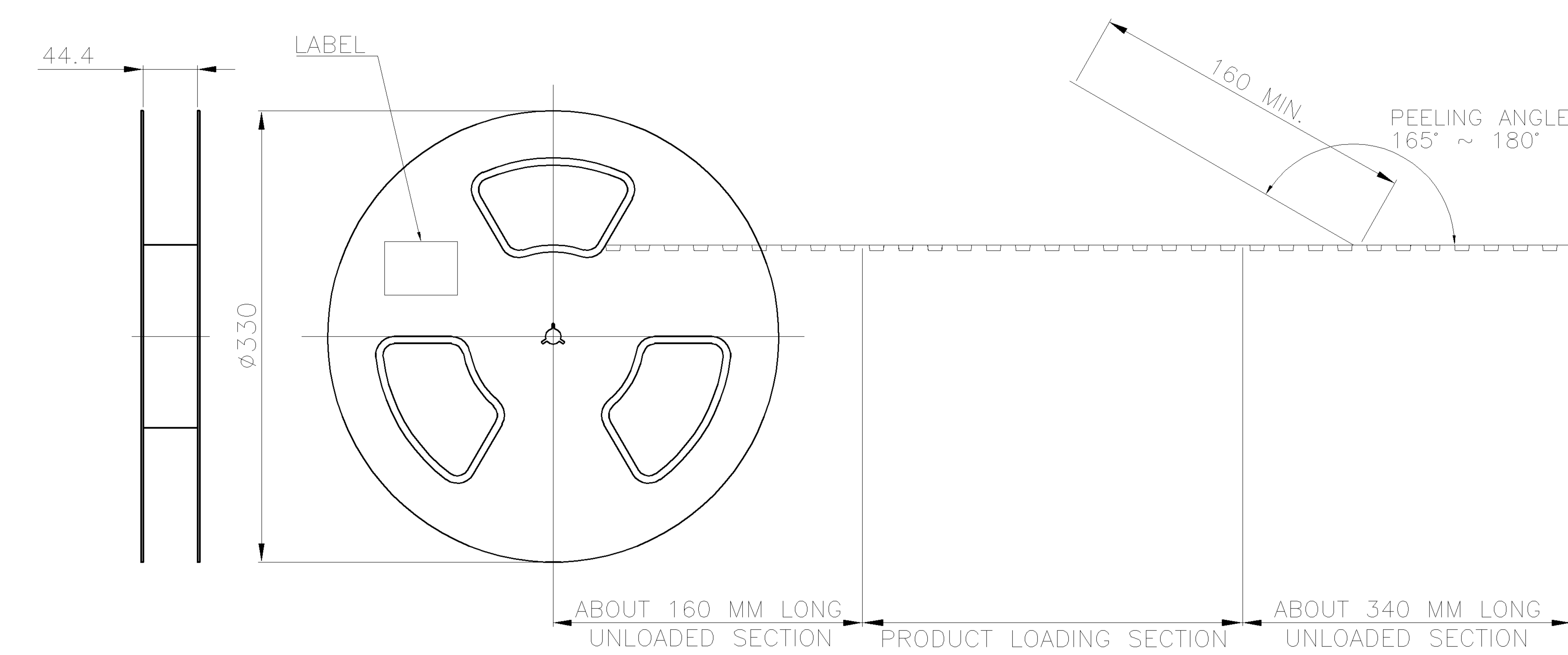
THIS INFORMATION IS CONFIDENTIAL AND IS DISCLOSED TO YOU ON CONDITION THAT NO FURTHER DISCLOSURE IS MADE BY YOU TO OTHER THAN AMP PERSONNEL WITHOUT WRITTEN AUTHORIZATION FROM AMP (TAIWAN) LTD. DIMENSIONS IN MILLIMETERS. DO NOT SCALE PRINT.

NUMBER
C-1775129

3RD ANGLE PROJECTION

METRIC

PRINT
DW



250	6	1500	6.33	1.98
PCS/ REEL	REELS/ CARTON	QUANTITY	G/W (KG)	N/W (KG)

TOLERANCES UNLESS OTHERWISE SPECIFIED: 0 PLC ±- 1 PLC ±- 2 PLC ±- 3 PLC ±- ANGLES ±-	DWN	A. WU 17-JUL-2006	tyco TYCO HOLDINGS (BERMUDA) VII LTD. TAIWAN BRANCH			
	CHK	S. HOU 17-JUL-2006				
MATERIAL SEE NOTE	APVD	W.J. KE 17-JUL-2006	LATCH ASSEMBLY, MINI PCI EXPRESS, 52 POS.			
	PRODUCT SPEC	-				
FINISH SEE NOTE	APPLICATION SPEC	-	LOC	SIZE	DRAWING NO	REV
	WEIGHT	-	DW	A ₃	C-1775129	A
			SCALE	SHEET		
			--		3 OF 3	

SEE SHEET 1	ECN	DWN	CHK	DATE
LTR	REVISION RECORD			