



Chipsmall Limited consists of a professional team with an average of over 10 year of expertise in the distribution of electronic components. Based in Hongkong, we have already established firm and mutual-benefit business relationships with customers from,Europe,America and south Asia,supplying obsolete and hard-to-find components to meet their specific needs.

With the principle of “Quality Parts,Customers Priority,Honest Operation,and Considerate Service”,our business mainly focus on the distribution of electronic components. Line cards we deal with include Microchip,ALPS,ROHM,Xilinx,Pulse,ON,Everlight and Freescale. Main products comprise IC,Modules,Potentiometer,IC Socket,Relay,Connector.Our parts cover such applications as commercial,industrial, and automotives areas.

We are looking forward to setting up business relationship with you and hope to provide you with the best service and solution. Let us make a better world for our industry!



Contact us

Tel: +86-755-8981 8866 Fax: +86-755-8427 6832

Email & Skype: info@chipsmall.com Web: www.chipsmall.com

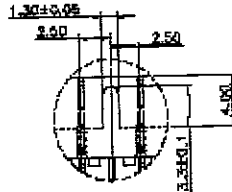
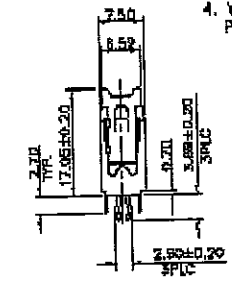
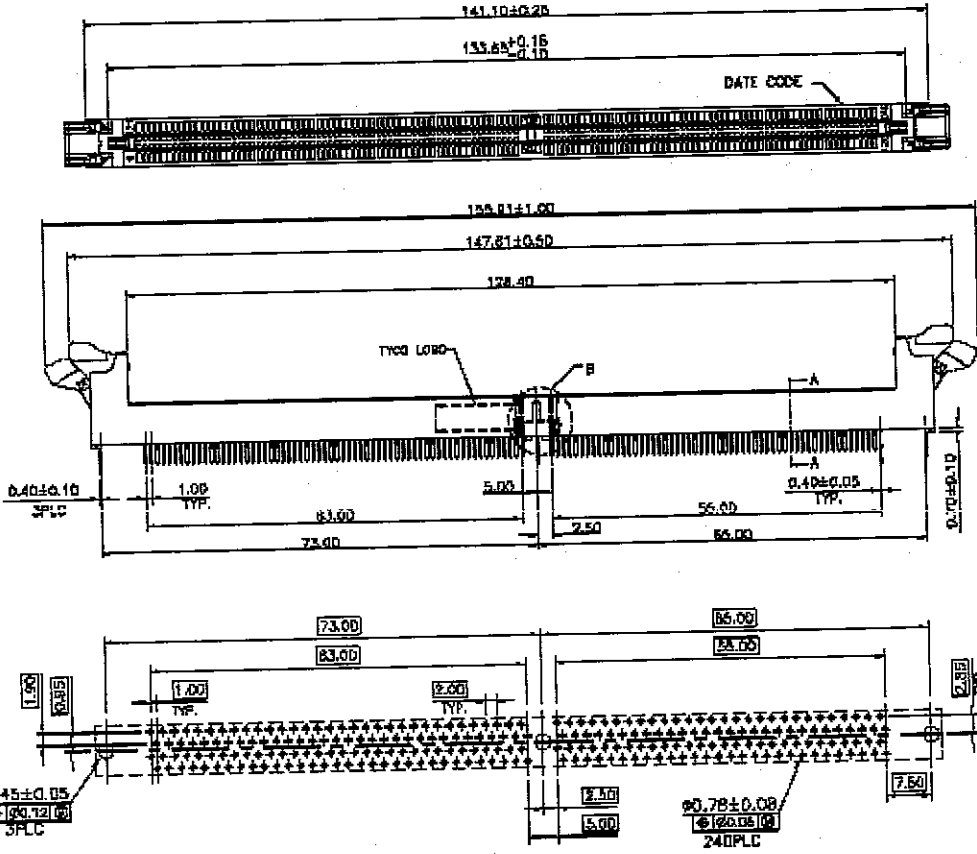
Address: A1208, Overseas Decoration Building, #122 Zhenhua RD., Futian, Shenzhen, China



C-1775290

METRIC

THIS DRAWING IS COMPLIANT WITH THE REQUIREMENTS OF THE ISO 9000 SERIES. IT IS TO BE USED AS A REFERENCE ONLY. IT IS NOT TO BE USED FOR THE MANUFACTURE OF PARTS. ANY DIMENSIONS IN MILLIMETERS. DO NOT SCALE PRINT.



1.8 VOLT
DETAIL B
SCALE 2:1

- NOTES:
- MATERIAL:
 - HOUSING: THERMOPLASTIC(PA46) UL94V-0; COLOR: BLACK.
 - EXTRACTOR: THERMOPLASTIC(PA66) UL94V-0; COLOR: WHITE.
 - CONTACTS: PHOSPHOR BRONZE.
 - BOARDLOCK: BRASS.
 - FINISH:
 - CONTACT: GOLD PLATING(SEE TABLE) PLATING ON CONTACT AREA, 2.54µm(100µ")MIN. MATTE TIN PLATING ON SOLDER TAILS, 1.27µm(50µ")MIN. NICKEL UNDERPLATING OVERALL.
 - BOARDLOCK: 1.27µm(50µ")MIN. NICKEL PLATING OVERALL.
 - RECOMMENDED PCB THICKNESS: 1.6mm.
 - WAVE SOLDER CAPABLE TO 285°C. PER TYCO SPEC. 109-202, CONDITION B.

RECOMMENDED PCB LAYOUT
PCB TOLERANCE : ±0.05

0.782µm (30µ")	1775290-2
0.381µm (15µ")	1775290-1
MIN. GOLD PLATING	PART NUMBER

TOLERANCES UNLESS OTHERWISE SPECIFIED: Ø FLD ± 0.3 Ø FLD ± 0.2 Ø FLD ± 0.1 ANGLES ± 3°	OWN B. HOLE 26-APR-2008	TYCO ELECTRONICS NORWICH	POSS RELEASED (GERMANY) V8 LTD, TAMPAH BRANCH
MATERIAL SEE NOTE	APVD W.L. KE 25-APR-2008	PRODUCT SPEC 108-57817	DIWIM DURI SOCKET 240 POSITION VERTICAL LOW PROFILE CONNECTOR
FINISH SEE NOTE	QUALIFICATION TEST REPORT G01-57718	LOC DW SCALE	DRAWING NO C-1775290
	WEIGHT 1.47 GRAM	REV A	SHEET 1 OF 3

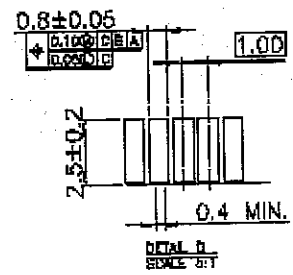
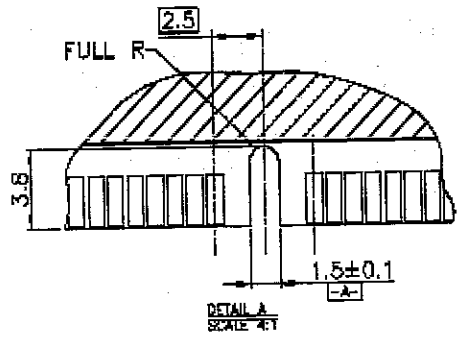
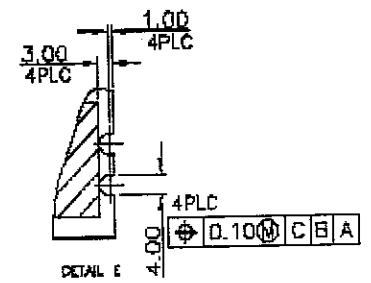
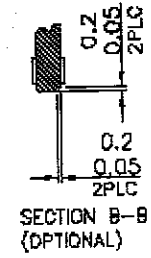
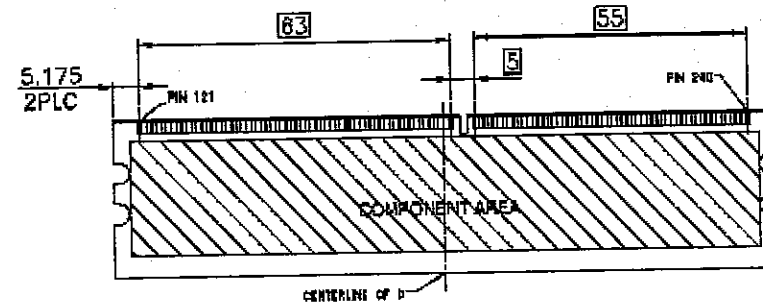
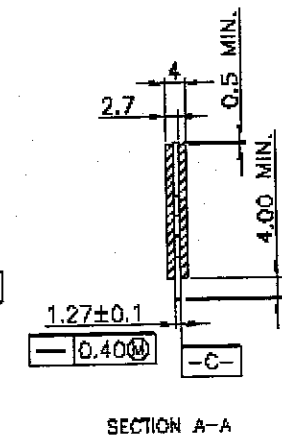
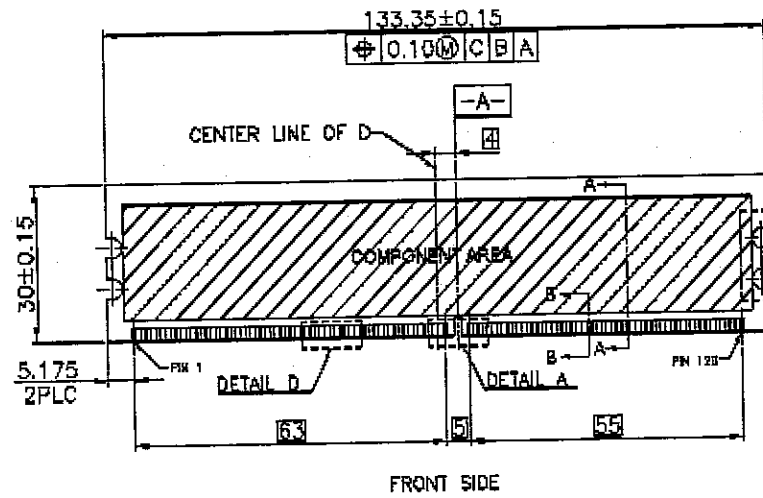
A	FIRST RELEASED	---	SH	DATE
LTR	REVISION RECORD	ECH	DATE	

REVISION C-1775290

METRIC 3RD ANGLE PROJECTION

METRIC

THIS DRAWING IS TO BE MADE TO THE DIMENSIONS AND TOLERANCES SPECIFIED. DIMENSIONS IN MILLIMETERS DO NOT SCALE PRINT.



TOLERANCES UNLESS OTHERWISE SPECIFIED: D 1 PLC ± F 1 PLC ± G 1.5 PLC ± H 2 PLC ± ANGLES ± 3'	DRW	S. HENDI 26-APR-2008		TYKO HOLDING (BERHAJAH) M LTD. TANJUN PRAKARA
	CHK	W.J. KE 25-APR-2008		
MATERIAL	APVD	W.J. KE 25-APR-2008	DINAM DORJI SOCKET 24D POSITION VERTICAL LOW PROFILE CONNECTOR	
FINISH	QUALIFICATION TEST REPORT	LOG	SIZE	DRAWING NO
	WEIGHT	DW	A3	C-1775290
SEE SHEET 1	REVISION RECORD	SCALE	SHEET	REV
LTR	REVISION RECORD	---	2 OF 3	A

CUSTOMER DRAWING

8 7 6 5 4 3 2 1

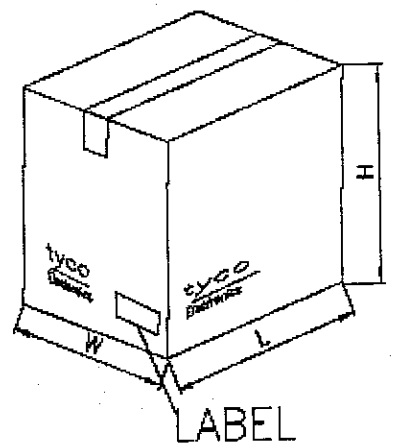
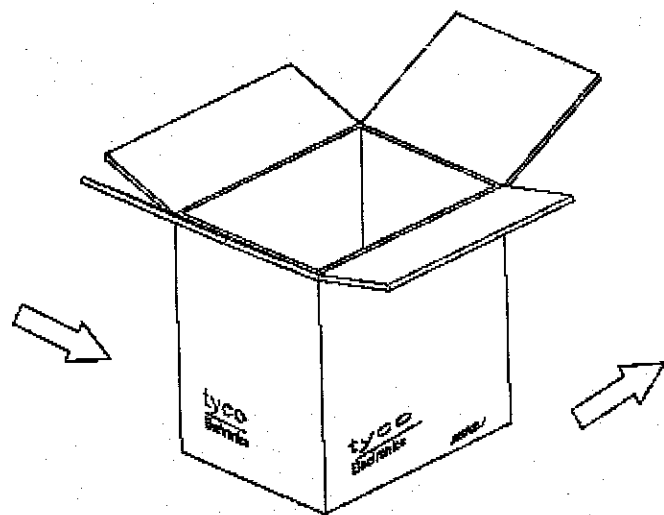
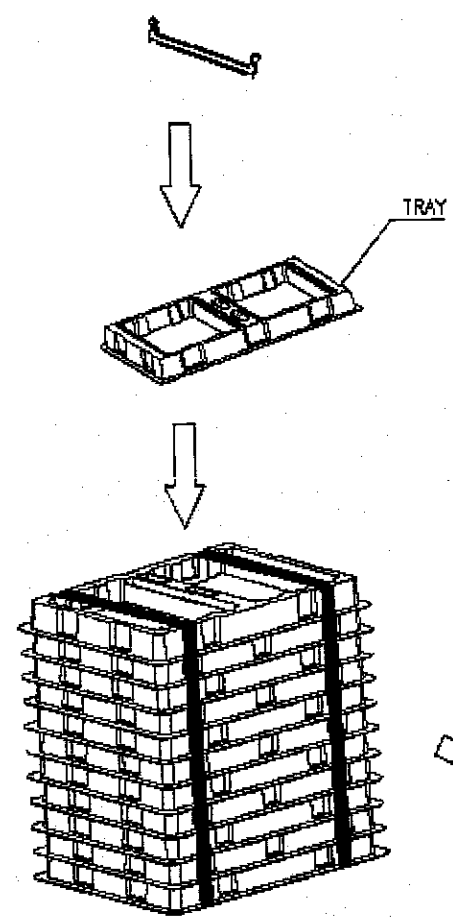
REVISION C-1775290



METRIC

THIS DRAWING IS COMPLETELY UNLAWFUL TO BE USED FOR ANY PURPOSES THAT ARE NOT INTENDED BY THE DRAWING WITHOUT THE WRITTEN AUTHORIZATION OF THE DRAWING OFFICE. ALL DIMENSIONS IN MILLIMETERS. DO NOT SCALE PRINT.

PROJ DW



- NOTE:
1. MATERIAL:
 - 1.1 TRAY: PVC
 - 1.2 SHIPPING CARTON: CORRUGATED FIBERBOARD
 2. DIMENSION:
 - 2.1 TRAY: L=366, W=255, H=33
 - 2.2 SHIPPING CARTON: L=385, W=270, H=365
 3. QUANTITY:
 - 3.1 PRIMARY PACKING: 50 PCS/TRAY
 - 3.2 SECONDARY PACKING: 10 TRAYS/CORTON(500PCS)
 4. WEIGHT:
 - 4.1 NET WEIGHT: 5.9KG
 - 4.2 GROSS WEIGHT: 6.73KG

SEE SHEET 1			
LTR	REVISION RECORD	ECH	DATE

TOLERANCES UNLESS OTHERWISE SPECIFIED:	DWG	S. HCU	tyco TYCO HOLDINGS (BERMUDA) VI LTD. JAWAH BRANCH
0 P/LC ±	30-APR-2008		Electronics
1 P/LC ±	W.L. KE		
2 P/LC ±	22-APR-2008		
3 P/LC ±	W.L. KE		
ANGLES ±	22-APR-2008		
MATERIAL	APVD	W.L. KE	DIMM DORJI SOCKET 24D POSITIGN VERTICAL LOW PROFILE CONNECTOR
SEE NOTE	PRODUCT SPEC		
FINISH	APPLICATION SPEC	LOG	SCALE
SEE NOTE		DW	3
	WEIGHT	DRAWING NO	REV
		C-1775290	A
		SHEET	3 OF 3