



Chipsmall Limited consists of a professional team with an average of over 10 year of expertise in the distribution of electronic components. Based in Hongkong, we have already established firm and mutual-benefit business relationships with customers from,Europe,America and south Asia,supplying obsolete and hard-to-find components to meet their specific needs.

With the principle of “Quality Parts,Customers Priority,Honest Operation,and Considerate Service”,our business mainly focus on the distribution of electronic components. Line cards we deal with include Microchip,ALPS,ROHM,Xilinx,Pulse,ON,Everlight and Freescale. Main products comprise IC,Modules,Potentiometer,IC Socket,Relay,Connector.Our parts cover such applications as commercial,industrial, and automotives areas.

We are looking forward to setting up business relationship with you and hope to provide you with the best service and solution. Let us make a better world for our industry!



Contact us

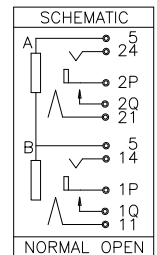
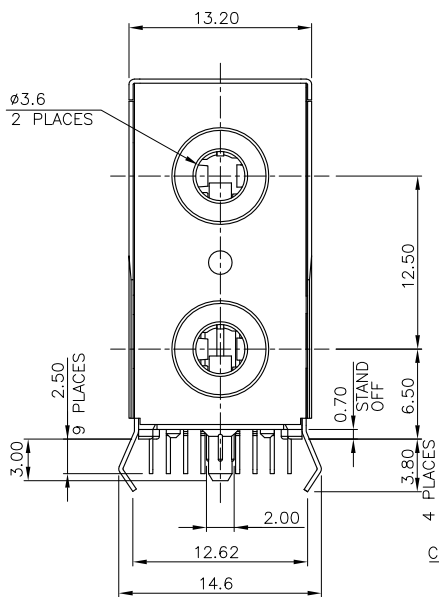
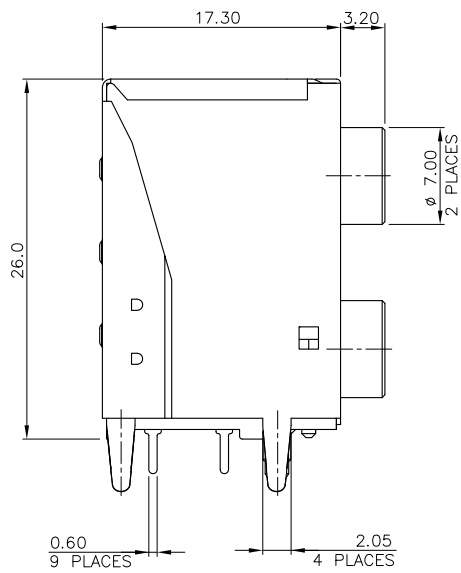
Tel: +86-755-8981 8866 Fax: +86-755-8427 6832

Email & Skype: info@chipsmall.com Web: www.chipsmall.com

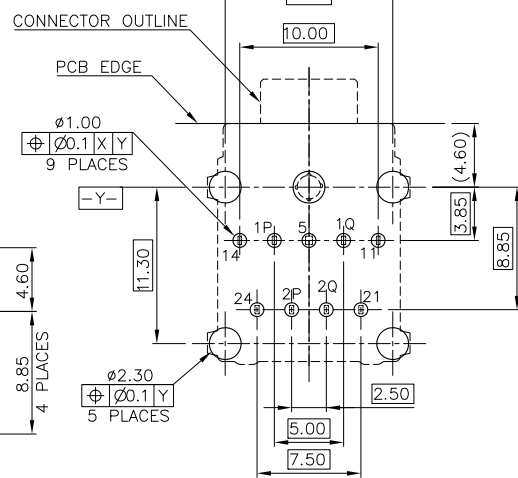
Address: A1208, Overseas Decoration Building, #122 Zhenhua RD., Futian, Shenzhen, China



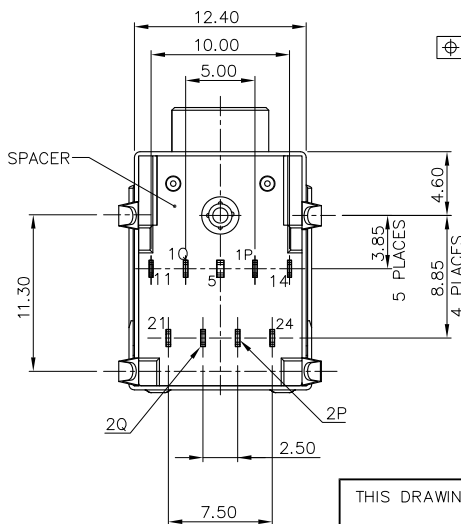
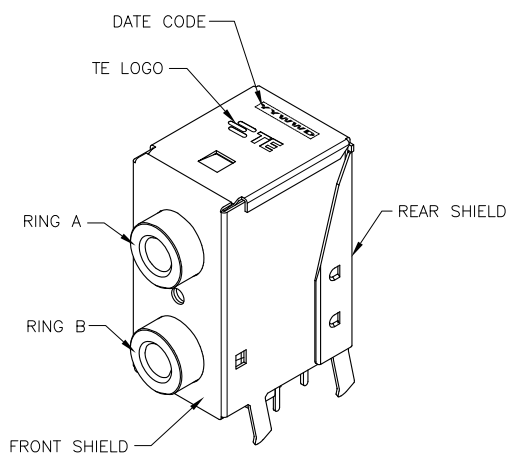
LOC	DIST	REVISIONS					
DW		P	LTR	DESCRIPTION	DATE	DWN	APVD
		G		ECR-12-020181	21NOV12	AW	WK



- NOTES:
- MATERIAL:
 - HOUSING/SPACER/INSULATOR: PA10T W/ 27% GF, UL94 V-0, BLACK COLOR.
 - RING A & B: PA10T W/ 45% GF, UL94 V-0, COLOR: (SEE TABLE).
 - RING CONTACT (# 11/21): PHOSPHOR BRONZE.
 - TIP CONTACT (# 14/24): PHOSPHOR BRONZE.
 - CN CONTACT (# 1P/2P): BRASS.
 - CS CONTACT (# 1Q/2Q): PHOSPHOR BRONZE.
 - GND CONTACT (# 5): BRASS.
 - BRIDGE CONTACT: BRASS.
 - FRONT SHIELD: SPCC.
 - REAR SHIELD: SPCC.
 - FINISH:
 - CONTACTS (# 11/21/14/24/5/1P/2P):
 2.54µm [100µ"] MIN. BRIGHT-TIN PLATING OVER
 1.27µm [50µ"] MIN. NICKEL ON ENTIRE CONTACT.
 - BRIDGE CONTACTS (# 1Q/2Q/1P/2P):
 GOLD FLASH PLATING ON CONTACT AREA,
 1.27µm [50µ"] MIN. NICKEL UNDERPLATED OVERALL.
 - FRONT SHIELD:
 1.27µm [50µ"] MIN. NICKEL PLATING OVER
 2.54µm [100µ"] MIN. COPPER ON ENTIRE FRONT SHIELD.
 - REAR SHIELD:
 1.27µm [50µ"] MIN. NICKEL PLATING OVER
 1.524µm [60µ"] MIN. COPPER ON ENTIRE REAR SHIELD.
 - REFLOW SOLDER CAPABLE TO 260°C PER TEC-109-201, METHOD B, CONDITION B.
 - NO PIN MARK ON THE PRODUCT.
 - SUBSTANCE RESTRICTIONS FOR LOW HALOGEN (BY WEIGHT):
 - BROMINE (Br) ≤ 900 PPM (0.09%)
 - CHLORINE (Cl) ≤ 900 PPM (0.09%)
 - TOTAL CONCENTRATION OF CHLORINE (Cl) + BROMINE (Br) ≤ 1500 PPM (0.15%)



TOLERANCE: ±0.05, THICKNESS: 1.6
 RECOMMENDED PCB LAYOUT
 (TOP VIEW)



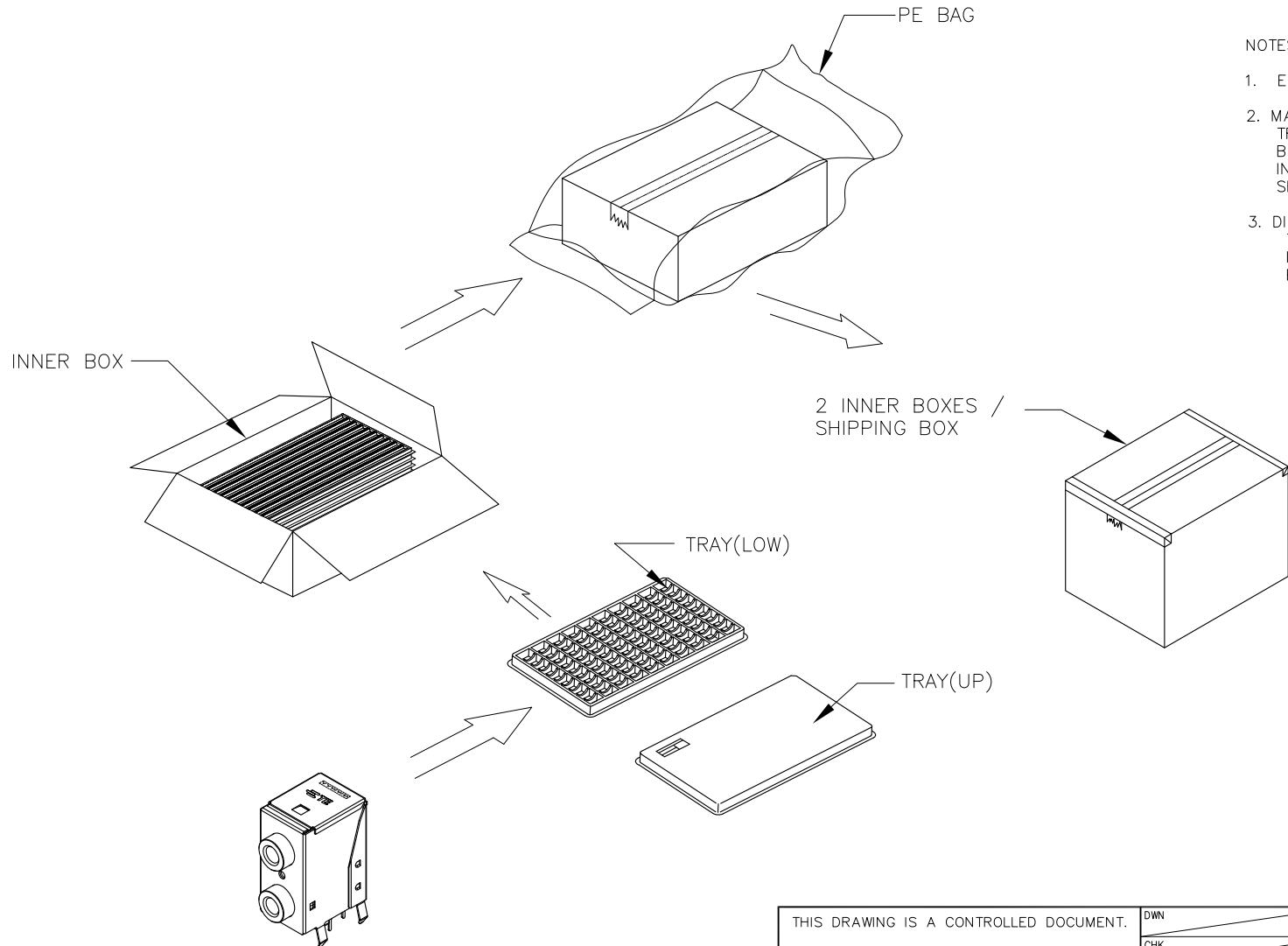
OBSOLETE	BLACK	BLACK	6-1775390-6
	LIME/577C	BLUE/284C	4-1775390-1
	LIME/577C	BLUE/284C	2-1775390-1
	GRAY/422C	BLACK/426C	1775390-5
	ORANGE/157C	LIME/577C	1775390-4
OBSOLETE	BLUE/284C	PINK/701C	1775390-3
	PINK/701C	LIME/577C	1775390-2
OBSOLETE	LIME/577C	BLUE/284C	1775390-1
	JACK B	JACK A	
	HOUSING COLOR		PART NUMBER

THIS DRAWING IS A CONTROLLED DOCUMENT.		DWN	A. WU	21NOV2012	TE Connectivity
		CHK	S. CHIEN	21NOV2012	
		APVD	W. KODAMA	21NOV2012	NAME
		PRODUCT SPEC			STACKED Ø3.5 EARPHONE JACK
		108-57516			
		APPLICATION SPEC			SIZE
		-			CAGE CODE
		WEIGHT 9.65 GRAM			DRAWING NO
		CUSTOMER DRAWING			RESTRICTED TO
		SCALE			SHEET 1 OF 2
		REV G			

DIMENSIONS:	TOLERANCES UNLESS OTHERWISE SPECIFIED:
MM	
	0 PLC ± -
	1 PLC ± 0.3
	2 PLC ± 0.2
	3 PLC ± 0.15
	4 PLC ± -
	ANGLES ± 3°
MATERIAL	FINISH
SEE NOTE	SEE NOTE

THIS DRAWING IS UNPUBLISHED. RELEASED FOR PUBLICATION AUG ,2006.
 © COPYRIGHT 2012 BY TE CONNECTIVITY. ALL RIGHTS RESERVED.

LOC DW	DIST	REVISIONS			
P	LTR	DESCRIPTION	DATE	DWN	APVD
		SEE SHEET 1.			



- NOTES:
- EACH BAG SHALL BE INCLUDED DESICCANT.
 - MATERIAL:
 TRAY: PVC.
 BAG: PE.
 INNER BOX: CORRUGATED FIBERBOARD.
 SHIPPING BOX: CORRUGATED FIBERBOARD.
 - DIMENSION:
 TRAY: 412 X 226 mm.
 INNER BOX: L= 422mm, W= 238mm, H= 114mm.
 BOX: L= 495mm, W= 435mm, H= 140mm.

11.5	9.65	100	5	2	1000
G/W (Kg)	N/W (Kg)	PCS/ TRAY	TRAYS/ BOX	INNER BOXES/ BOX	QUANTITY (PCS)

THIS DRAWING IS A CONTROLLED DOCUMENT.		DWN	STE TE Connectivity		
DIMENSIONS: MM		CHK			
TOLERANCES UNLESS OTHERWISE SPECIFIED:		APVD	NAME		
0 PLC ± -		PRODUCT SPEC	STACKED 03.5 EARPHONE JACK		
1 PLC ± -		APPLICATION SPEC	SIZE	CAGE CODE	DRAWING NO
2 PLC ± -		WEIGHT	A3	00779	©=1775390
3 PLC ± -		CUSTOMER DRAWING	RESTRICTED TO		
4 PLC ± -			SCALE		SHEET 2 OF 2
ANGLES ± -			REV		G
FINISH					