



Chipsmall Limited consists of a professional team with an average of over 10 year of expertise in the distribution of electronic components. Based in Hongkong, we have already established firm and mutual-benefit business relationships with customers from,Europe,America and south Asia,supplying obsolete and hard-to-find components to meet their specific needs.

With the principle of “Quality Parts,Customers Priority,Honest Operation,and Considerate Service”,our business mainly focus on the distribution of electronic components. Line cards we deal with include Microchip,ALPS,ROHM,Xilinx,Pulse,ON,Everlight and Freescale. Main products comprise IC,Modules,Potentiometer,IC Socket,Relay,Connector.Our parts cover such applications as commercial,industrial, and automotives areas.

We are looking forward to setting up business relationship with you and hope to provide you with the best service and solution. Let us make a better world for our industry!



Contact us

Tel: +86-755-8981 8866 Fax: +86-755-8427 6832

Email & Skype: info@chipsmall.com Web: www.chipsmall.com

Address: A1208, Overseas Decoration Building, #122 Zhenhua RD., Futian, Shenzhen, China



4

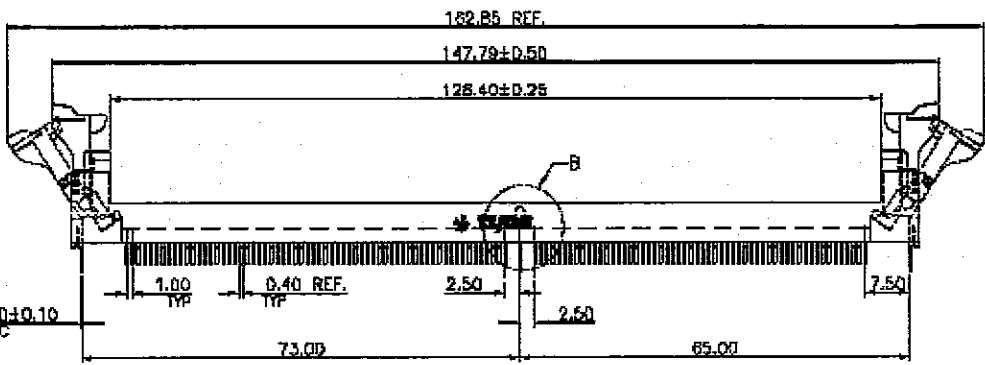
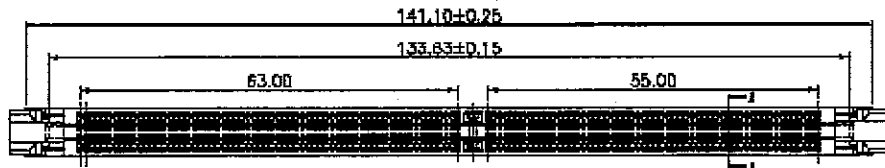
3

2

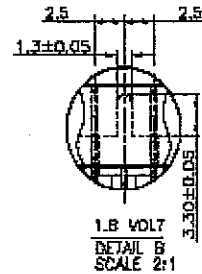
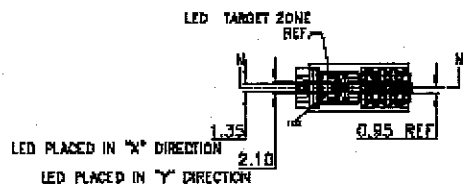
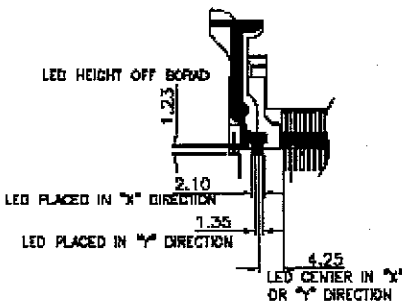
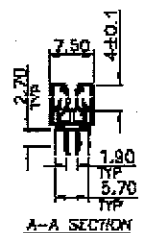
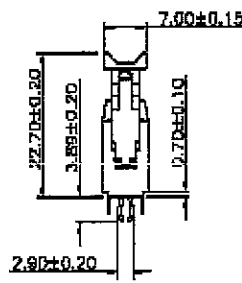
1

THIS DRAWING IS UNPUBLISHED. RELEASED FOR PUBLICATION
 BY TYCO ELECTRONICS CORPORATION. ALL RIGHTS RESERVED.

REVISIONS				
REV	DATE	DESCRIPTION	DATE	BY
A	FIRST RELEASED		22NOV06	HH WK



- NOTES:
 1. MATERIAL:
 1.1 HOUSING: THERMOPLASTIC(PA66), UL94V-0; COLOR:SEE TABLE.
 1.2 EXTRACTOR: THERMOPLASTIC (PC), UL94V-0; COLOR:TRANSPARENT.
 1.3 CONTACTS: BRASS
 1.4 BOARDLOCK: BRASS
 2. FINISH:
 2.1 CONTACTS:
 GOLD PLATING ON CONTACT AREA,
 2.54µm [100µ"MIN] MATTE TIN PLATING ON SOLDER TAIL AREA,
 1.27µm [50µ"MIN] NICKEL PLATING OVERALL.
 2.2 BOARDLOCK:
 1.27µm [50µ"MIN] NICKEL UNDERPLATING OVERALL.
 LED LOCATION AS APPLICABLE PER CUSTOMER.
 4. WAVE SOLDER CAPABLE TO 285°C PER TYCO SPEC. 169-2D2, CONDITION B.



WHITE	0.782µm (30u")	1-	-3
	0.381µm (15u")	1-	-2
BLACK	GOLD FLASH	1-	-1
	0.782µm (30u")		-3
HSC. COLOR	0.381µm (15u")		-2
	GOLD FLASH	1775427-1	
	GOLD PLATING		PART NUMBER

THIS DRAWING IS A CONTROLLED DOCUMENT.

DIMENSIONS: MM 	TOLERANCES UNLESS OTHERWISE SPECIFIED: 0 PLC ± - 1 PLC ± 0.25 2 PLC ± 0.30 3 PLC ± 0.15 4 PLC ANGLES ± -	DWG: H. HUANG CHK: S. HOU APD: W.J. KE PRODUCT SPEC: 108-57636 QUALIFICATION TEST REPORT: 501-57741 MATERIAL: SEE NOTE FINISH: SEE NOTE	DATE: 22NOV2006 DATE: 22NOV2006 DATE: 22NOV2006 NAME: DIMM DDRII SOCKET 240P WITH TRANSPARENT LATCH SIZE: A3 DATE CODE: 00779 DRAWING NO: C=1775427 RESTRICTED TO: - SCALE: - SHEET: 1 of 3 REV: A
-----------------------	---	---	--

TYCO Electronics Tyco Holdings (Bermuda) VI Ltd. Taiwan Branch

CUSTOMER DRAWING

4

3

2

1

THIS DRAWING IS UNCLASSIFIED

RESTRICTED FOR PUBLICATION

COPYRIGHT © BY TYCO ELECTRONICS CORPORATION. ALL RIGHTS RESERVED.

LOG

DIST

REVISIONS

DW

P

LTR

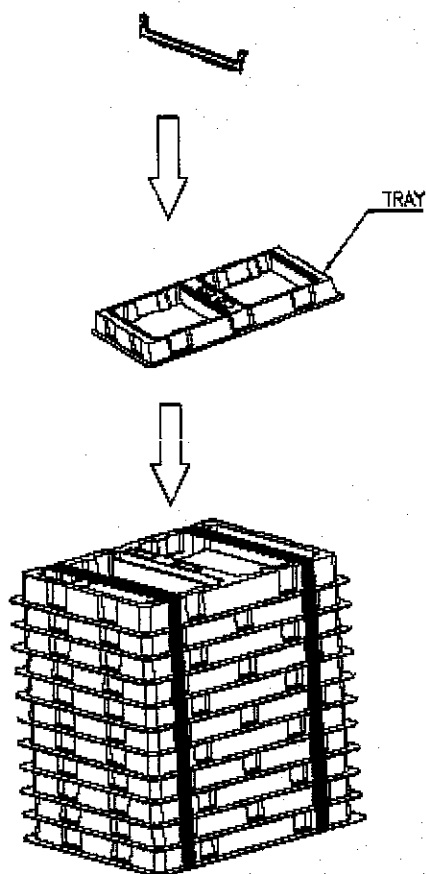
DESCRIPTION

DATE

BY

JOB

SEE SHEET 1.



NOTE:

1. DIMENSION:

TRAY: L = 365, W = 255, H = 33

CARTON: L = 385, W = 270, H = 365

2. QUANTITY:

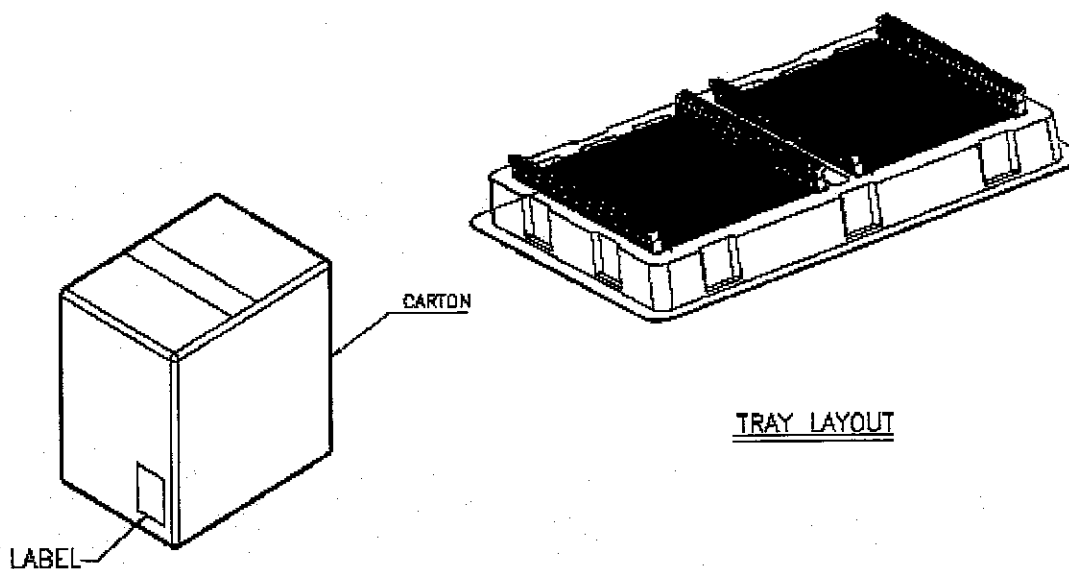
50 PCS/TRAY

10 TRAYS/CARTON (500 PCS/CARTON)

3. WEIGHT:

NET WEIGHT: 5.0KG

GROSS WEIGHT: 7.0KG



THIS DRAWING IS A CONTROLLED DOCUMENT.

DATE

H. HUANG

2010/05/03

tyco

Tyco Holdings (Bermuda)

Electronics

VI Ltd. Taiwan Branch

DIMENSIONS:

TOLERANCES UNLESS OTHERWISE SPECIFIED:

MM

0 P/LC	±
1 P/LC	±
2 P/LC	±
3 P/LC	±
4 P/LC	±
ANGLES	±



MATERIAL

FINISH

NAME

W. J. KE

PROJECT SPEC

-

APPLICATION SPEC

-

WEIGHT

-

CUSTOMER DRAWING

SIZE

DATE CODE

DRAWING NO

A3 00779

C-1775427

RESTRICTED TO

-

SCALE

-

SHEET

3 OF 3

REV

A