



Chipsmall Limited consists of a professional team with an average of over 10 year of expertise in the distribution of electronic components. Based in Hongkong, we have already established firm and mutual-benefit business relationships with customers from,Europe,America and south Asia,supplying obsolete and hard-to-find components to meet their specific needs.

With the principle of “Quality Parts,Customers Priority,Honest Operation,and Considerate Service”,our business mainly focus on the distribution of electronic components. Line cards we deal with include Microchip,ALPS,ROHM,Xilinx,Pulse,ON,Everlight and Freescale. Main products comprise IC,Modules,Potentiometer,IC Socket,Relay,Connector.Our parts cover such applications as commercial,industrial, and automotives areas.

We are looking forward to setting up business relationship with you and hope to provide you with the best service and solution. Let us make a better world for our industry!



Contact us

Tel: +86-755-8981 8866 Fax: +86-755-8427 6832

Email & Skype: info@chipsmall.com Web: www.chipsmall.com

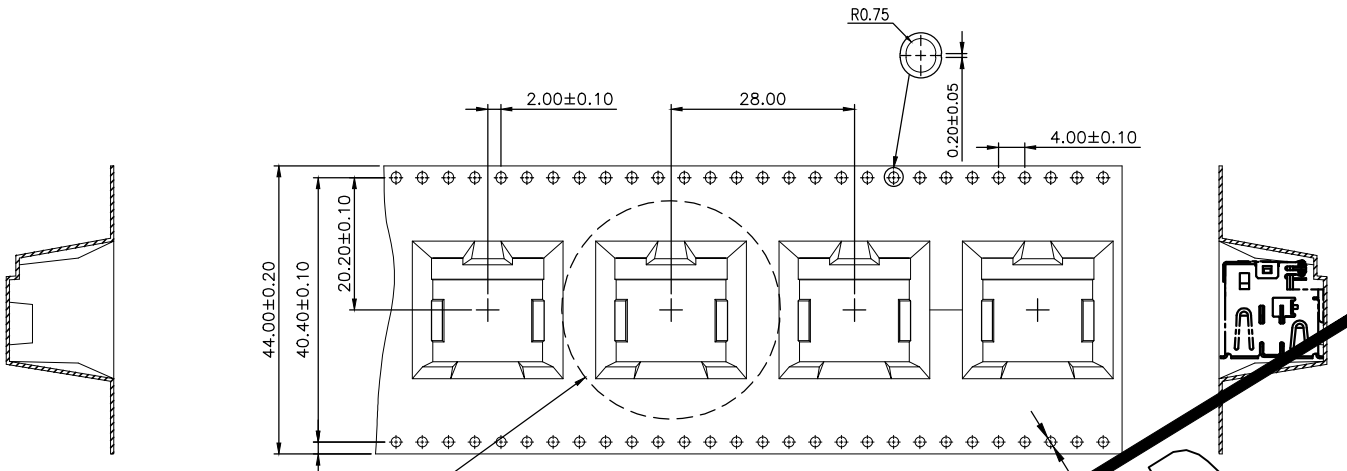
Address: A1208, Overseas Decoration Building, #122 Zhenhua RD., Futian, Shenzhen, China



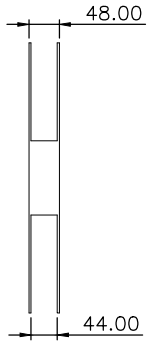
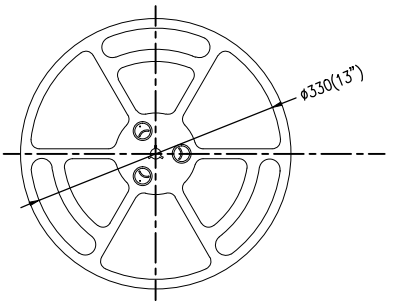
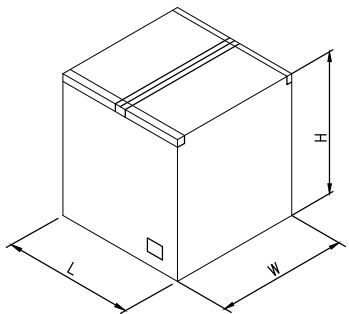
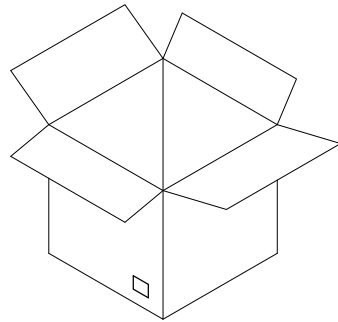
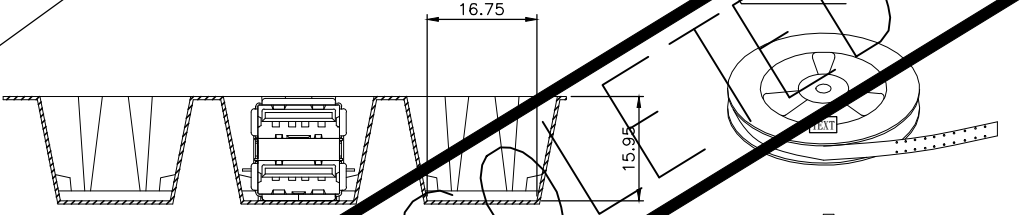
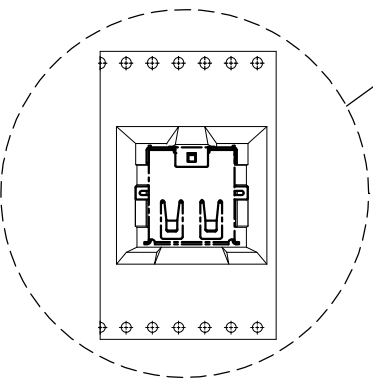
THIS DRAWING IS UNPUBLISHED. RELEASED FOR PUBLICATION AUG , 2006.

© COPYRIGHT - BY TYCO ELECTRONICS CORPORATION. ALL RIGHTS RESERVED.

LOC	DIST	REVISIONS					
DW		P	LTR	DESCRIPTION	DATE	DWN	APVD
				SEE SHEET 1.			



- NOTES:
- MATERIAL:
REEL: PS
EMBOSSED CARRIER: PS
COVER TAPE: PBT
 - DIMENSION:
TAPE REEL: Ø330mmX37.1mm
SHIPPING CARTON: L=350mm W=350mm H=350mm
 - QUANTITY:
PRIMARY PACKING: 150 PCS/REEL
SECONDARY PACKING: 7 REELS CARTON(1,050PCS)
 - WEIGHT:
NET WEIGHT: 0.60KG/REEL, 4.2KG/SHIPPING CARTON.
GROSS WEIGHT: 0.75KG/REEL, 5.3KG/SHIPPING CARTON.
 - PEELING RESISTANCE: 16gf TO 102gf.
 - PEELING SPEED: 300MM/MIN.



OBSOLETE

THIS DRAWING IS A CONTROLLED DOCUMENT.		DWN _____		TE TE Connectivity			
DIMENSIONS: MM		CHK _____					
TOLERANCES UNLESS OTHERWISE SPECIFIED:		APVD _____		NAME			
0 PLC ± -		PRODUCT SPEC		USB CONNECTOR, A SERIES, STACKED, OFFSET TYPE			
1 PLC ± -		APPLICATION SPEC					
2 PLC ± -		WEIGHT		SIZE	CAGE CODE	DRAWING NO	RESTRICTED TO
3 PLC ± -		CUSTOMER DRAWING		A3	00779	C=1775462	
4 PLC ± -		SCALE		SHEET		REV	
ANGLES ± -		-		2 OF 2		A2	
FINISH							