



Chipsmall Limited consists of a professional team with an average of over 10 year of expertise in the distribution of electronic components. Based in Hongkong, we have already established firm and mutual-benefit business relationships with customers from,Europe,America and south Asia,supplying obsolete and hard-to-find components to meet their specific needs.

With the principle of “Quality Parts,Customers Priority,Honest Operation,and Considerate Service”,our business mainly focus on the distribution of electronic components. Line cards we deal with include Microchip,ALPS,ROHM,Xilinx,Pulse,ON,Everlight and Freescale. Main products comprise IC,Modules,Potentiometer,IC Socket,Relay,Connector.Our parts cover such applications as commercial,industrial, and automotives areas.

We are looking forward to setting up business relationship with you and hope to provide you with the best service and solution. Let us make a better world for our industry!



Contact us

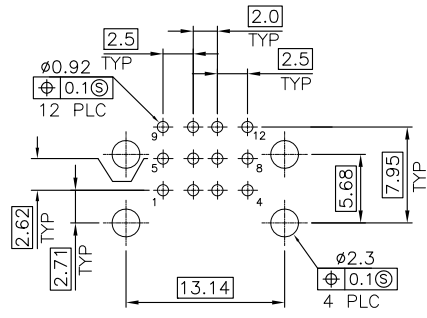
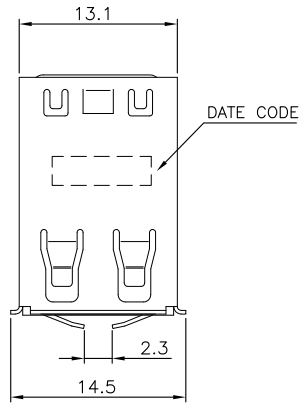
Tel: +86-755-8981 8866 Fax: +86-755-8427 6832

Email & Skype: info@chipsmall.com Web: www.chipsmall.com

Address: A1208, Overseas Decoration Building, #122 Zhenhua RD., Futian, Shenzhen, China



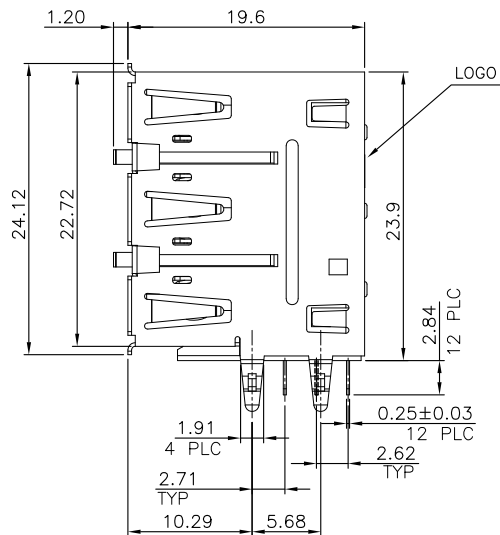
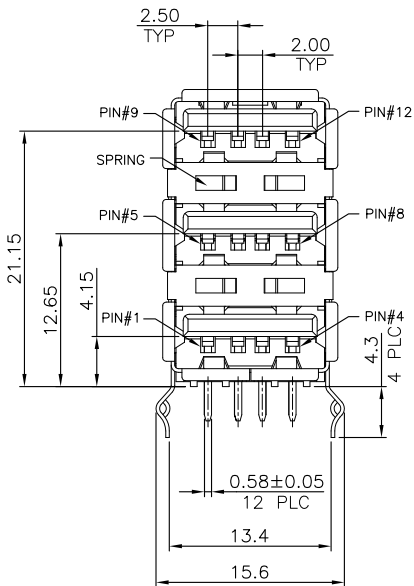
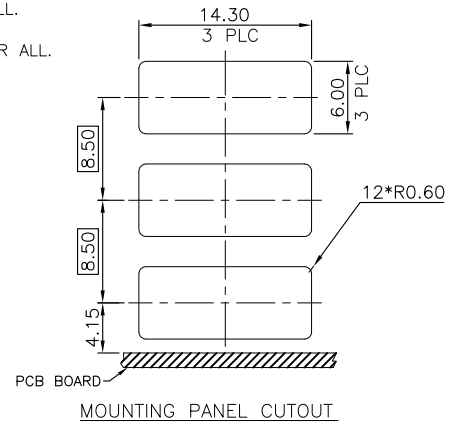
LOC	DIST	REVISIONS			
P	LTR	DESCRIPTION	DATE	DWN	APVD
DW		B2	REVISED (ECR-14-003928)	19MAR14	SW SC



RECOMMENDED P.C.B LAYOUT
 TOLERANCE: ±0.05

NOTES:

- MATERIAL:
 HOUSING: THERMOPLASTIC (PA6T) WITH 30% GF, UL 94V-0, COLOR: SEE TABLE.
 CONTACTS: PHOSPHOR BRONZE.
 FRONT SHELL: PHOSPHOR BRONZE.
 REAR SHELL: SPCC.
 SPRING: PHOSPHOR BRONZE.
- FINISH:
 CONTACTS: GOLD PLATED (SEE TABLE) ON CONTACT AREA, 2.54um[100u"] MIN. BRIGHT-TIN PLATING ON SOLDER TAILS, 1.27um [50u"] MIN. NICKEL UNDERPLATED OVER ALL.
 FRONT SHELL: 2.54um[100u"] MIN. BRIGHT-TIN PLATING, 1.27um [50u"] MIN. NICKEL UNDERPLATED OVER ALL.
 REAR SHELL: 1.27um [50u"] MIN. NICKEL PLATING.
 SPRING: 1.27um [50u"] MIN. NICKEL PLATING.
- RECOMMENDED PCB THICKNESS: 1.6mm.
- WAVE SOLDER CAPABLE TO 265°C PER TE TEST SPEC. 109-202, CONDITION B.



OBSOLETE	BEIGE (726C)	0.762um (30u")	1775615-8-
OBSOLETE	BLACK (426C)	0.762um (30u")	1775615-7-
OBSOLETE	BEIGE (726C)	0.381um (15u")	1775615-6-
OBSOLETE	BLACK (426C)	0.381um (15u")	1775615-5-
OBSOLETE	BEIGE (726C)	0.127um (5u")	1775615-4-
OBSOLETE	BLACK (426C)	0.127um (5u")	1775615-3-
OBSOLETE	BEIGE (726C)	0.0254um (1u")	1775615-2-
	BLACK (426C)	0.0254um (1u")	1775615-1-
	HOUSING COLOR	MIN. GOLD THICKNESS	PART NUMBER

THIS DRAWING IS A CONTROLLED DOCUMENT.		DWN H. HUANG 21MAR2007	TE Connectivity	
DIMENSIONS: mm		CHK S. HOU 21MAR2007		
TOLERANCES UNLESS OTHERWISE SPECIFIED:		APVD W.J. KE 21MAR2007	NAME	
		PRODUCT SPEC 108-57519	TRIPLE STACKED USB, A TYPE R/A, RECEPTACLE, DIP CONNECTOR	
MATERIAL SEE NOTE		FINISH SEE NOTE	APPLICATION SPEC	RESTRICTED TO
		WEIGHT 9.2 GRAMS	SIZE A3	CAGE CODE 00779
		CUSTOMER DRAWING	DRAWING NO C=1775615	SCALE 1 OF 2
			SHEET	REV B2

THIS DRAWING IS UNPUBLISHED.

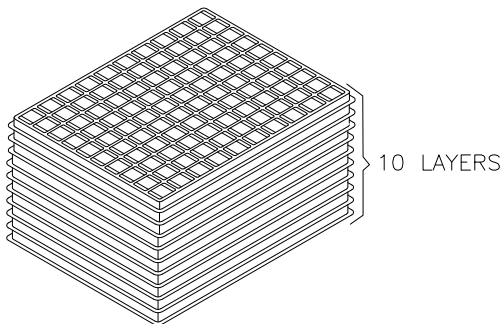
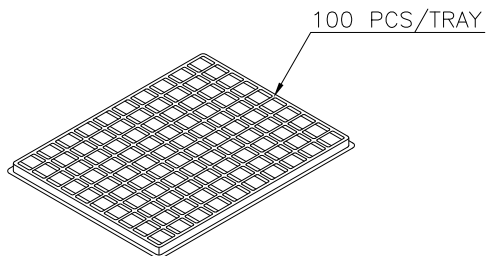
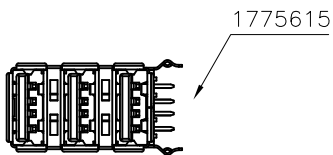
RELEASED FOR PUBLICATION

© COPYRIGHT 2011 BY TYCO ELECTRONICS CORPORATION. ALL RIGHTS RESERVED.

LOC DW DIST

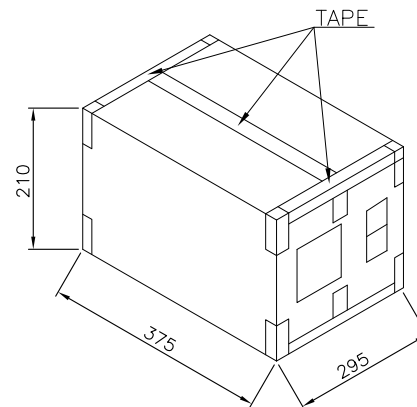
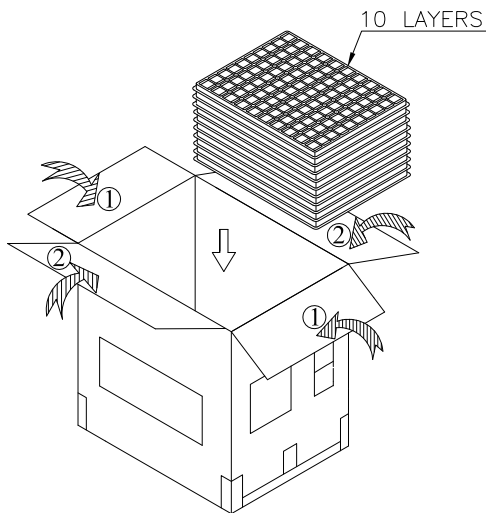
REVISIONS

P	LTR	DESCRIPTION	DATE	DWN	APVD
		SEE SHEET 1.			



NOTES:

- 1. DIMENSION:
TRAY: L= 360, W=280, H=25
SHIPPING CARTON: L= 375, W=295, H=210
- 2. QUANTITY: (SEE TABLE)
- 3. CARTON WEIGHT: (SEE TABLE)



13.0 Kg	12.0 Kg	100	10	1000 PCS
GROSS WEIGHT	NET WEIGHT	PCS/TRAY	TRAYS /CARTON	QUANTITY

THIS DRAWING IS A CONTROLLED DOCUMENT.

DIMENSIONS: mm 	TOLERANCES UNLESS OTHERWISE SPECIFIED: 0 PLC ± - 1 PLC ± - 2 PLC ± - 3 PLC ± - 4 PLC ± - ANGLES ± -	DWN	TE Connectivity TRIPLE STACKED USB, A TYPE R/A, RECEPTACLE, DIP CONNECTOR		
		CHK			
MATERIAL	FINISH	APVD	NAME	SIZE	CAGE CODE
		PRODUCT SPEC		A3	00779
		APPLICATION SPEC		C=1775615	
		WEIGHT		DRAWING NO	
		CUSTOMER DRAWING		RESTRICTED TO	
				SCALE	SHEET
					2 OF 2
					REV B2