



Chipsmall Limited consists of a professional team with an average of over 10 year of expertise in the distribution of electronic components. Based in Hongkong, we have already established firm and mutual-benefit business relationships with customers from,Europe,America and south Asia,supplying obsolete and hard-to-find components to meet their specific needs.

With the principle of “Quality Parts,Customers Priority,Honest Operation,and Considerate Service”,our business mainly focus on the distribution of electronic components. Line cards we deal with include Microchip,ALPS,ROHM,Xilinx,Pulse,ON,Everlight and Freescale. Main products comprise IC,Modules,Potentiometer,IC Socket,Relay,Connector.Our parts cover such applications as commercial,industrial, and automotives areas.

We are looking forward to setting up business relationship with you and hope to provide you with the best service and solution. Let us make a better world for our industry!



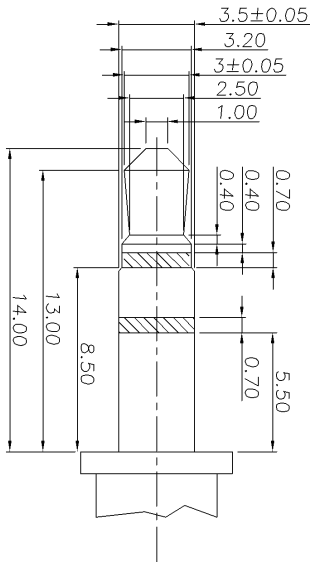
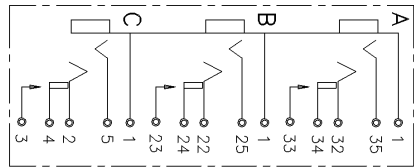
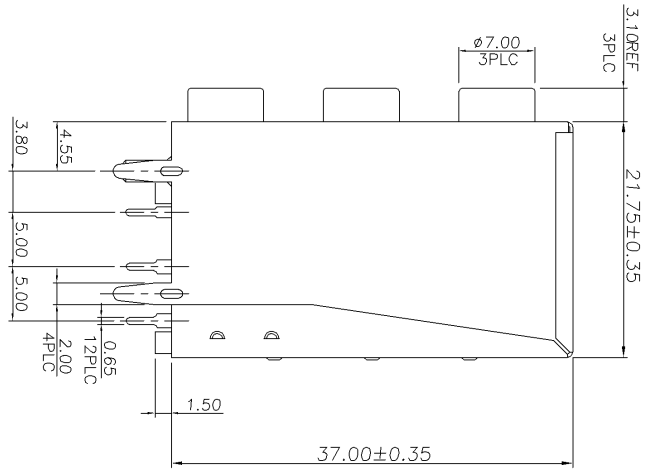
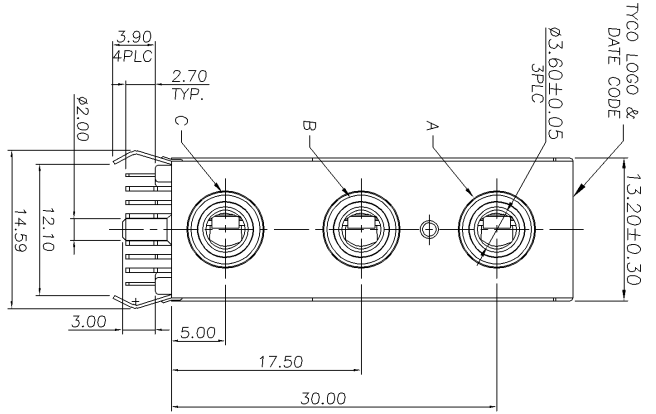
Contact us

Tel: +86-755-8981 8866 Fax: +86-755-8427 6832

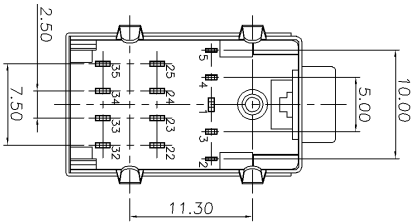
Email & Skype: info@chipsmall.com Web: www.chipsmall.com

Address: A1208, Overseas Decoration Building, #122 Zhenhua RD., Futian, Shenzhen, China

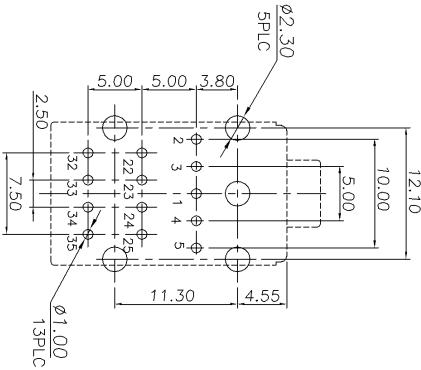




RECOMMENDED PLUG DRAWING
SCALE: 2:1



RECOMMENDED PCB LAYOUT
(TOLERANCE: ±0.05mm)



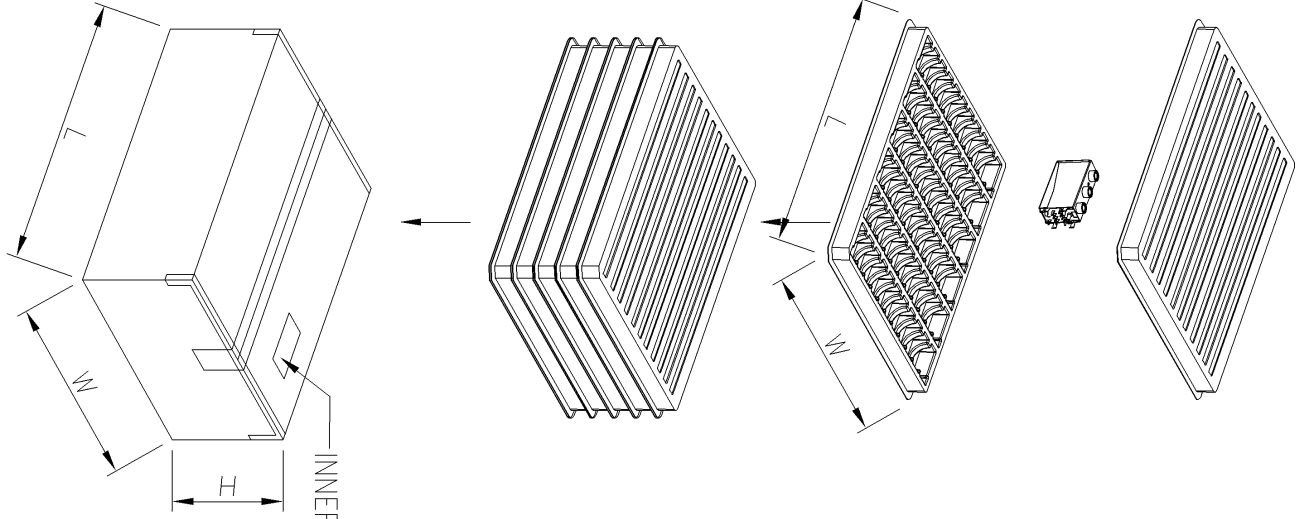
TR	REVISION RECORD	ENR	DW	CHK	DATE
A	REVISED	ECR-06-009162	SH	WK	20APR 2006
O	FIRST RELEASED	FZ00-0332-04	SH	WK	24DEC 2004

FINISH		SEE NOTE	
MATERIAL		SEE NOTE	
TOLERANCES UNLESS OTHERWISE SPECIFIED:		0 PLG ± 0.3 1 PLG ± 0.2 2 PLG ± 0.2 3 PLG ± 0.2 ANGLES ± 3°	
DWN	S. HOU	APVD	W. U. KE
CHK	20-APR-2006	PRODUCT SPEC	108-57377
QUALIFICATION TEST REPORT	501-57409	WEIGHT	19 GRAM
LOC	SCALE	SIZE	DRAWING NO
DW	A3	A3	C-1775824
SHEET	1 OF 2	REV	A

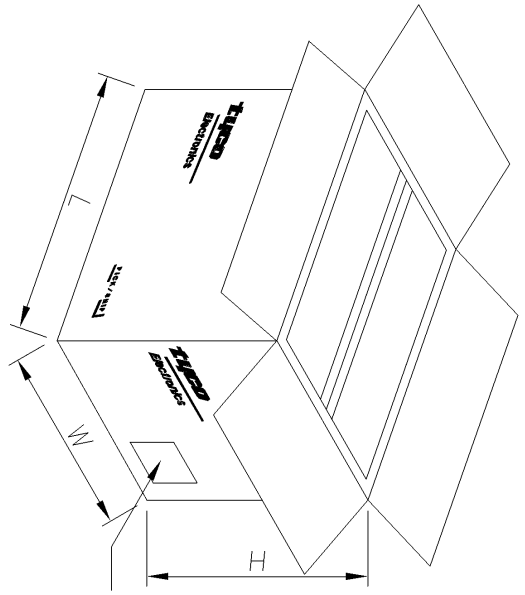
tyco
Electronics
AUDIO JACK
TRIPLE STACKED
DIP TYPE

JACK BARREL COLOR	PART NUMBER
GRAY 423C	1775824-2
BLACK 426C	157C
PINK 701C	577C
BLUE 284C	1775824-1
C B A	

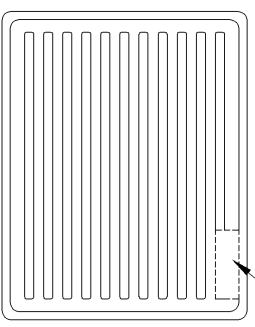
- NOTES:
- MATERIAL:
 - HOUSING COVER&SPACER: THERMOPLASTIC .UL94V-0; COLOR:BLACK.
 - JACK BARREL: THERMOPLASTIC,UL94V-0;COLOR:SEE TABLE
 - T5&SPRING:PHOSPHOR BRONZE.
 - SHELL:BRASS.
 - GROUND:BRASS.
 - TERMINAL:BRASS.
 - SPRING RING:PHOSPHOR BRONZE
 - FINISH:
 - T2:T5:GOLD FLASH ON CONTACT AREA.
 - T1:50U" BRIGHT TIN PLATED ON SOLDER TAIL AREA.
 - T2:50U" MIN. NICKEL UNDERPLATED OVERALL.
 - T3:50U" MIN. NICKEL UNDERPLATED AREA.
 - T4:50U" MIN. NICKEL UNDERPLATED OVERALL.
 - T5:30U"~80U" BRIGHT TIN PLATING.
 - 30~80U" NICKEL UNDER PLATING OVERALL.
 - 2.4 GROUND:100U" MIN. BRIGHT TIN PLATING.
 - 30U"~80U" NICKEL UNDER PLATING OVERALL.
 - 2.5 OTHER:30~80U" BRIGHT TIN PLATED ALL OVER, 80U" NICKEL UNDER PLATING OVERALL.
 - RECOMMENDED PCB THICKNESS : 1.60mm
 - WAVE SOLDER CAPABLE TO 265°C PER TYCO SPEC. 109-202, CONDITION B.



INNER LABEL



CARTON LABEL



TRAY LAYOUT

TRAY LABEL

- NOTES :
1. MATERIAL :
 - 1.1 TRAY: PS WHITE
 - 1.2 INNER CARTON: CORRUGATED FIBERBOARD
 - 1.3 SHIPPING CARTON: CORRUGATED FIBERBOARD
 2. DIMENSION:
 - 2.1 TRAY: L=345mm, W=280mm, H=26mm
 - 2.2 INNER CARTON: L=350mm, W=285mm, H=155mm
 - 2.3 SHIPPING CARTON: L=365mm, W=300mm, H=335mm
 3. QUANTITY:
 - 3.1 PRIMARY PACKING: 66 PCS/TRAY
 - 3.2 SECONDARY PACKING: 5 TRAYS/INNER CARTON(330PCS)
 - 3.3 SECONDARY PACKING: 2 INNERS/CARTON(660PCS)
 4. WEIGHT:
 - 4.1 NET WEIGHT: 12.5Kg
 - 4.2 GROSS WEIGHT: 14.5Kg

8
7
6
5
4
3
2
1

LTR	SEE SHEET 1	ECN	DATE
REVISION RECORD		DWY	CHK

FINISH		SEE NOTE	
TOLERANCES UNLESS OTHERWISE SPECIFIED:			
0 P/C	±	S. HOU	20-APR-2006
1 P/C	±	W. J. KE	20-APR-2006
2 P/C	±	W. J. KE	20-APR-2006
3 P/C	±	W. J. KE	20-APR-2006
ANGLES #	±		
MATERIAL			
SEE NOTE		AUDIO JACK TRIPLE STACKED DIP TYPE	
PRODUCT SPEC		AUDIO JACK TRIPLE STACKED DIP TYPE	
QUALIFICATION TEST REPORT		AUDIO JACK TRIPLE STACKED DIP TYPE	
WEIGHT		AUDIO JACK TRIPLE STACKED DIP TYPE	
SCALE		AUDIO JACK TRIPLE STACKED DIP TYPE	
LOC		AUDIO JACK TRIPLE STACKED DIP TYPE	
SIZE		AUDIO JACK TRIPLE STACKED DIP TYPE	
DRAWING NO		AUDIO JACK TRIPLE STACKED DIP TYPE	
DW		AUDIO JACK TRIPLE STACKED DIP TYPE	
A3		AUDIO JACK TRIPLE STACKED DIP TYPE	
SCALE		AUDIO JACK TRIPLE STACKED DIP TYPE	
---		AUDIO JACK TRIPLE STACKED DIP TYPE	
SHEET		AUDIO JACK TRIPLE STACKED DIP TYPE	
2 OF 2		AUDIO JACK TRIPLE STACKED DIP TYPE	
REV		AUDIO JACK TRIPLE STACKED DIP TYPE	
A		AUDIO JACK TRIPLE STACKED DIP TYPE	

CUSTOMER DRAWING

A

B

C

D