



Chipsmall Limited consists of a professional team with an average of over 10 year of expertise in the distribution of electronic components. Based in Hongkong, we have already established firm and mutual-benefit business relationships with customers from,Europe,America and south Asia,supplying obsolete and hard-to-find components to meet their specific needs.

With the principle of “Quality Parts,Customers Priority,Honest Operation,and Considerate Service”,our business mainly focus on the distribution of electronic components. Line cards we deal with include Microchip,ALPS,ROHM,Xilinx,Pulse,ON,Everlight and Freescale. Main products comprise IC,Modules,Potentiometer,IC Socket,Relay,Connector.Our parts cover such applications as commercial,industrial, and automotives areas.

We are looking forward to setting up business relationship with you and hope to provide you with the best service and solution. Let us make a better world for our industry!



Contact us

Tel: +86-755-8981 8866 Fax: +86-755-8427 6832

Email & Skype: info@chipsmall.com Web: www.chipsmall.com

Address: A1208, Overseas Decoration Building, #122 Zhenhua RD., Futian, Shenzhen, China



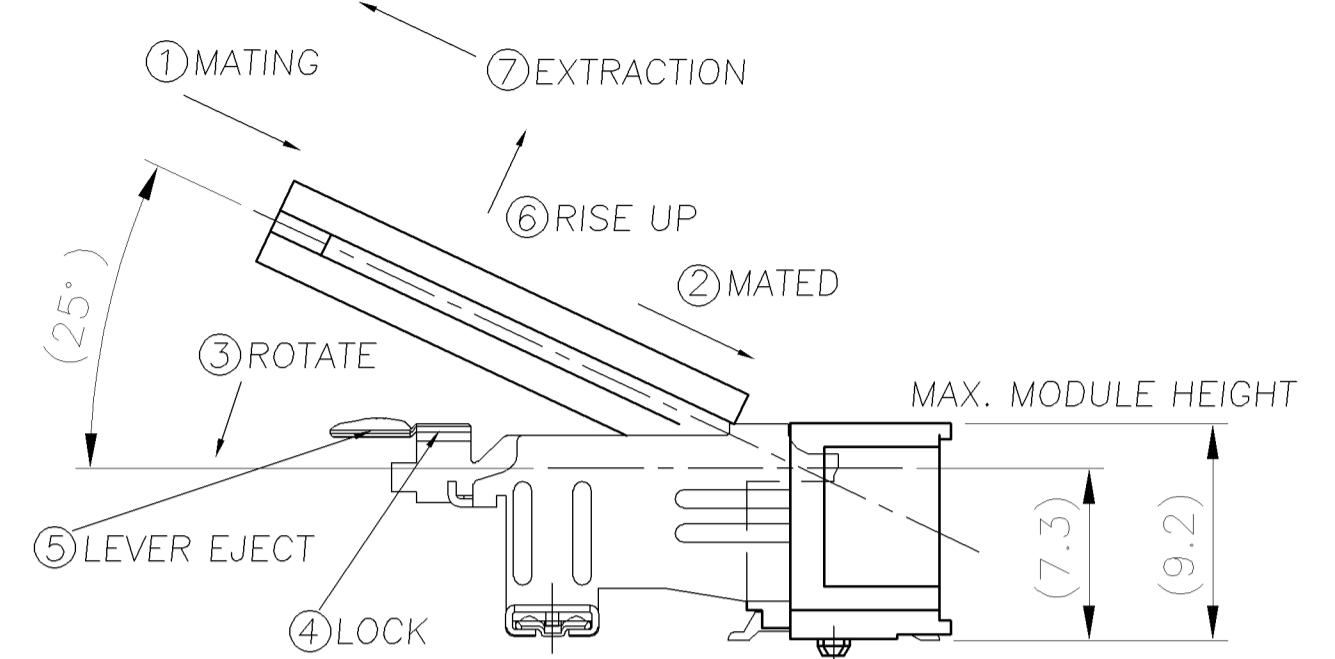
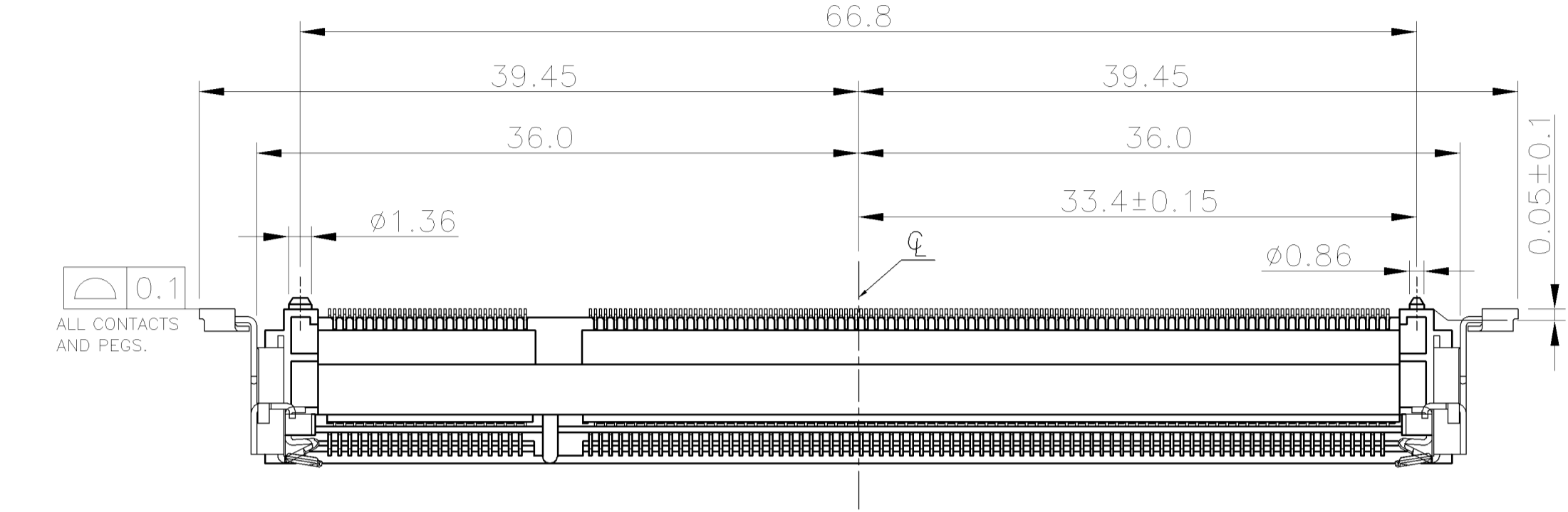
NUMBER
C-1775859

METRIC
3RD ANGLE PROJECTION

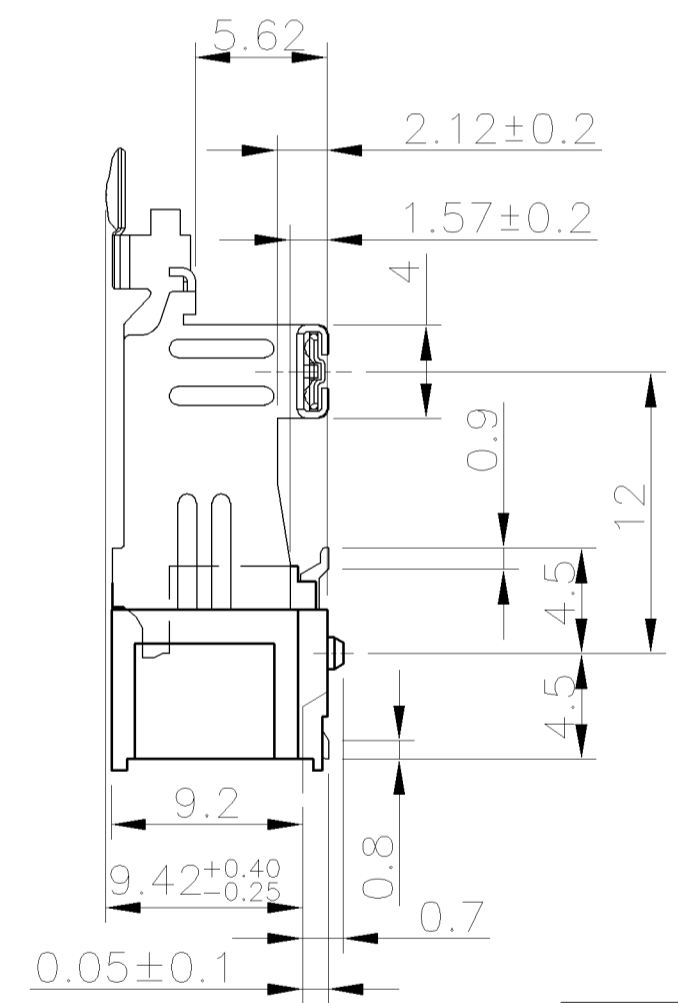
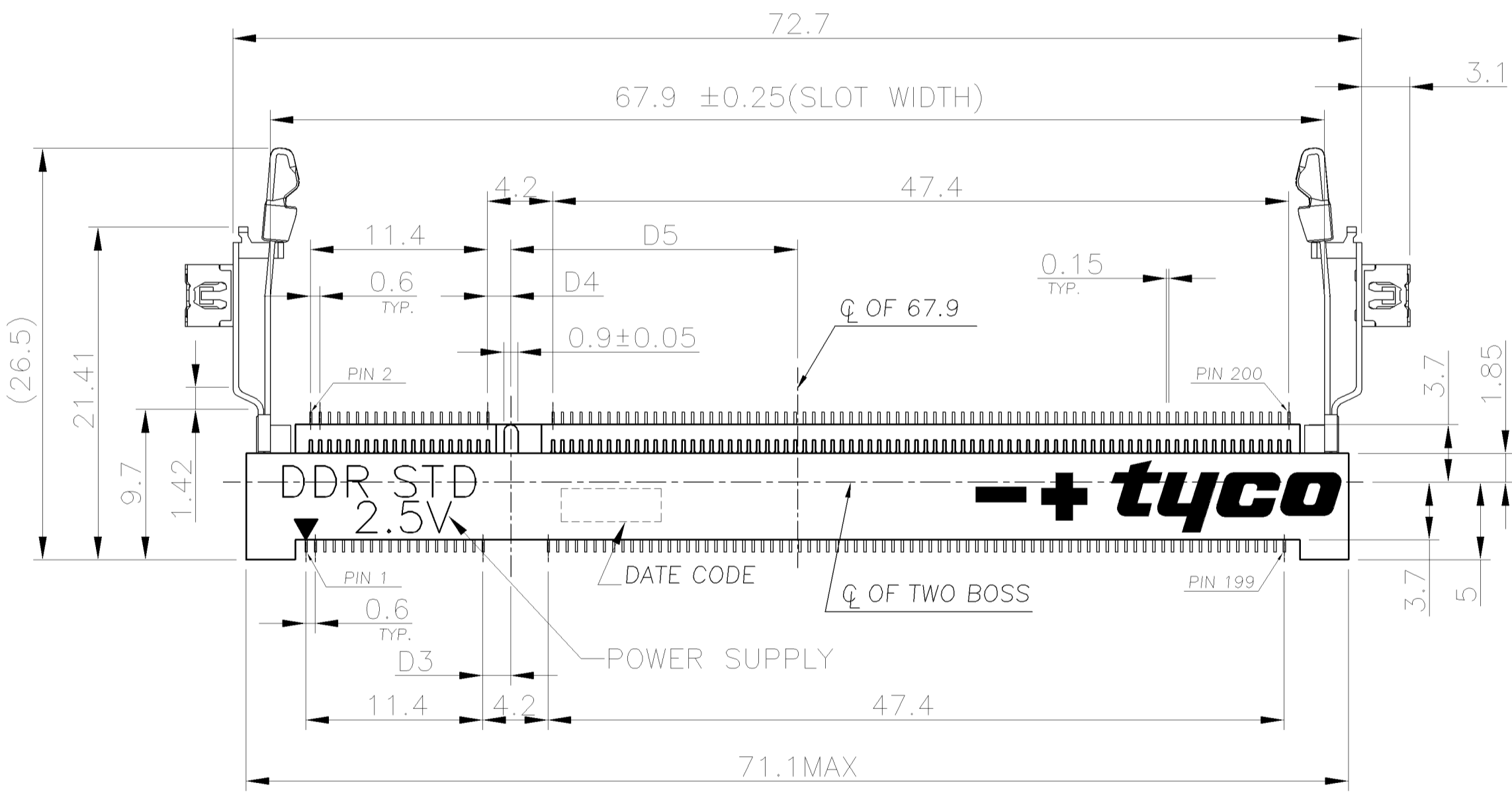
METRIC

THIS INFORMATION IS CONFIDENTIAL AND IS DISCLOSED TO YOU ON CONDITION THAT NO FURTHER DISCLOSURE IS MADE BY YOU TO OTHER THAN AMP PERSONNEL WITHOUT WRITTEN AUTHORIZATION FROM AMP (TAIWAN) LTD. DIMENSIONS IN MILLIMETERS. DO NOT SCALE PRINT.

PRINT DIST
DW



HOW TO MATE AND UNMATE
MATE: ① → ④
UNMATE: ⑤ → ⑦



- NOTES:
- MATERIAL:
 - HOUSING: THERMOPLASTIC, (LCP), UL94V-0; COLOR:BLACK.
 - CONTACTS: COPPER ALLOY
 - LATCH: STAINLESS STEEL
 - SOLDER PEG: BRASS
 - FINISH:
 - CONTACT:
 - 2μ" MIN. Au PALTED ON CONTACT AREA AND SOLDER AREA.
 - 50μ" MIN. NICKEL UNDERPLATING OVERALL.
 - SOLDER PEG:
 - 80μ" MIN. BRIGHT TIN PLATED OVER
 - 50μ" MIN. NICKEL UNDERPLATING OVERALL.
 - RECOMMENDED PCB THICKNESS : 1.2mm
 - REFLOW SOLDER CAPABLE TO 260°C PER TYCO SPEC. 109-201, CONDITION B.

HARD TRAY	2.5V	18.45	1.5	1.8	1775859-2
TAPE/REEL	2.5V	18.45	1.5	1.8	1775859-1
PKG TYPE	PWR. SUP.	D5	D4	D3	PART NUMBER

TOLERANCES UNLESS OTHERWISE SPECIFIED:		DWN S. HOU 15-DEC-2006		tyco TYCO HOLDINGS (BERMUDA) VII LTD. TAIWAN BRANCH Electronics	
0 PLC ± 0.3 1 PLC ± 0.25 2 PLC ± 0.12 3 PLC ± 0.05 ANGLES ± 3'		CHK W.J. KE 15-DEC-2006			
MATERIAL		APVD W.J. KE 15-DEC-2006		DDR S.O. DIMM SOCKET, 200P, 9.2 HEIGHT, SMT. STANDARD TYPE	
SEE NOTE		PRODUCT SPEC 108-57807			
FINISH		QUALIFICATION TEST REPOERT 501-57813		LOC DW	SIZE A ₃
SEE NOTE		WEIGHT 7.8 GRAM		DRAWING NO C-1775859	REV B
		SCALE		SHEET 1 OF 6	

B	ADDED P/N: -2, 1-2	ECR-06-029363	SH WK	15DEC 2006
A	REVISED	ECR-06-006747	SH WK	22MAR 2006
O	FIRST RELEASED	--	SH WK	06JAN 2006
LTR	REVISION RECORD	ECN	DWN CHK	DATE

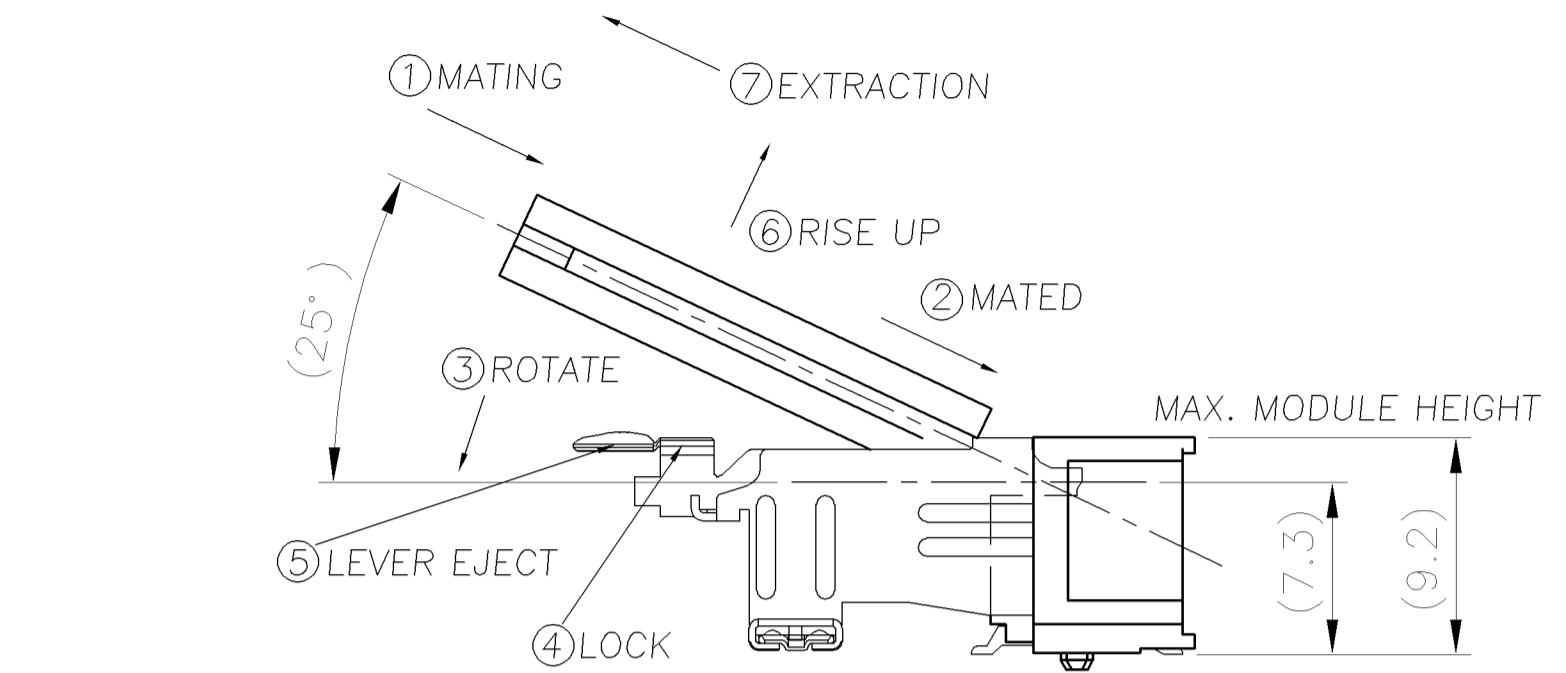
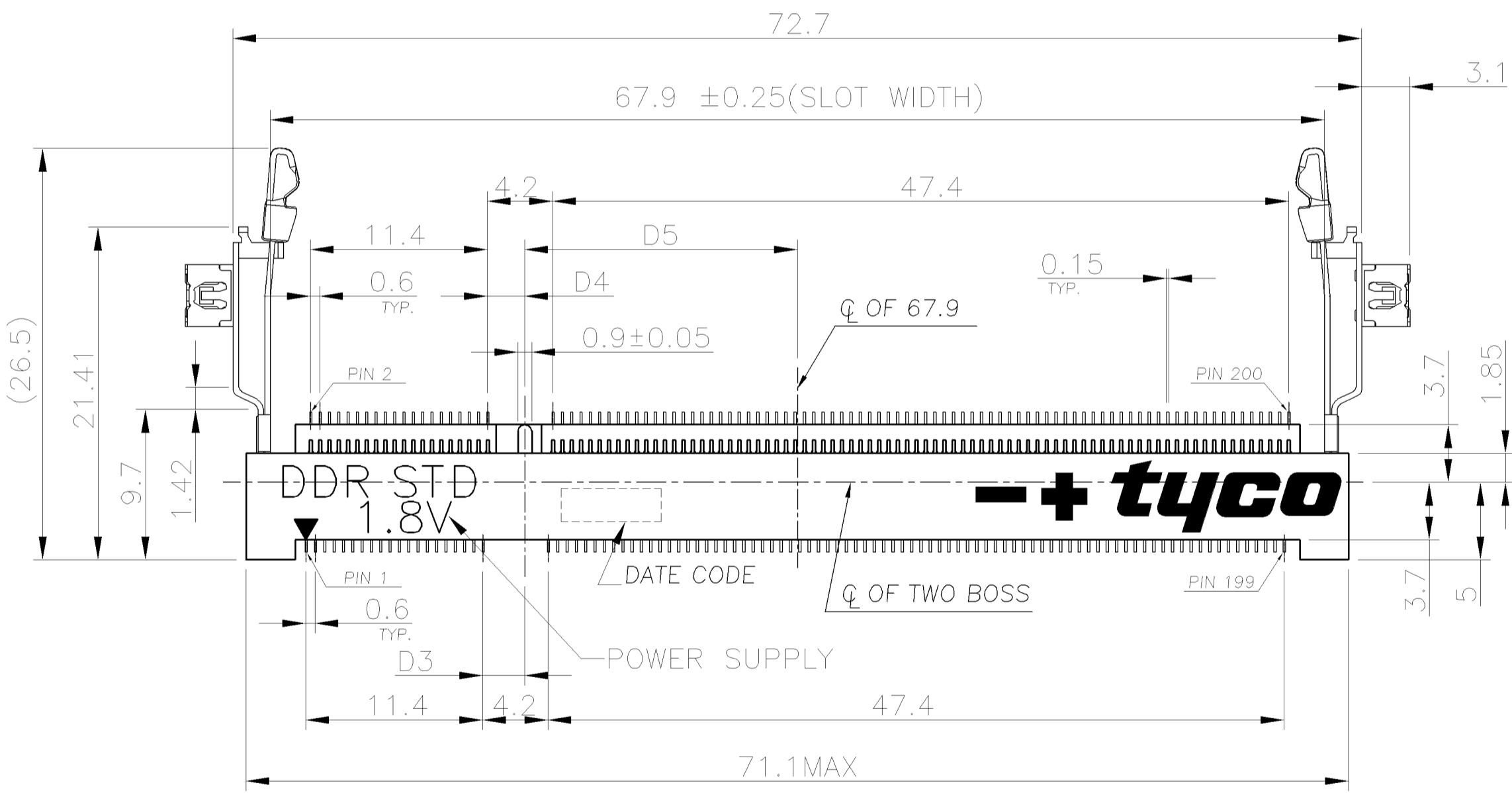
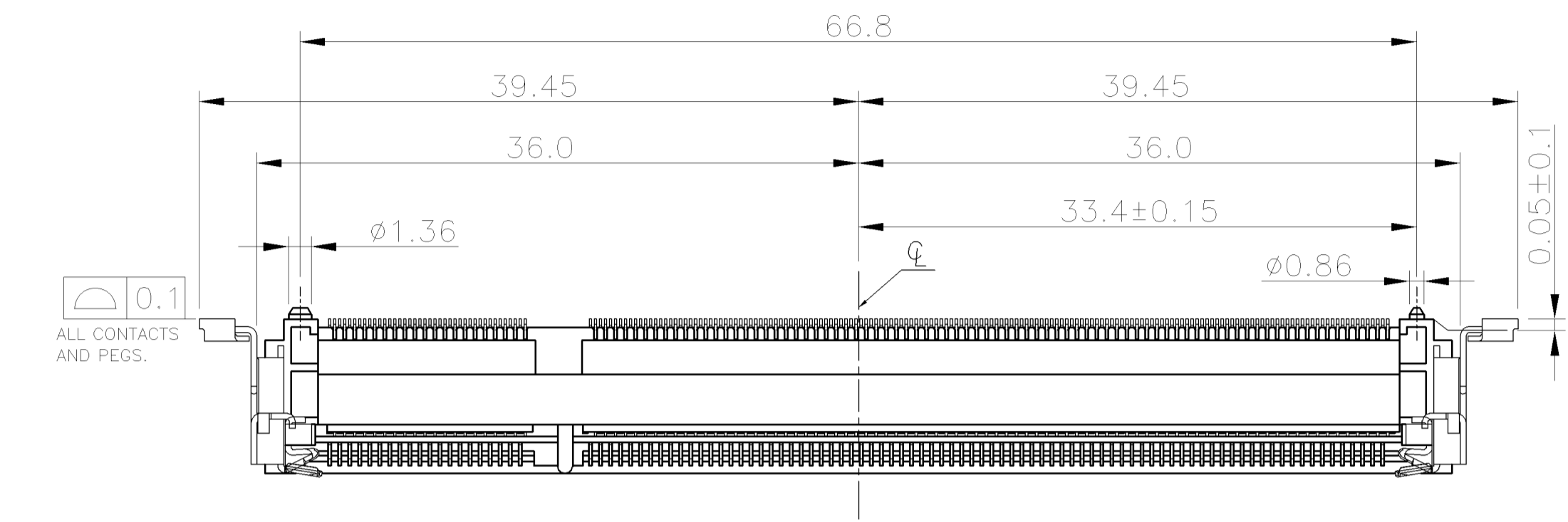
NUMBER
C-1775859

3RD ANGLE PROJECTION

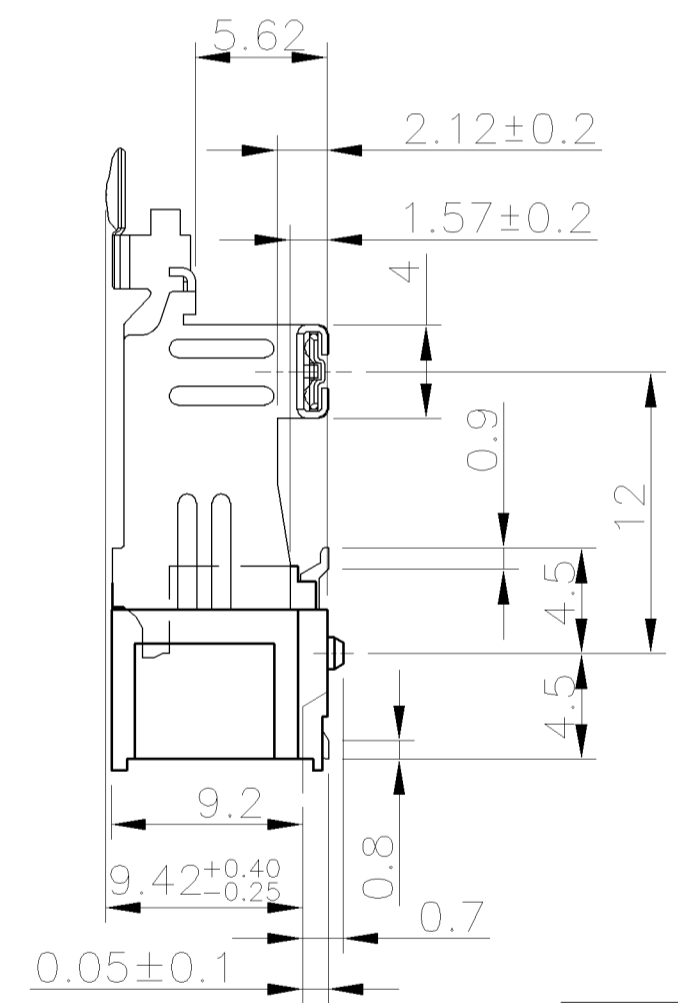
METRIC

THIS INFORMATION IS CONFIDENTIAL AND IS DISCLOSED TO YOU ON CONDITION THAT NO FURTHER DISCLOSURE IS MADE BY YOU TO OTHER THAN AMP PERSONNEL WITHOUT WRITTEN AUTHORIZATION FROM AMP (TAIWAN) LTD. DIMENSIONS IN MILLIMETERS. DO NOT SCALE PRINT.

PRINT DIST
DW



HOW TO MATE AND UNMATE
MATE: ① → ④
UNMATE: ⑤ → ⑦



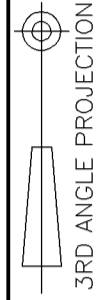
HARD TRAY	1.8V	17.55	2.4	2.7	1-1775859-2
TAPE/REEL	1.8V	17.55	2.4	2.7	1-1775859-1
PKG TYPE	PWR. SUP.	D5	D4	D3	PART NUMBER

TOLERANCES UNLESS OTHERWISE SPECIFIED: 0 PLC ± 0.3 1 PLC ± 0.25 2 PLC ± 0.12 3 PLC ± 0.05 ANGLES ± 3'	DWN	S. HOU 15-DEC-2006	tyco TYCO HOLDINGS (BERMUDA) Electronics VII LTD. TAIWAN BRANCH		
	CHK	W.J. KE 15-DEC-2006			
MATERIAL	APVD	W.J. KE 15-DEC-2006	DDR S.O. DIMM SOCKET, 200P, 9.2 HEIGHT, SMT. STANDARD TYPE		
FINISH	PRODUCT SPEC	-			
	APPLICATION SPEC	-	LOC	SIZE	DRAWING NO
	WEIGHT	7.8 GRAM	DW	A ₃	C-1775859
			SCALE		REV
					B
					SHEET
					2 OF 6

SEE SHEET 1	ECN	DWN	CHK	DATE
LTR	REVISION RECORD			

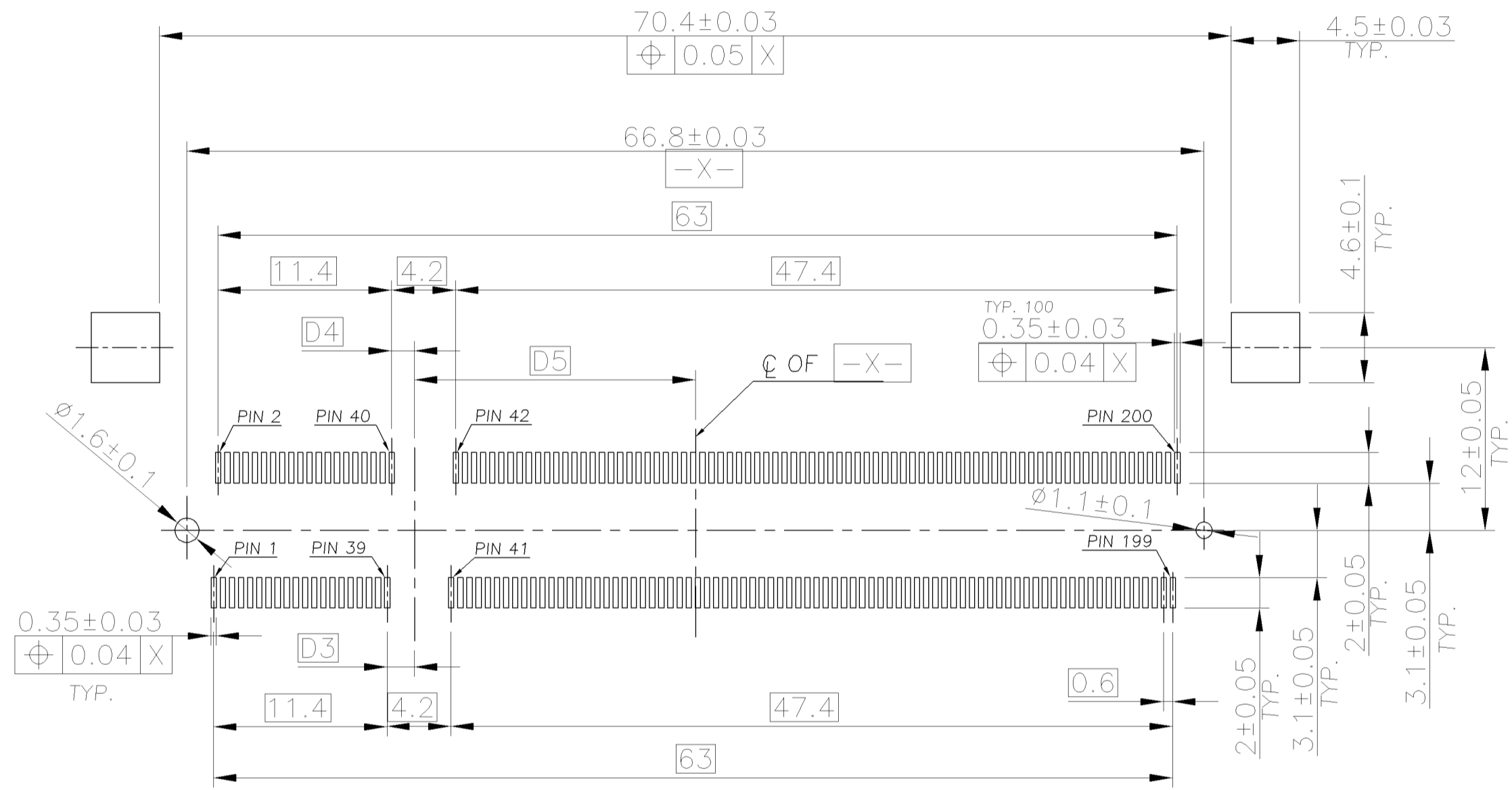
8 7 6 5 4 3 2 1 CUSTOMER DRAWING

NUMBER
C-1775859



METRIC

THIS INFORMATION IS CONFIDENTIAL AND IS DISCLOSED TO YOU ON CONDITION THAT NO FURTHER DISCLOSURE IS MADE BY YOU TO OTHER THAN AMP PERSONNEL WITHOUT WRITTEN AUTHORIZATION FROM AMP (TAIWAN) LTD. DIMENSIONS IN MILLIMETERS. DO NOT SCALE PRINT.



RECOMMENDED PCB LAYOUT
CONNECTOR MOUNTING SIDE

STANDARD TYPE

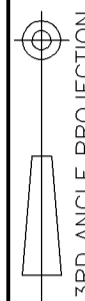
18.45	1.5	1.8	2.5V
17.55	2.4	2.7	1.8V
D5	D4	D3	PWR. SUP.

TOLERANCES UNLESS OTHERWISE SPECIFIED: 0 PLC ± 0.3 1 PLC ± 0.25 2 PLC ± 0.12 3 PLC ± 0.05 ANGLES ± 3°		DWN S. HOU 15-DEC-2006	tyco TYCO HOLDINGS (BERMUDA) VII LTD. TAIWAN BRANCH Electronics
MATERIAL -		CHK W.J. KE 15-DEC-2006	
FINISH -		APVD W.J. KE 15-DEC-2006	NAME DDR S.O. DIMM SOCKET, 200P, 9.2 HEIGHT, SMT. STANDARD TYPE
		PRODUCT SPEC -	
		APPLICATION SPEC -	LOC DW
		WEIGHT	SIZE A ₃
			DRAWING NO C-1775859
			REV B
			SCALE --
			SHEET 3 OF 6

SEE SHEET 1.	ECN	DWN	CHK	DATE
LTR	REVISION RECORD			

PRINT DIST
DW

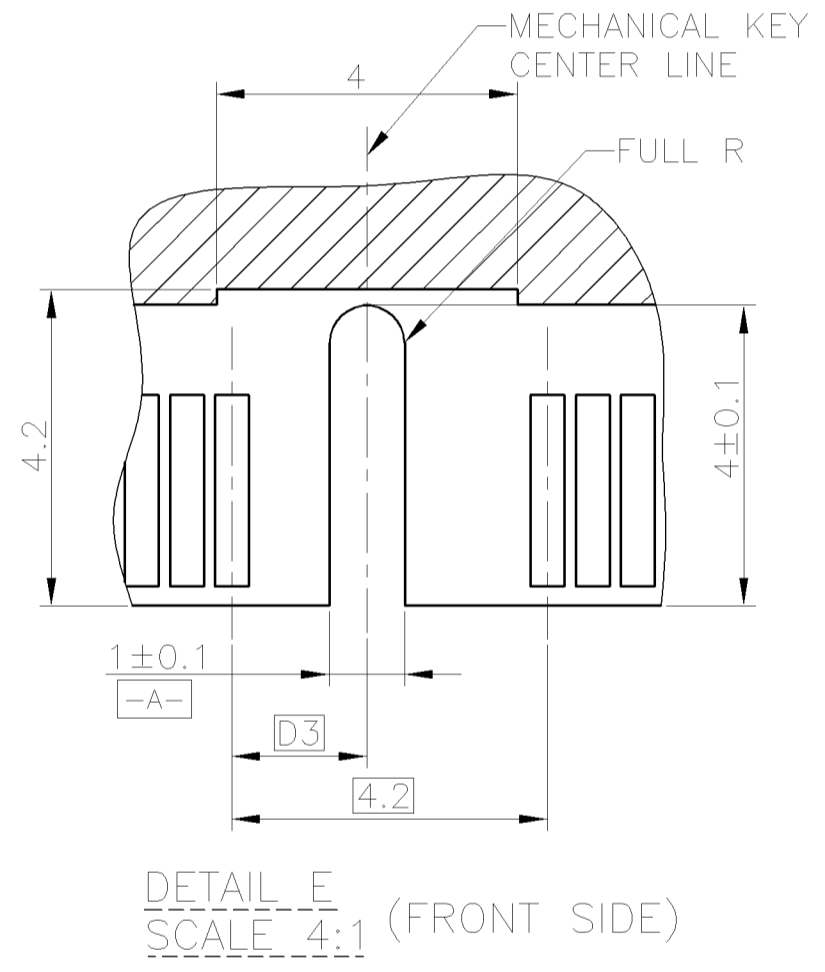
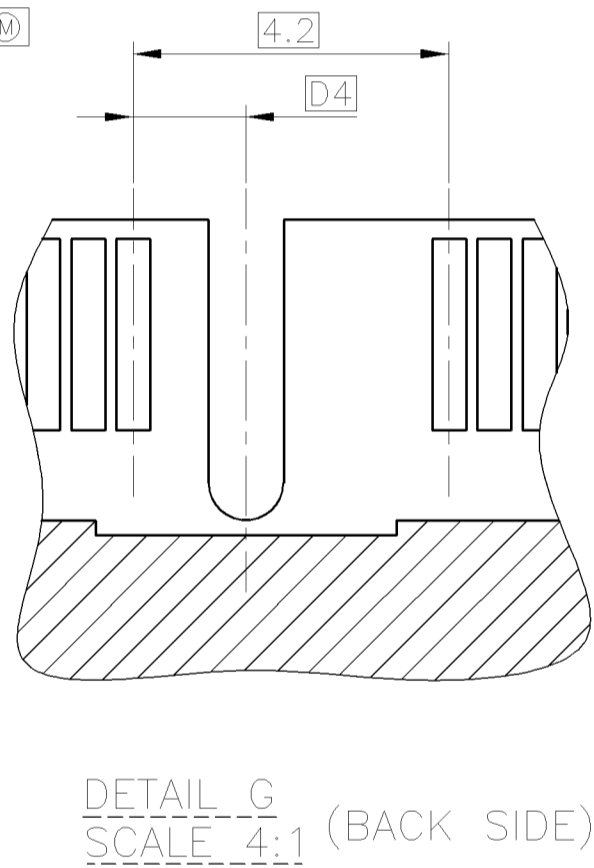
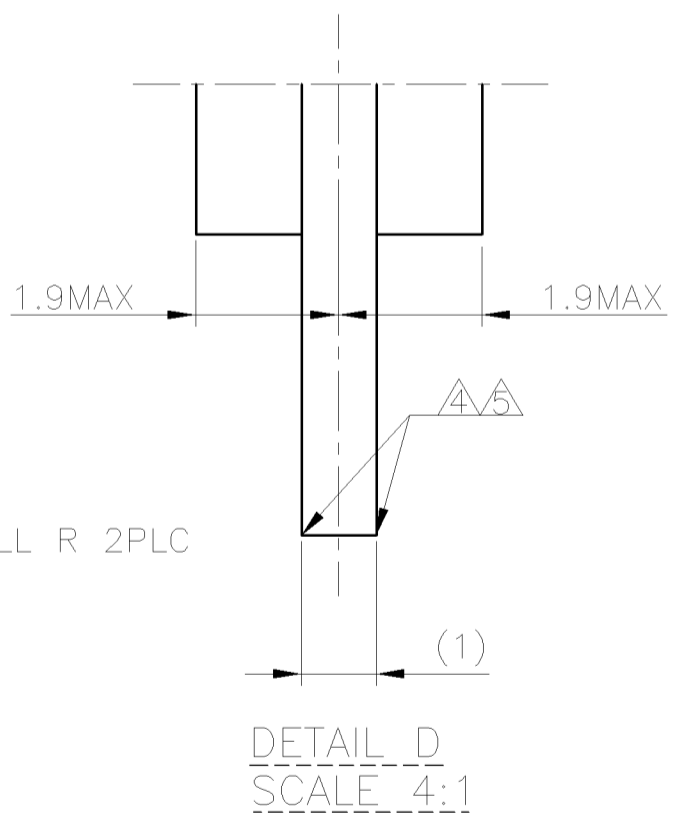
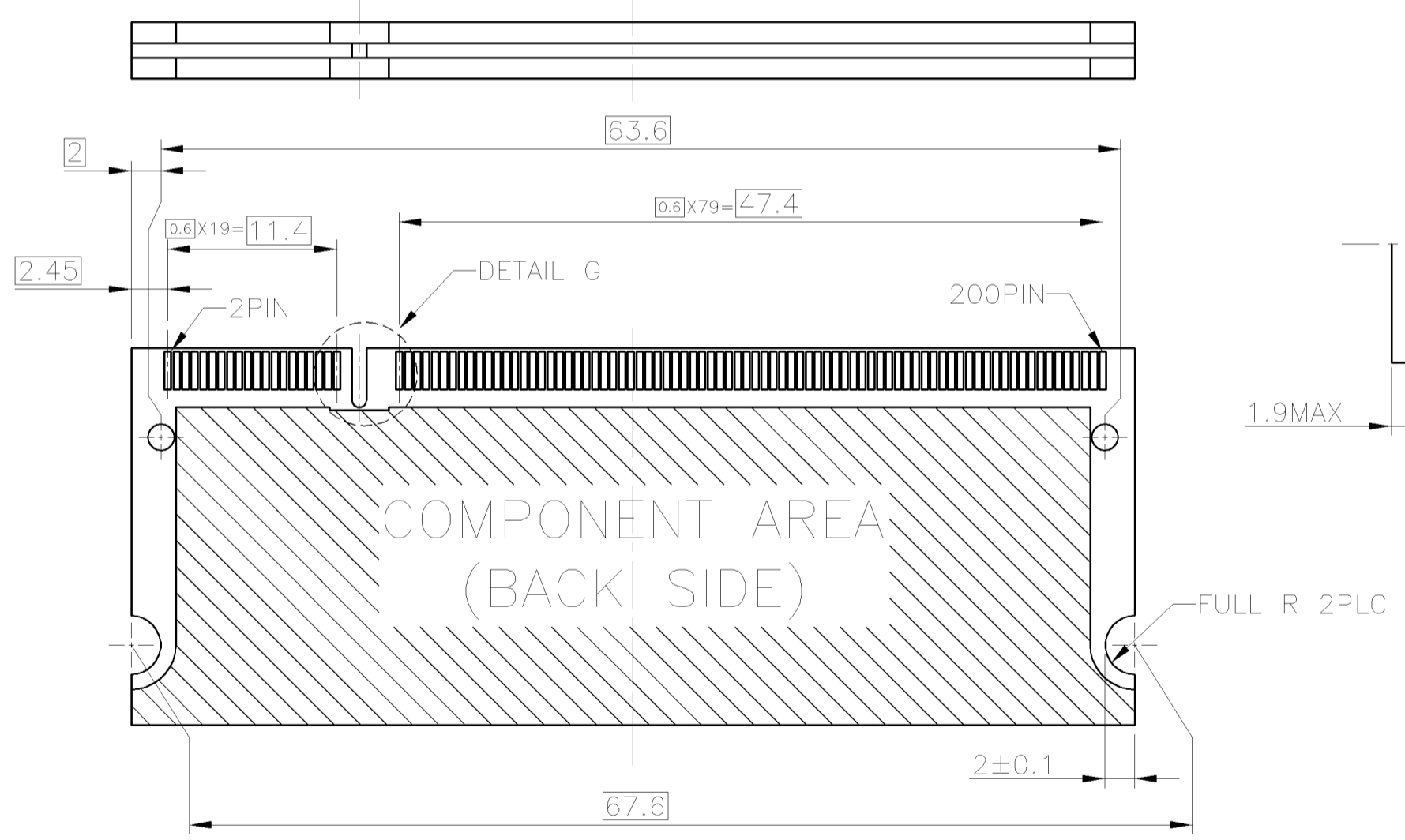
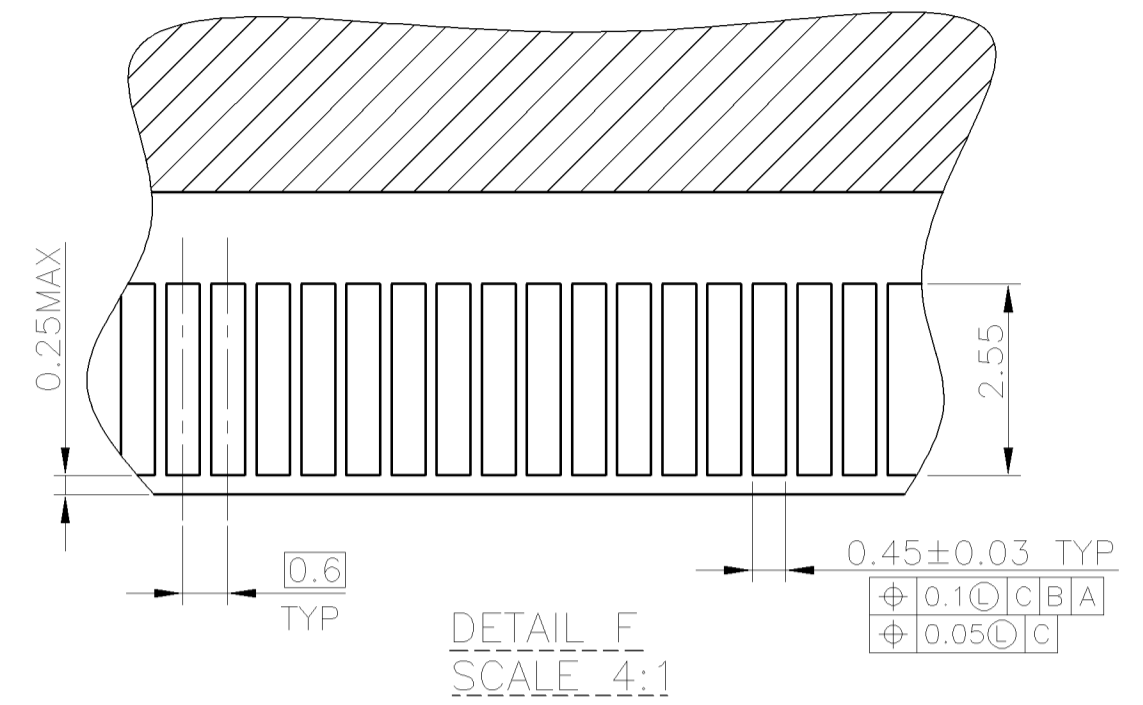
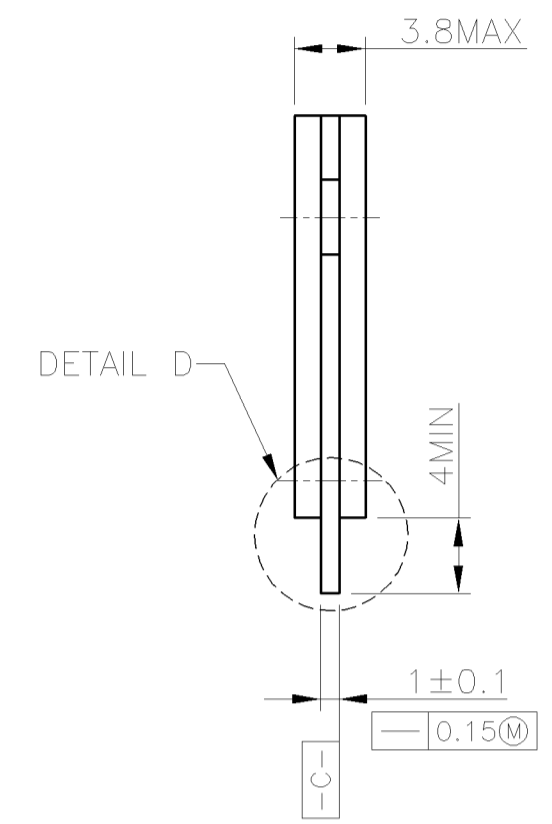
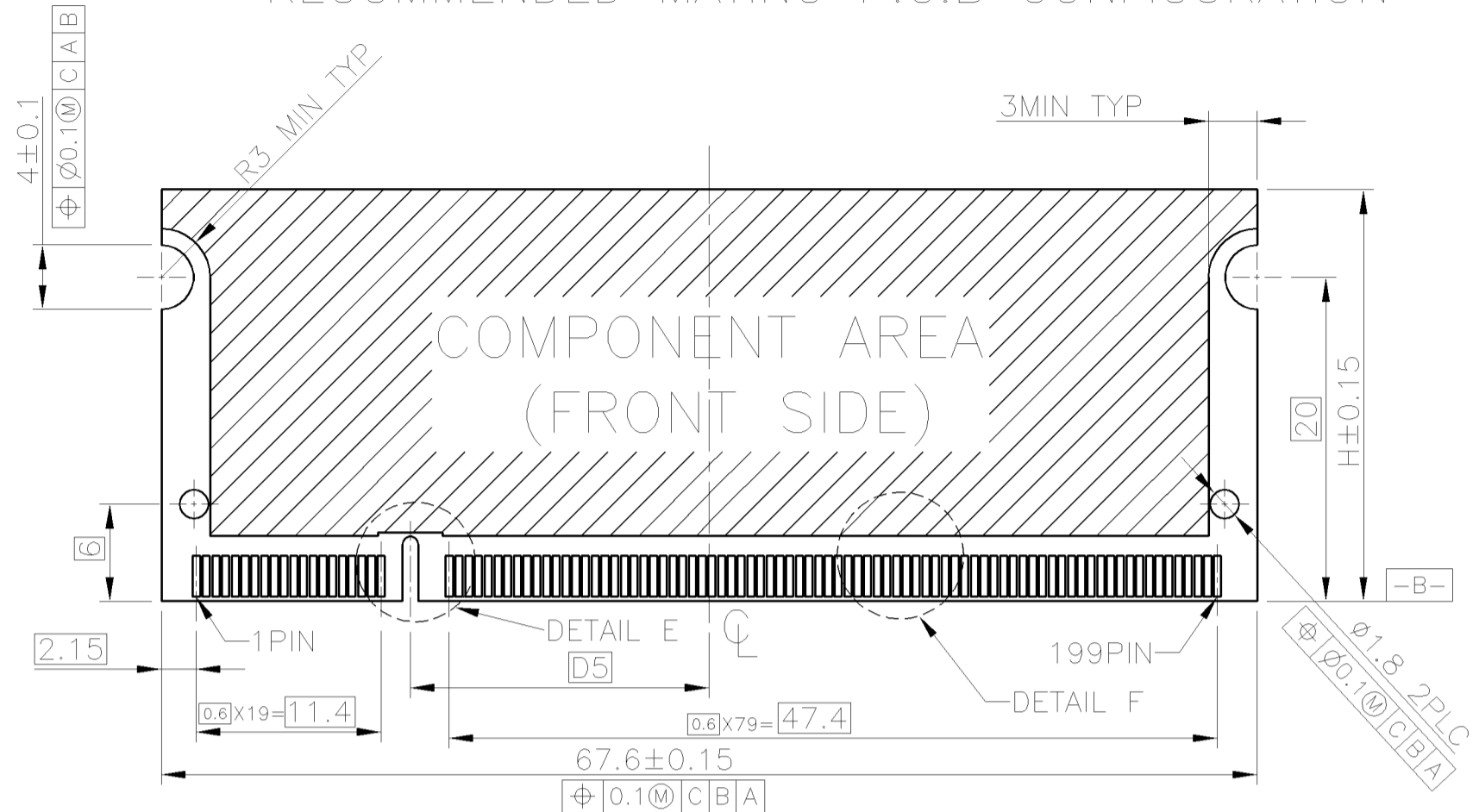
NUMBER
C-1775859



METRIC

THIS INFORMATION IS CONFIDENTIAL AND IS DISCLOSED TO YOU ON CONDITION THAT NO FURTHER DISCLOSURE IS MADE BY YOU TO OTHER THAN AMP PERSONNEL WITHOUT WRITTEN AUTHORIZATION FROM AMP (TAIWAN) LTD. DIMENSIONS IN MILLIMETERS. DO NOT SCALE PRINT.

RECOMMENDED MATING P.C.B CONFIGURATION



NOTE:
(APPLIED TO SHEET 3)
1.TOLERANCES ON ALL DIMENSIONS ±0.15 UNLESS OTHERWISE SPECIFIED.
2.P.C.BOARD THICKNESS APPLIES ACROSS TABS AND INCLUDES PLATING AND/OR MENTAIZATION.
3.FINISH OF PAD:GOLD PLATING 0.00076MIN OVER ON PLATING 0.002MIN.
⚠ NO BURR
⚠ CHAMFER 0.25MAX X45° IF EXIST.

25.4	18.45	1.5	1.8	2.5V
31.75	17.55	2.4	2.7	1.8V
H	D5	D4	D3	PWR. SUP.

TOLERANCES UNLESS OTHERWISE SPECIFIED: 0 PLC ± 1 PLC ± 0.05 2 PLC ± 0.05 3 PLC ± ANGLES ±	DWN S. HOU 15-DEC-2006	tyco Electronics TYCO HOLDINGS (BERMUDA) VII LTD. TAIWAN BRANCH
MATERIAL -	CHK W.J. KE 15-DEC-2006	
FINISH -	APVD W.J. KE 15-DEC-2006	NAME DDR S.O. DIMM SOCKET, 200P, 9.2 HEIGHT, SMT. STANDARD TYPE
	APPLICATION SPEC -	LOC DW SIZE A₃ DRAWING NO C-1775859 REV B
	WEIGHT -	SCALE SHEET 4 OF 6

SEE SHEET 1.	ECN	DWN	CHK	DATE
LTR	REVISION RECORD			

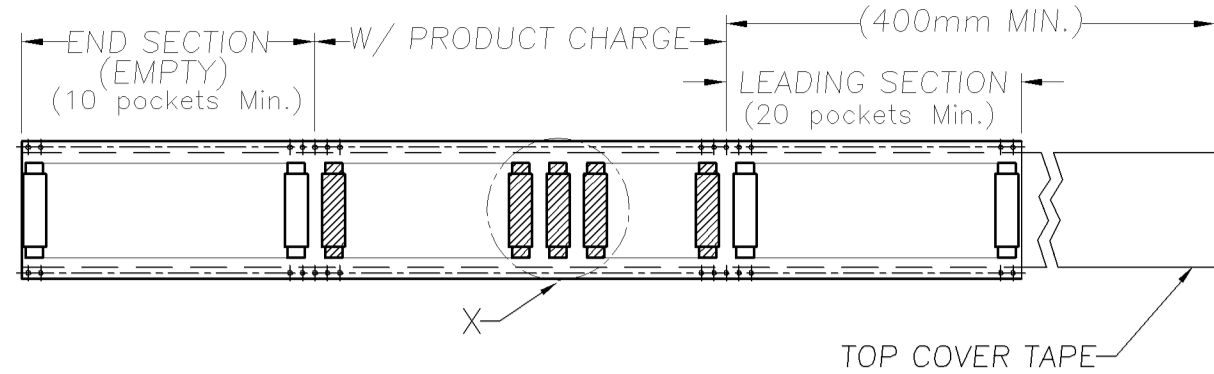
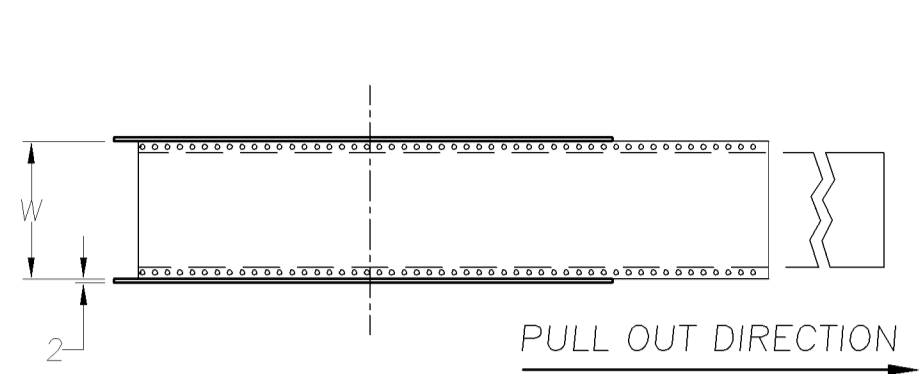
NUMBER
C-1775859

3RD ANGLE PROJECTION

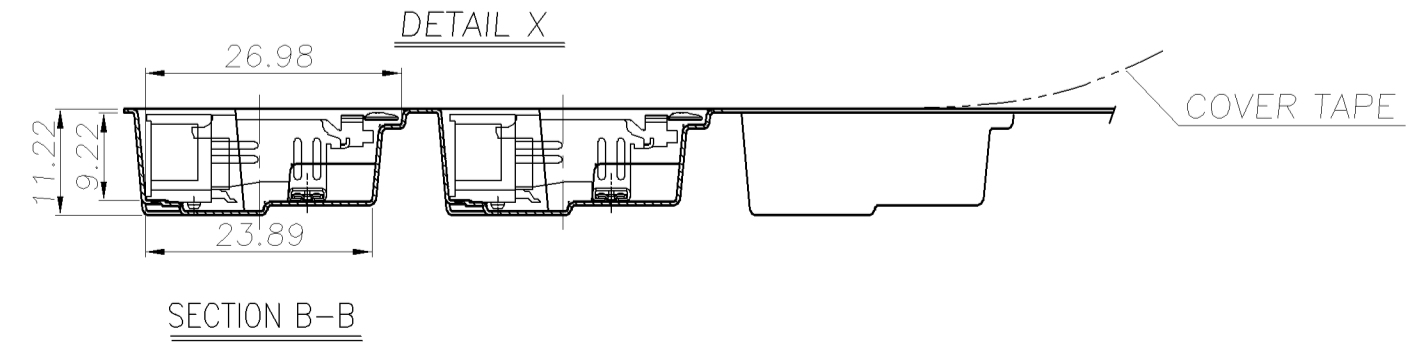
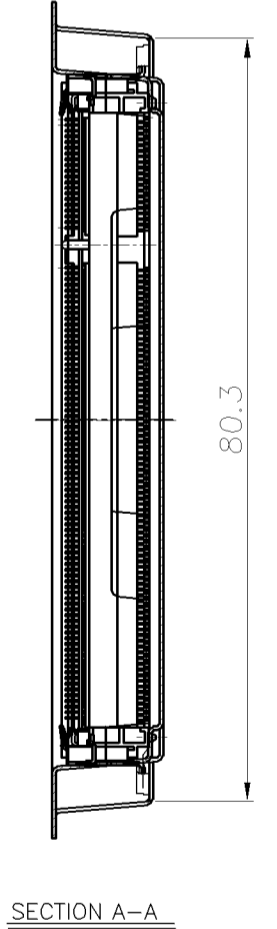
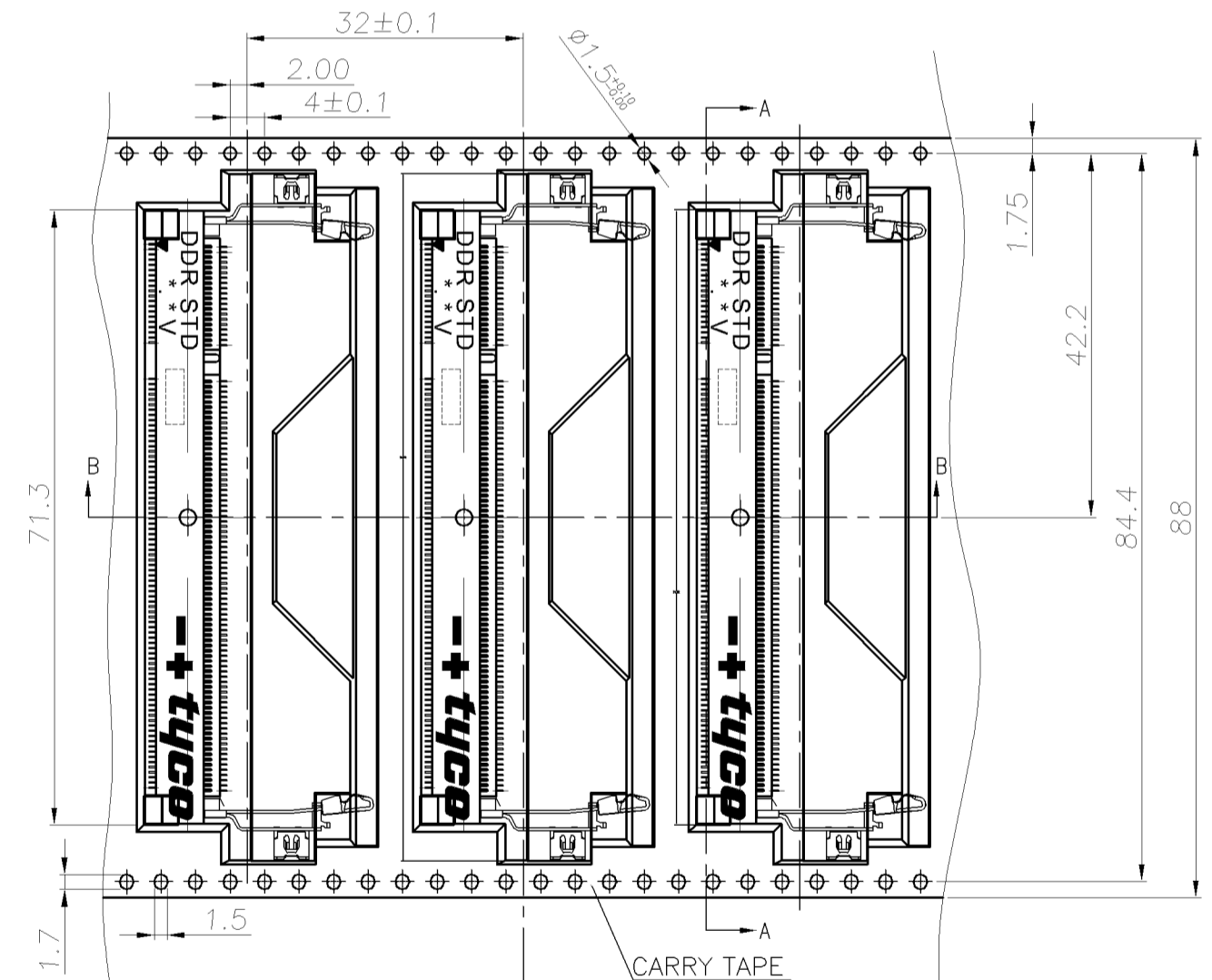
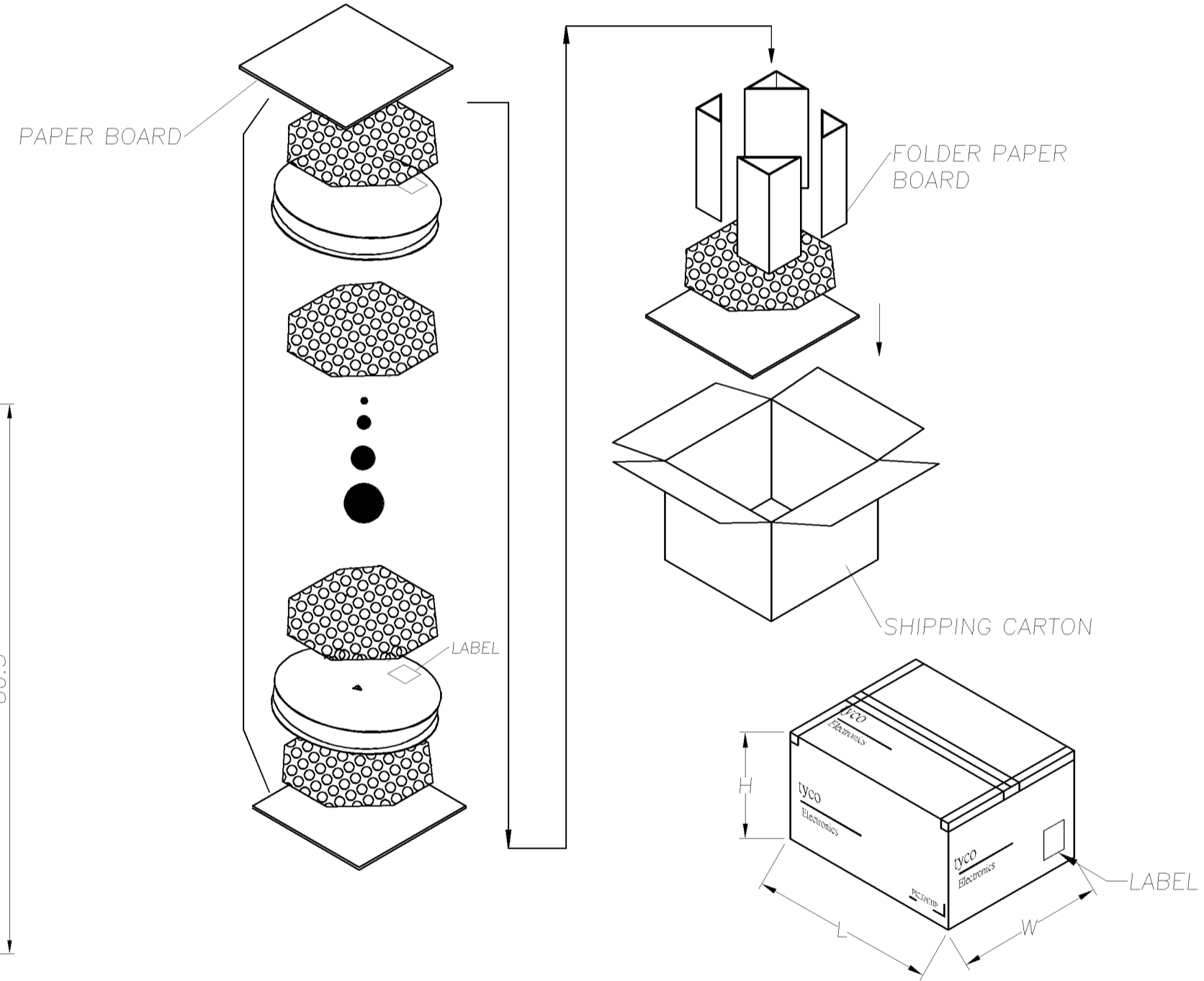
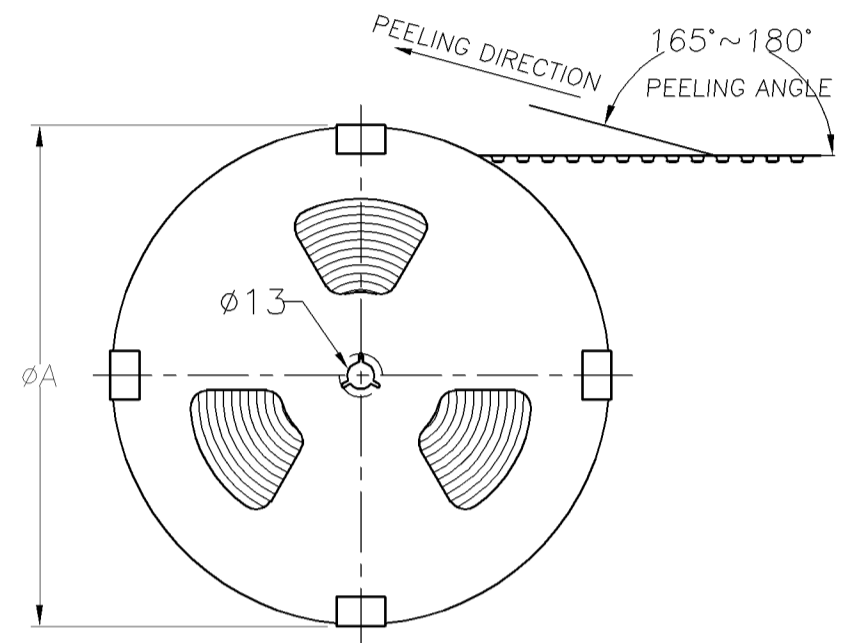
METRIC

THIS INFORMATION IS CONFIDENTIAL AND IS DISCLOSED TO YOU ON CONDITION THAT NO FURTHER DISCLOSURE IS MADE BY YOU TO OTHER THAN AMP PERSONNEL WITHOUT WRITTEN AUTHORIZATION FROM AMP (TAIWAN) LTD. DIMENSIONS IN MILLIMETERS. DO NOT SCALE PRINT.

PRINT DIST
DW



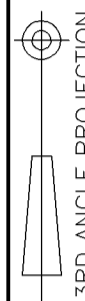
- NOTES:
- MATERIAL :
 - EMBOSSED CARRIER: PS
 - COVER TAPE: PS
 - SHIPPING CARTON: CORRUGATED FIBER
 - DIMENSION :
 - REEL: W=88, $\phi A=330$
 - SHIPPING CARTON: L=348, W=348, H=295
 - QUANTITY :
 - PRIMARY PACKING: 150PCS/REEL
 - SECONDARY PACKING: 2 REELS/CARTON(300PCS)
 - WEIGHT :
 - NET WEIGHT: 1.17Kg/REEL, 2.34Kg/CARTON.
 - GROSS WEIGHT: 1.600Kg/REEL, 5.80Kg/CARTON.
 - PEELING RESISTANCE: 0.1~0.7N(10.2gf~71.4gf).
 - PEELING SPEED: 300mm/minutes.



SEE SHEET 1.	ECN	DWN	CHK	DATE
LTR	REVISION RECORD			

TOLERANCES UNLESS OTHERWISE SPECIFIED:		DWN	S. HOU	tyco TYCO HOLDINGS (BERMUDA) VII LTD. TAIWAN BRANCH	
0 PLC ± 0.3 1 PLC ± 0.25 2 PLC ± 0.12 3 PLC ± 0.05 ANGLES ± 3'		15-DEC-2006	15-DEC-2006		
MATERIAL		CHK	W.J. KE	NAME Electronics	
APVD		15-DEC-2006	15-DEC-2006		
FINISH		PRODUCT SPEC		DDR S.O. DIMM SOCKET, 200P, 9.2 HEIGHT, SMT. STANDARD TYPE	
-		APPLICATION SPEC			
-		WEIGHT			
-		LOC	SIZE	DRAWING NO	REV
-		DW	A ₃	C-1775859	B
-		SCALE		SHEET	
-		--		5 OF 6	

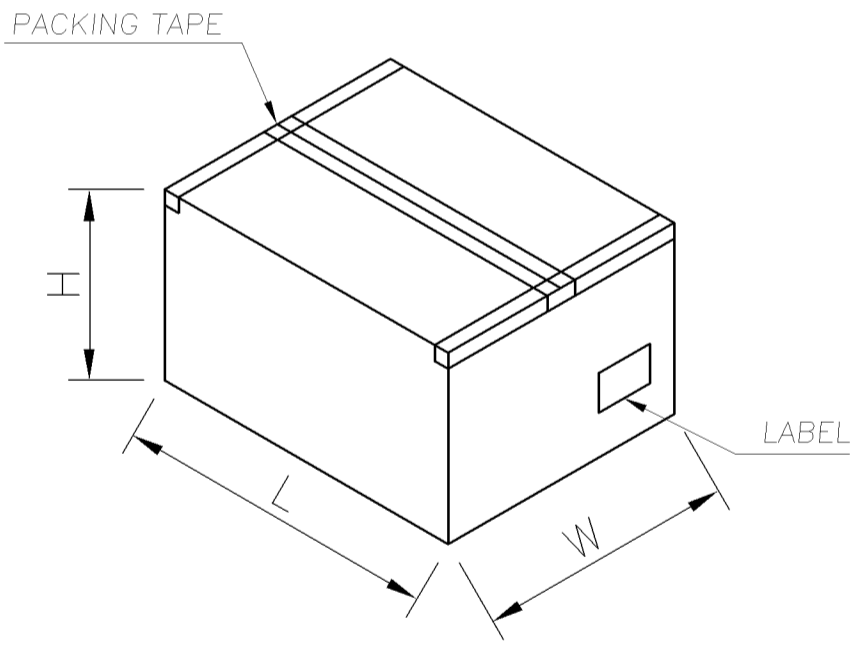
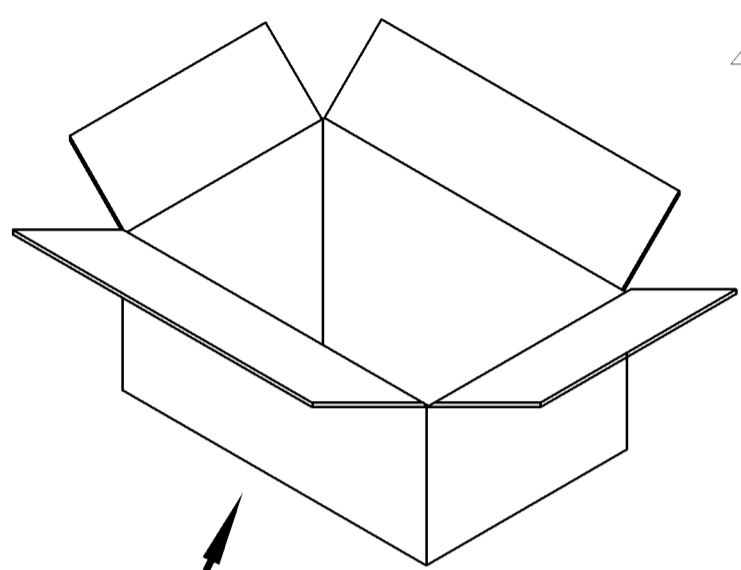
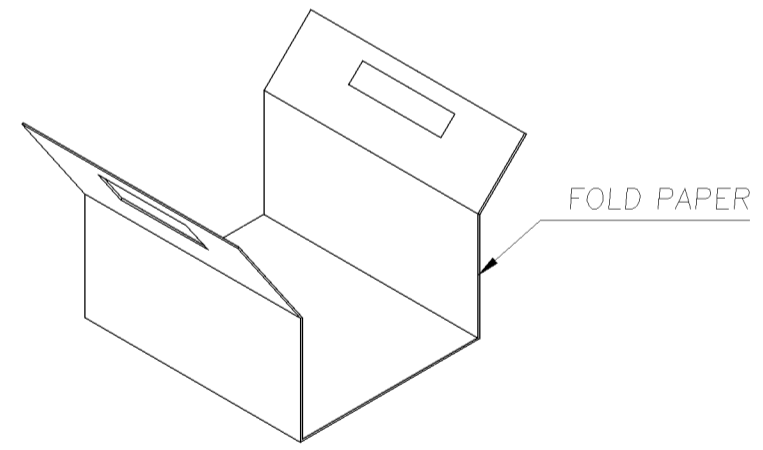
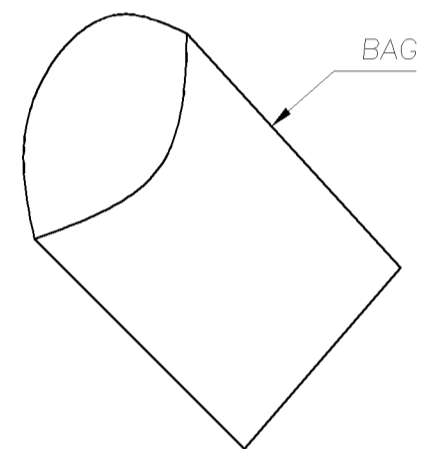
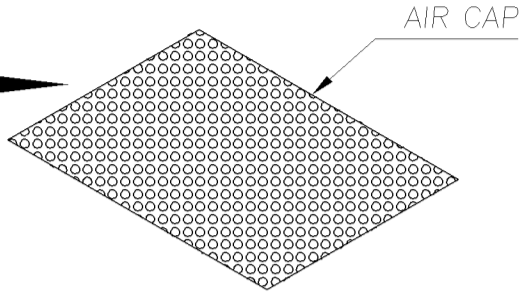
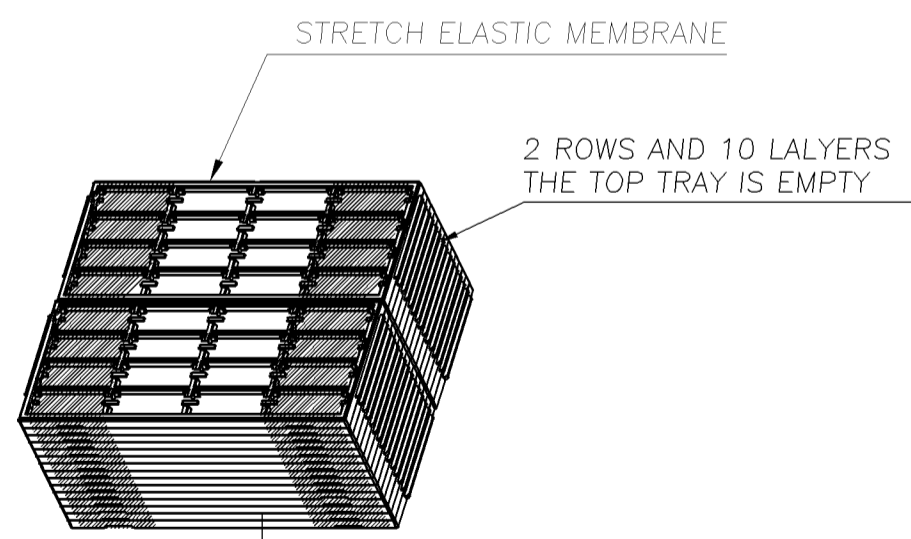
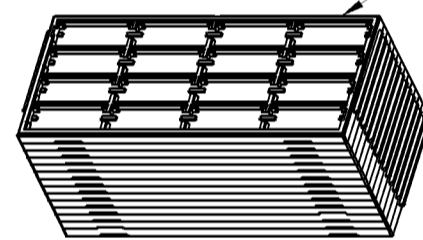
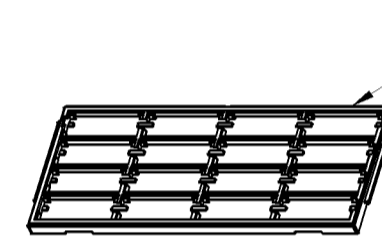
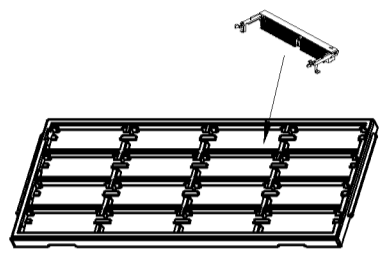
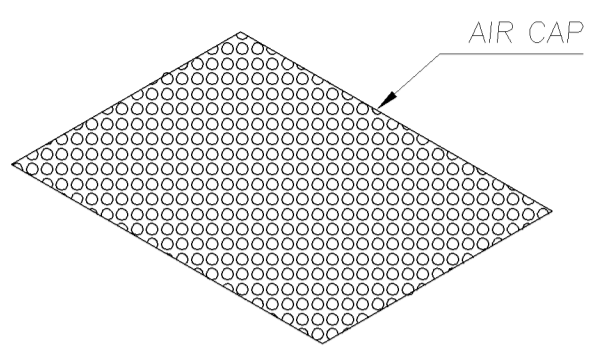
NUMBER
C-1775859



METRIC

THIS INFORMATION IS CONFIDENTIAL AND IS DISCLOSED TO YOU ON CONDITION THAT NO FURTHER DISCLOSURE IS MADE BY YOU TO OTHER THAN AMP PERSONNEL WITHOUT WRITTEN AUTHORIZATION FROM AMP (TAIWAN) LTD. DIMENSIONS IN MILLIMETERS. DO NOT SCALE PRINT.

PRINT DIST
DW



- NOTES :
- MATERIAL:
 - 1.1 TRAY: ABS, BLACK COLOR
 - 1.2 SHIPPING CARTON: CORRUGATED FIBERBOARD
 - DIMENSION:
 - 2.1 TRAY: L=246, W=139, H=16
 - 2.1 SHIPPING CARTON: L=360, W=330, H=195
 - QUANTITY:
 - 3.1 PRIMARY PACKING: 16 PCS/TRAY
 - 3.2 SECONDARY PACKING: 20 TRAY/CARTON(320PCS)
 - WEIGHT:
 - 4.1 NET WEIGHT: 3.2Kg
 - 4.2 GROSS WEIGHT: 6.91Kg

8 7 6 5 4 3 2 1 CUSTOMER DRAWING

LTR	SEE SHEET 1.	ECN	DWN	CHK	DATE
	REVISION RECORD				

TOLERANCES UNLESS OTHERWISE SPECIFIED: 0 PLC ± 1 PLC ± 2 PLC ± 3 PLC ± ANGLES ±	DWN S. HOU 15-DEC-2006		TYCO HOLDINGS (BERMUDA) VII LTD. TAIWAN BRANCH		
MATERIAL	CHK W.J. KE 15-DEC-2006				
FINISH	APVD W.J. KE 15-DEC-2006	NAME DDR S.O. DIMM SOCKET, 200P, 9.2 HEIGHT, SMT. STANDARD TYPE			
	PRODUCT SPEC -				
	APPLICATION SPEC -	LOC DW	SIZE A ₃	DRAWING NO C-1775859	REV B
	WEIGHT	SCALE --	SHEET 6 OF 6		

D
C
B
A