



Chipsmall Limited consists of a professional team with an average of over 10 year of expertise in the distribution of electronic components. Based in Hongkong, we have already established firm and mutual-benefit business relationships with customers from,Europe,America and south Asia,supplying obsolete and hard-to-find components to meet their specific needs.

With the principle of “Quality Parts,Customers Priority,Honest Operation,and Considerate Service”,our business mainly focus on the distribution of electronic components. Line cards we deal with include Microchip,ALPS,ROHM,Xilinx,Pulse,ON,Everlight and Freescale. Main products comprise IC,Modules,Potentiometer,IC Socket,Relay,Connector.Our parts cover such applications as commercial,industrial, and automotives areas.

We are looking forward to setting up business relationship with you and hope to provide you with the best service and solution. Let us make a better world for our industry!



Contact us

Tel: +86-755-8981 8866 Fax: +86-755-8427 6832

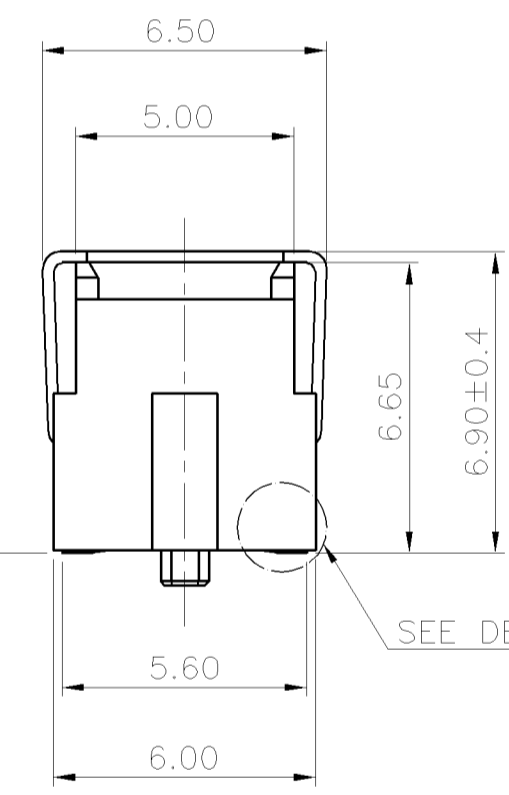
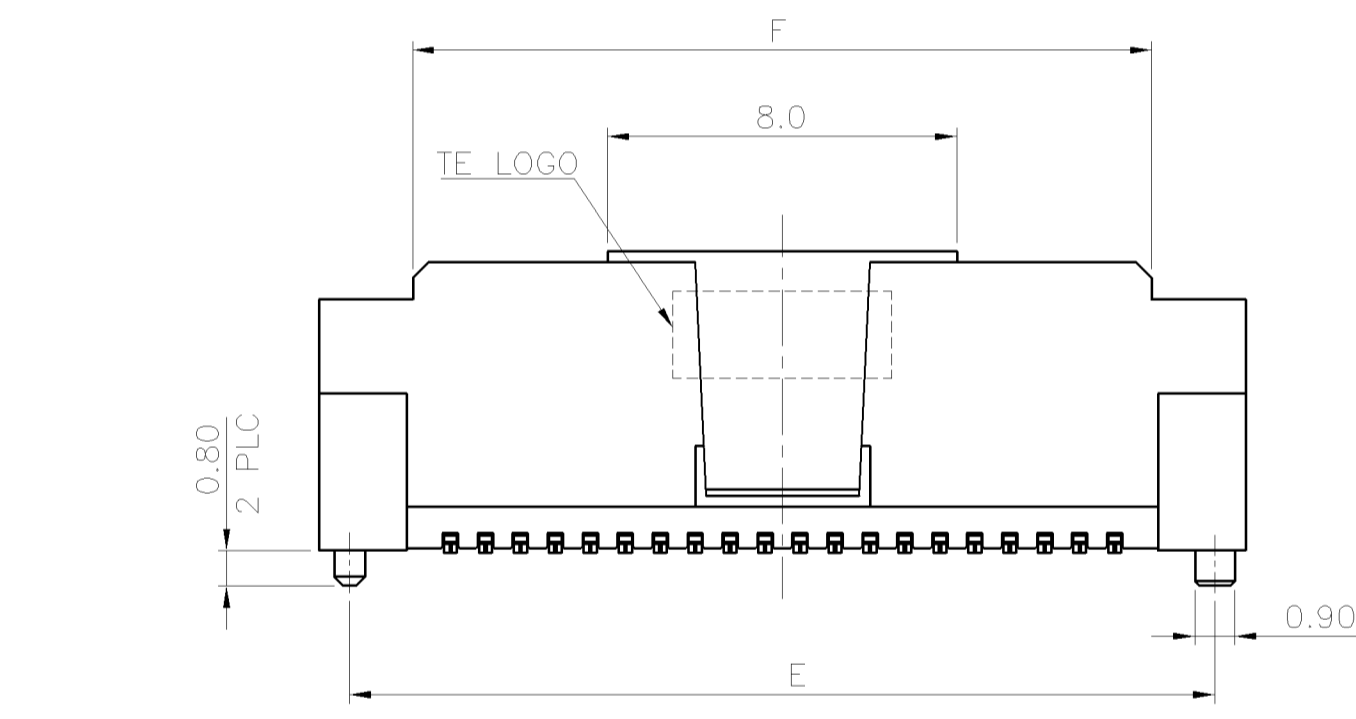
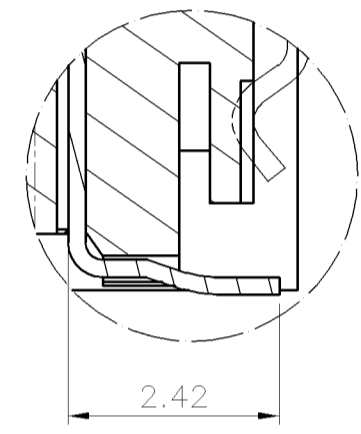
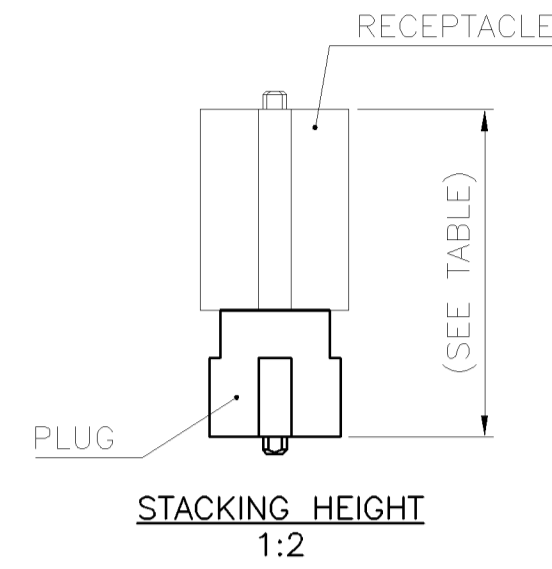
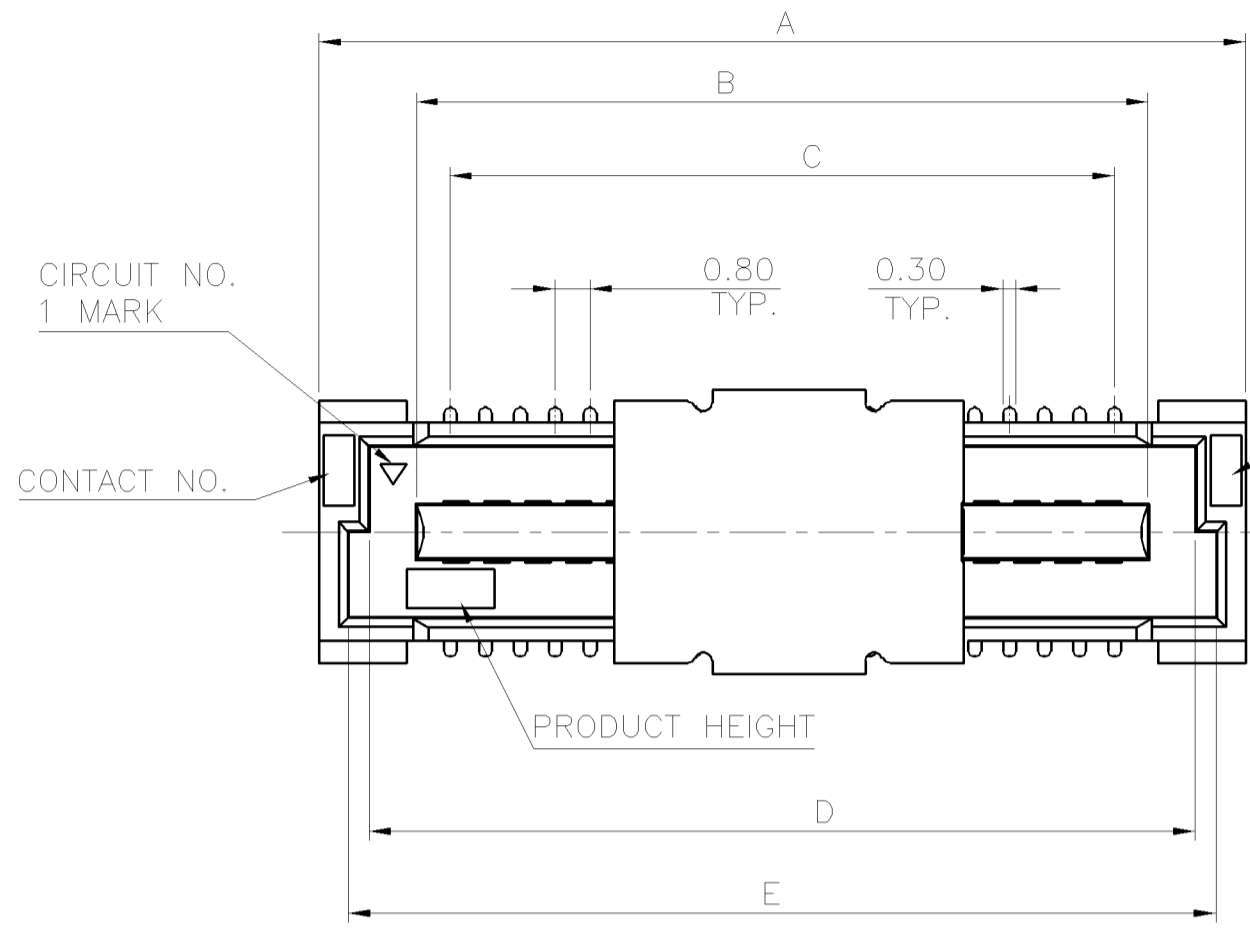
Email & Skype: info@chipsmall.com Web: www.chipsmall.com

Address: A1208, Overseas Decoration Building, #122 Zhenhua RD., Futian, Shenzhen, China



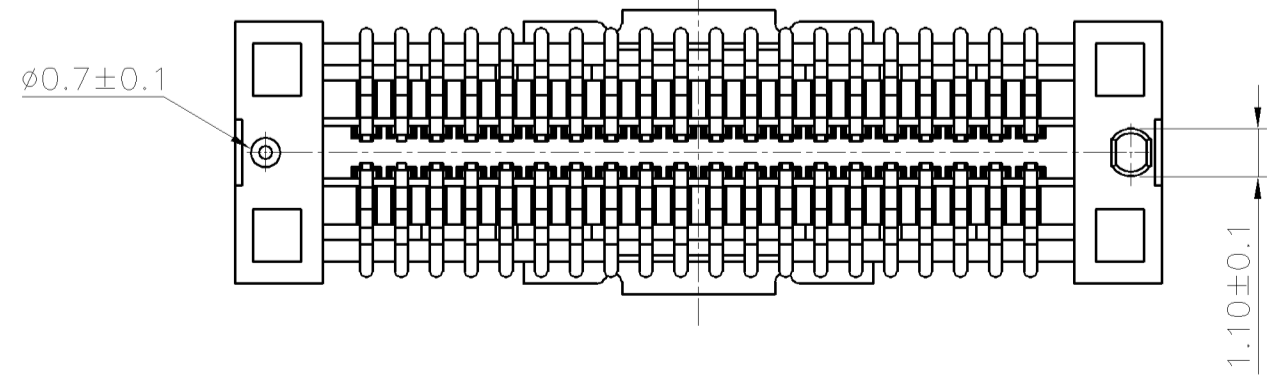
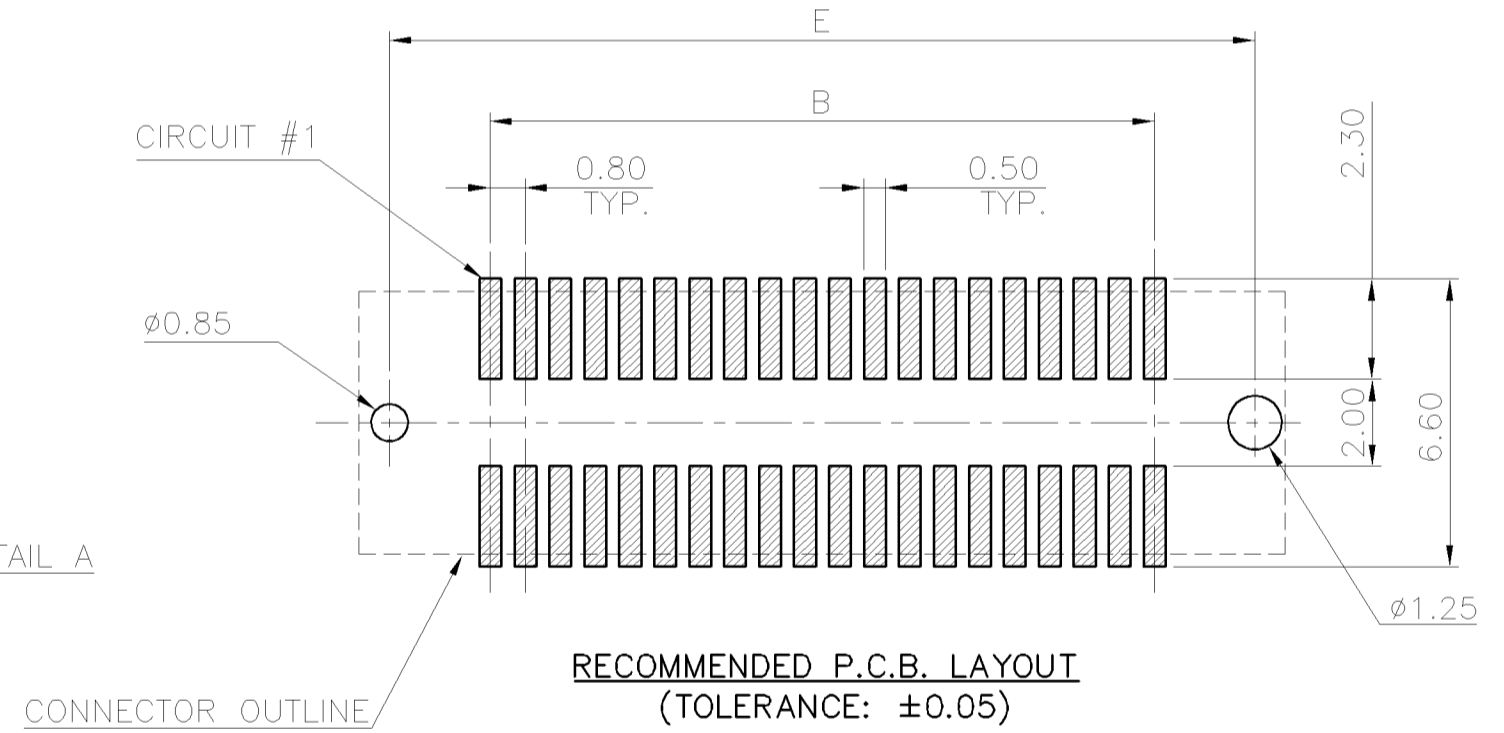
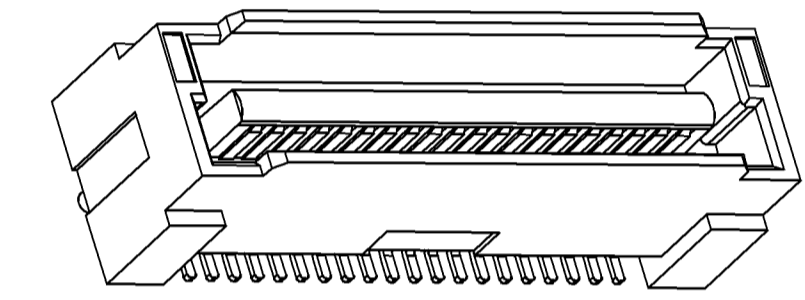
THIS DRAWING IS UNPUBLISHED. RELEASED FOR PUBLICATION
 © COPYRIGHT BY TYCO ELECTRONICS CORPORATION. ALL RIGHTS RESERVED.

LOC	DIST	REVISIONS			
P	LTR	DESCRIPTION	DATE	DWN	APVD
DW	—	B	ECR-08-000010	02JAN08	AW WK



0.10
ALL SOLDER TAILS

- NOTE:
- MATERIAL:
HOUSING: LCP WITH 30% GF, UL 94V-0, NATURAL COLOR.
CONTACTS: PHOSPHOR BRONZE.
CAP: BRASS.
 - FINISH:
CONTACTS: GOLD FLASH PLATED ON CONTACT AREA, 2.54µm [100µ"] MIN.
MATTE-TIN ON SOLDER TAIL, WITH ENTIRE CONTACT UNDERPLATED
1.27µm [50µ"] MIN. NICKEL.
CAP: 0.762µm [30µ"] MIN. NICKEL.
 - REFLOW SOLDER CAPABLE TO 260°C PER 109-201, CONDITION B.



WEIGHT(g)	G	F	E	D	C	B	A	RECEPTACLE P/N	STACKING HEIGHT	NO. OF CONTACTS	PART NUMBER
0.88	19.8	16.9	19.85	18.9	15.20	16.74	21.20	1775729-1	11	40	1775876-2
0.725	13.4	10.50	13.45	12.5	8.80	10.4	14.80	1775877-1	15	24	1775876-1

THIS DRAWING IS A CONTROLLED DOCUMENT.

DIMENSIONS: MM	TOLERANCES UNLESS OTHERWISE SPECIFIED:	DWN A. WU 21JAN2008	Tyco Electronics Corporation Taipei, Taiwan	
	0 PLC ± -	CHK S. HOU 21JAN2008	NAME	
	1 PLC ± 0.25	APVD W. KODAMA 21JAN2008	0.8 mm PITCH BOARD-TO-BOARD CONNECTOR, FH, PLUG	
	2 PLC ± 0.2	PRODUCT SPEC	SIZE	CAGE CODE
	3 PLC ± -	108-57610	501-57709	300779
	4 PLC ± -	QUALIFICATION TEST REPORT	DRAWING NO	RESTRICTED TO
	ANGLES ± -	501-57709	C-1775876	—
MATERIAL SEE NOTE	FINISH SEE NOTE	WEIGHT SEE TABLE	CUSTOMER DRAWING	
		SCALE —		SHEET 1 OF 2

THIS DRAWING IS UNPUBLISHED.

RELEASED FOR PUBLICATION

-, -

© COPYRIGHT BY TYCO ELECTRONICS CORPORATION.

ALL RIGHTS RESERVED.

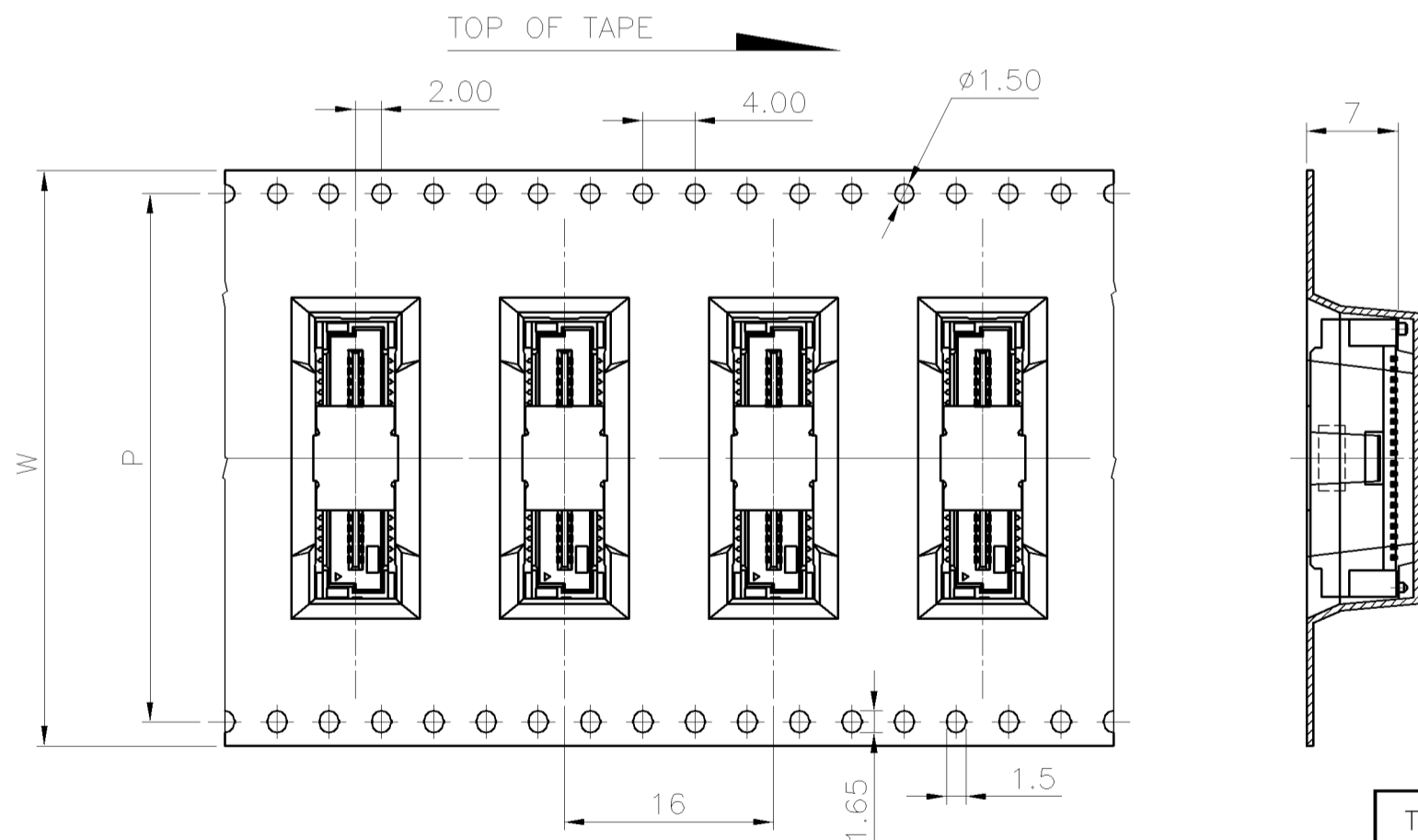
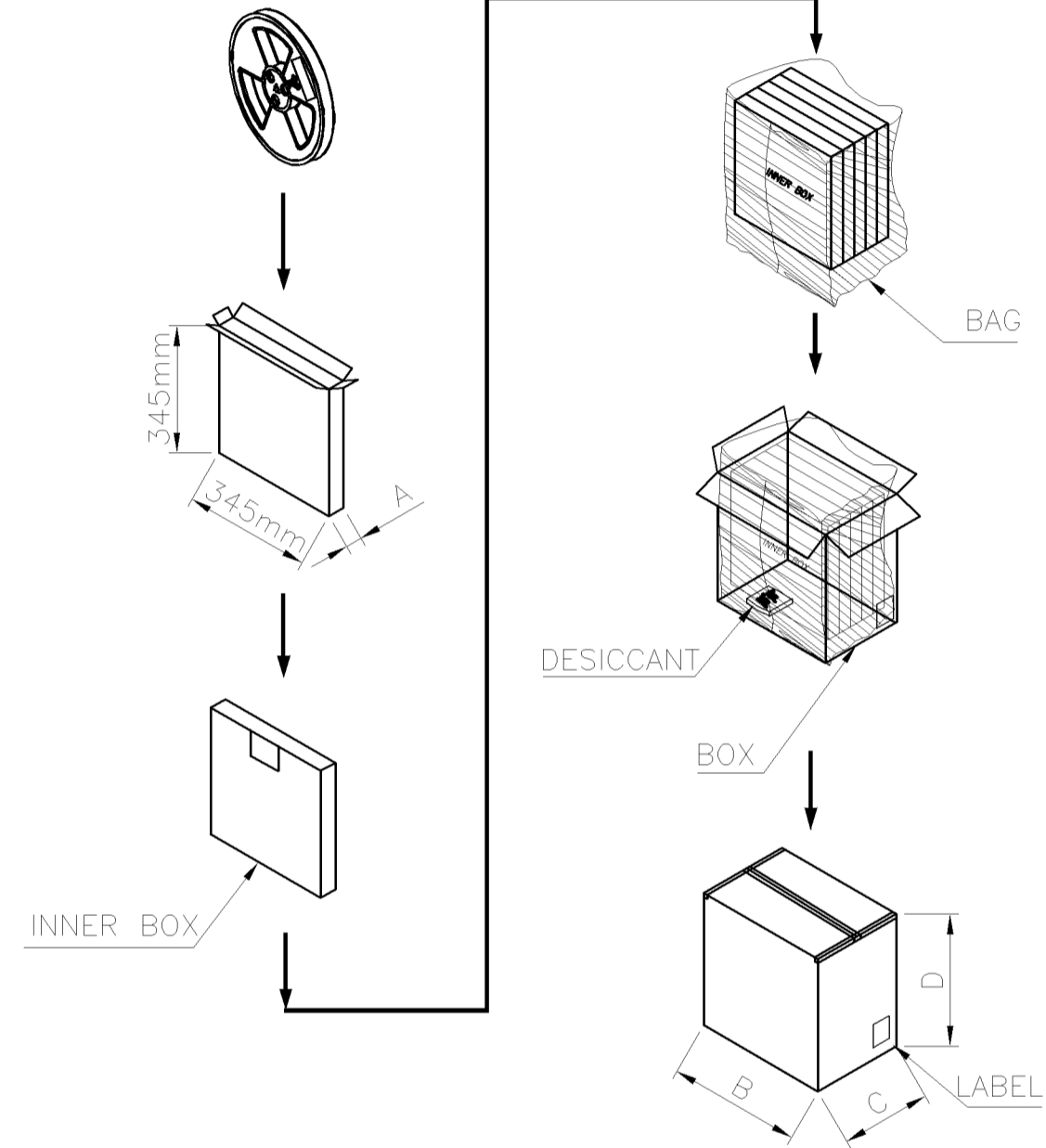
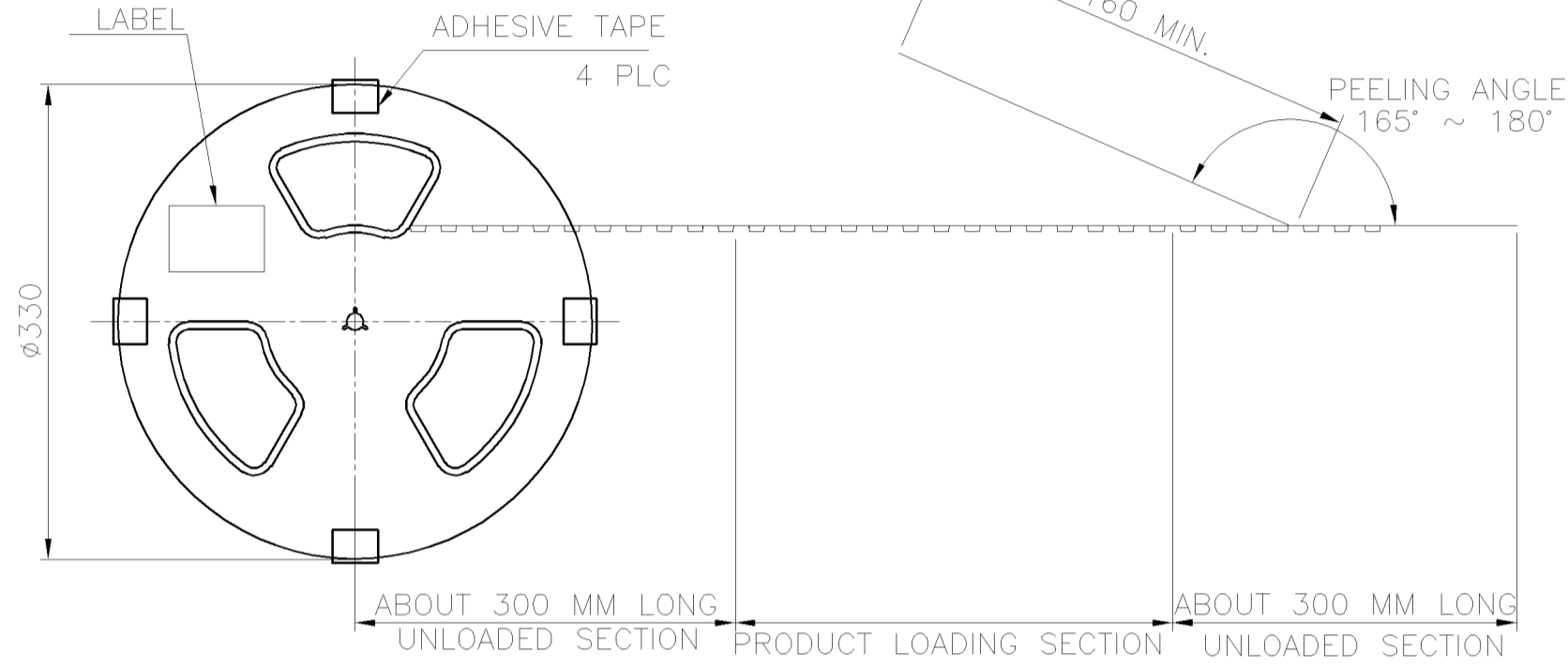
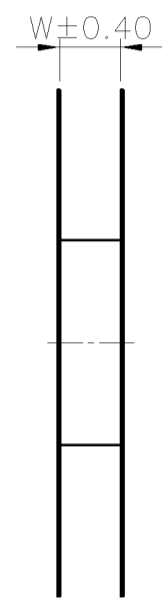
LOC DW

DIST -

REVISIONS

P	LTR	DESCRIPTION	DATE	DWN	APVD
		SEE SHEET 1.			

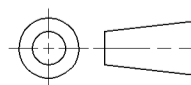
NO. OF CONTACTS	A	B	C	D	W	P
24	40	380	250	390	32	28.4
40	60	365	350	380	44	40.4



4.11 Kg	1.76 Kg	400	5	2000 PCS	40
3.8 Kg	1.45 Kg	400	5	2000 PCS	24
GROSS WEIGHT	NET WEIGHT	PCS/TAPE	REELS	QUANTITY	NO. OF CONTACTS

THIS DRAWING IS A CONTROLLED DOCUMENT.

DIMENSIONS: MM



TOLERANCES UNLESS OTHERWISE SPECIFIED:

0 PLC	± -
1 PLC	± -
2 PLC	± -
3 PLC	± -
4 PLC	± -
ANGLES	± -
FINISH	-

MATERIAL

FINISH

DWN A. WU 21JAN2008

CHK S. HOU 21JAN2008

APVD W. KODAMA 21JAN2008

PRODUCT SPEC

APPLICATION SPEC

WEIGHT -

CUSTOMER DRAWING

Tyco Electronics Tyco Electronics Corporation
 Taipei, Taiwan

NAME

0.8 mm PITCH BOARD-TO-BOARD CONNECTOR, FH, PLUG

SIZE	CAGE CODE	DRAWING NO	RESTRICTED TO
A3	00779	C-1775876	-

SCALE - SHEET 2 OF 2 REV B