



Chipsmall Limited consists of a professional team with an average of over 10 year of expertise in the distribution of electronic components. Based in Hongkong, we have already established firm and mutual-benefit business relationships with customers from,Europe,America and south Asia,supplying obsolete and hard-to-find components to meet their specific needs.

With the principle of "Quality Parts,Customers Priority,Honest Operation,and Considerate Service",our business mainly focus on the distribution of electronic components. Line cards we deal with include Microchip,ALPS,ROHM,Xilinx,Pulse,ON,Everlight and Freescale. Main products comprise IC,Modules,Potentiometer,IC Socket,Relay,Connector.Our parts cover such applications as commercial,industrial, and automotives areas.

We are looking forward to setting up business relationship with you and hope to provide you with the best service and solution. Let us make a better world for our industry!



## Contact us

Tel: +86-755-8981 8866 Fax: +86-755-8427 6832

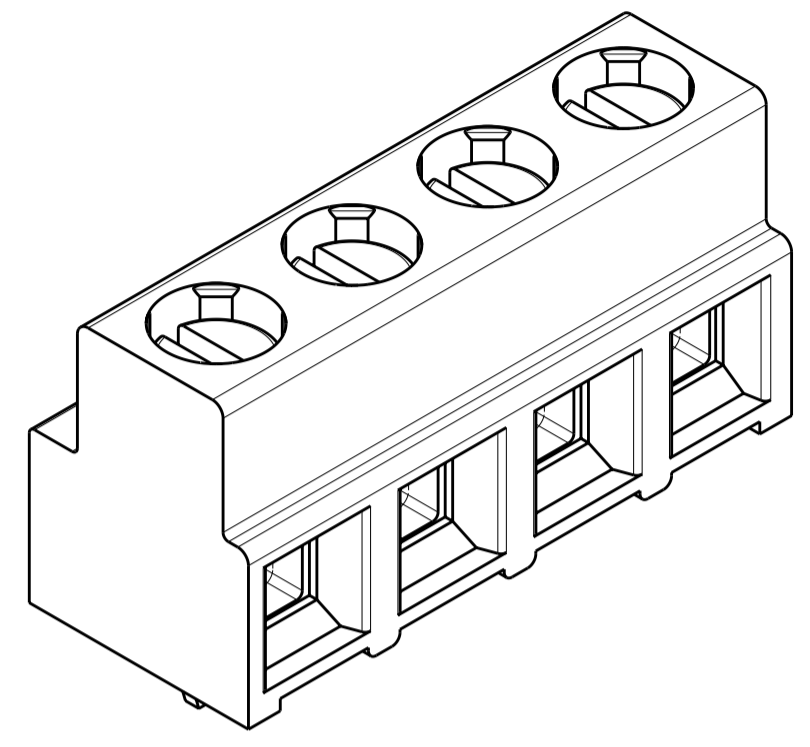
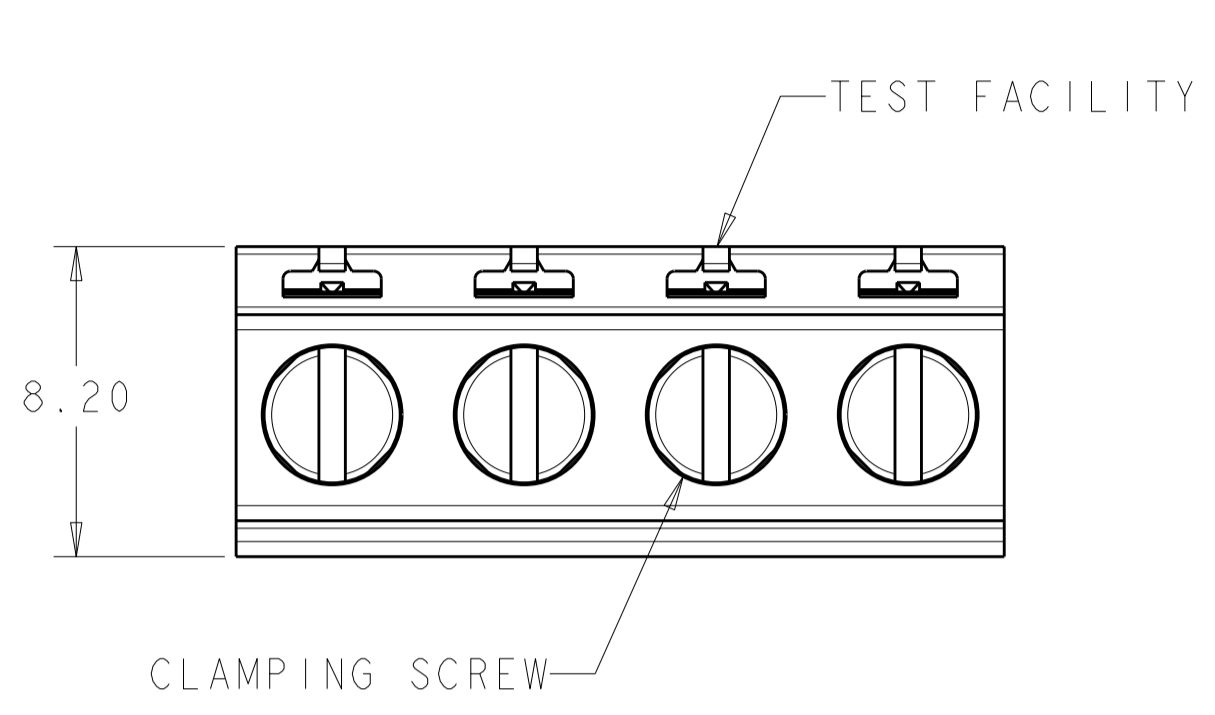
Email & Skype: info@chipsmall.com Web: www.chipsmall.com

Address: A1208, Overseas Decoration Building, #122 Zhenhua RD., Futian, Shenzhen, China

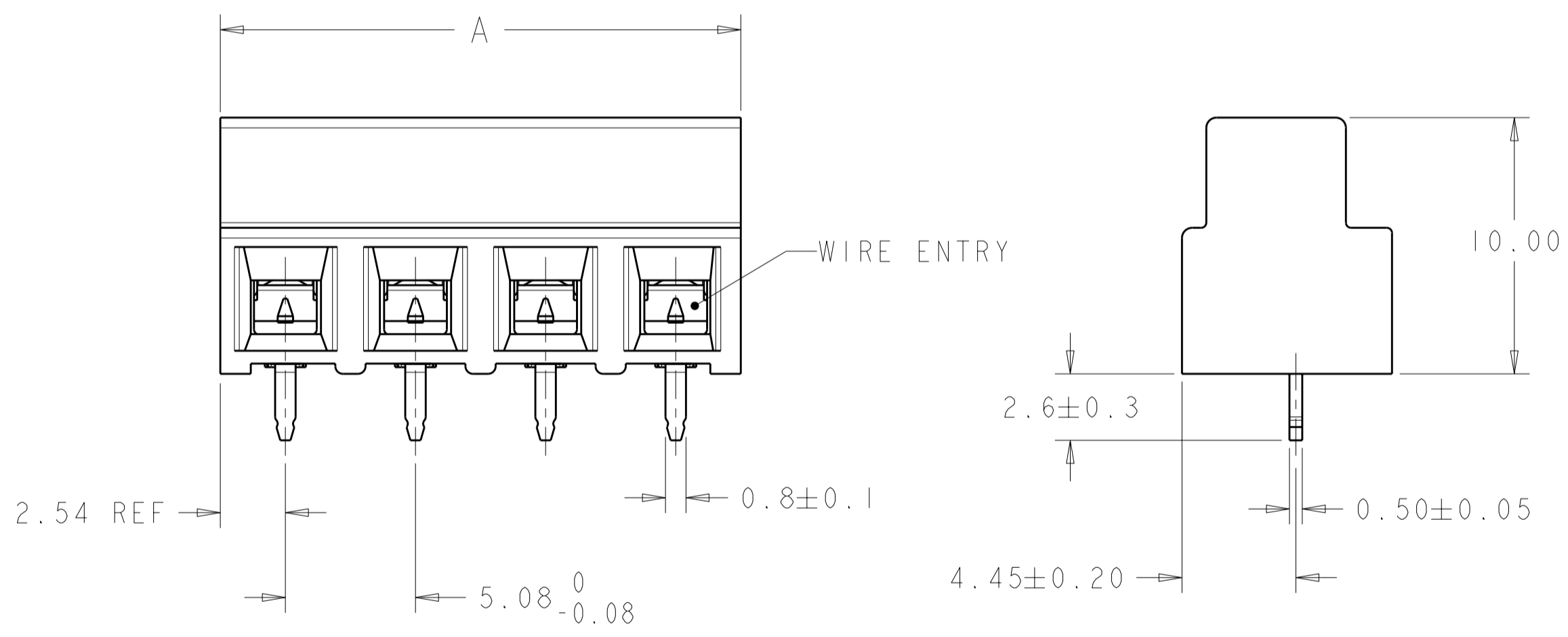


THIS DRAWING IS UNPUBLISHED. RELEASED FOR PUBLICATION 20  
 © COPYRIGHT 20 BY - ALL RIGHTS RESERVED.

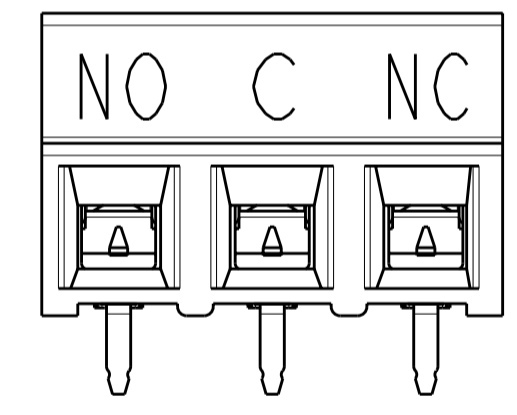
REVISIONS					
P	LTR	DESCRIPTION	DATE	DWN	APVD
B6		REVISED PER ECO-12-009418	17MAY2012	KH	MS



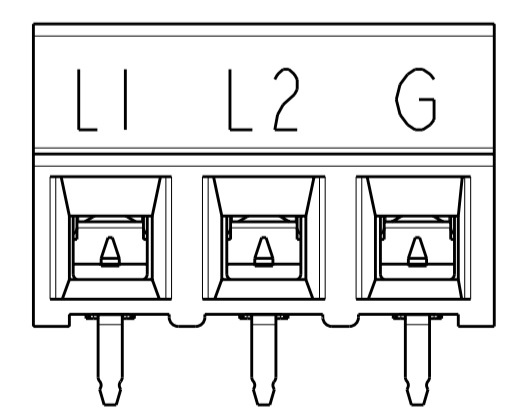
1776119-4 AS SHOWN



- MATERIAL AND FINISH  
 HOUSING: HIGH TEMPERATURE POLYAMIDE, UL 94V-0 RATED,  
 COLOR: BLACK  
 CLAMP: BRASS, NICKEL PLATED.  
 TERMINAL: BRASS, TIN PLATED.  
 CLAMPING SCREW: M3, BRASS, NICKEL PLATED.
  - SUITABLE FOR 1.6-2.4mm PC BOARD THICKNESS
  - END-TO-END STACKABLE WITHOUT LOSS OF CENTERLINE SPACING.
  - WIRE SIZE RANGE: 16-30 AWG.
  - RECOGNIZED UNDER THE COMPONENT PROGRAM OF UNDERWRITERS LABORATORIES IN.. FILE NO. E60677.
  - IMQ CERTIFICATE WITH SURVEILLANCE IN CONFORMITY WITH IEC 998-1/998-2-1.
- △ PERMANENT INK MARKING, WHITE.

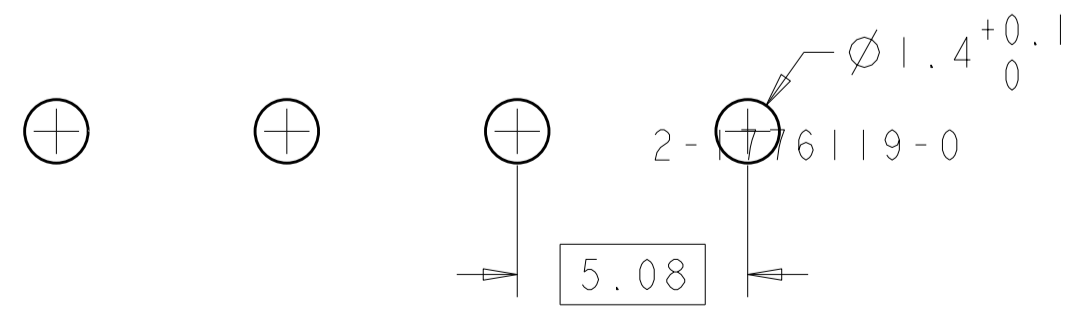


2-1776119-0



2-1776119-1

△	15.24 <sup>+0</sup> <sub>-0.22</sub>	3	2-1776119-1
△	15.24 <sup>+0</sup> <sub>-0.22</sub>	3	2-1776119-0
	30.48 <sup>+0</sup> <sub>-0.45</sub>	6	1776119-6
	25.40 <sup>+0</sup> <sub>-0.38</sub>	5	1776119-5
	20.32 <sup>+0</sup> <sub>-0.30</sub>	4	1776119-4
	15.24 <sup>+0</sup> <sub>-0.22</sub>	3	1776119-3
	10.16 <sup>+0</sup> <sub>-0.16</sub>	2	1776119-2
	A	NO OF POSN	PART NUMBER



RECOMMENDED PC BOARD LAYOUT

THIS DRAWING IS A CONTROLLED DOCUMENT.		DWN S. WELDON 19NOV2008	TE Connectivity	
DIMENSIONS: mm		CHK C. RICHARD 19NOV2008		
TOLERANCES UNLESS OTHERWISE SPECIFIED:		APVD C. RICHARD 19NOV2008	NAME	
0 PLC ±-	1 PLC ±.2	PRODUCT SPEC	TERMINAL BLOCK ASSEMBLY, PCB MOUNT, STACKING, SIDE WIRE ENTRY, 5.08mm PITCH	
2 PLC ±.15	3 PLC ±0.000	APPLICATION SPEC	SIZE	RESTRICTED TO
4 PLC ±0.0000	ANGLES ±2°	FINISH	A200779	C-1776119
MATERIAL		WEIGHT	SCALE 4:1	SHEET 1 OF 1
-		CUSTOMER DRAWING	REV B6	