



Chipsmall Limited consists of a professional team with an average of over 10 year of expertise in the distribution of electronic components. Based in Hongkong, we have already established firm and mutual-benefit business relationships with customers from,Europe,America and south Asia,supplying obsolete and hard-to-find components to meet their specific needs.

With the principle of “Quality Parts,Customers Priority,Honest Operation,and Considerate Service”,our business mainly focus on the distribution of electronic components. Line cards we deal with include Microchip,ALPS,ROHM,Xilinx,Pulse,ON,Everlight and Freescale. Main products comprise IC,Modules,Potentiometer,IC Socket,Relay,Connector.Our parts cover such applications as commercial,industrial, and automotives areas.

We are looking forward to setting up business relationship with you and hope to provide you with the best service and solution. Let us make a better world for our industry!



## Contact us

Tel: +86-755-8981 8866 Fax: +86-755-8427 6832

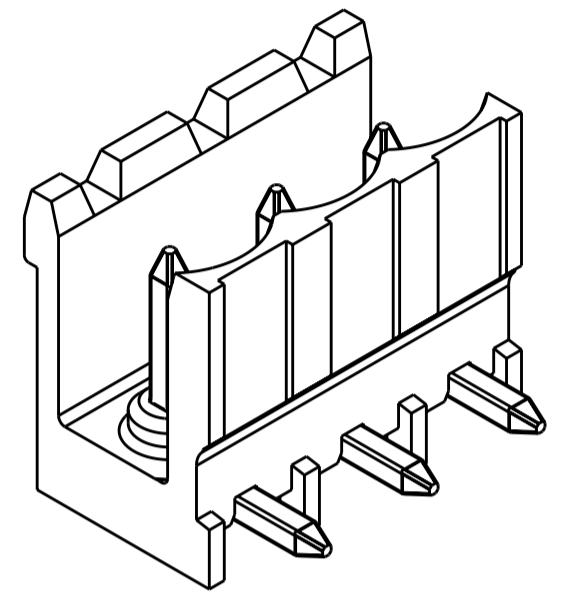
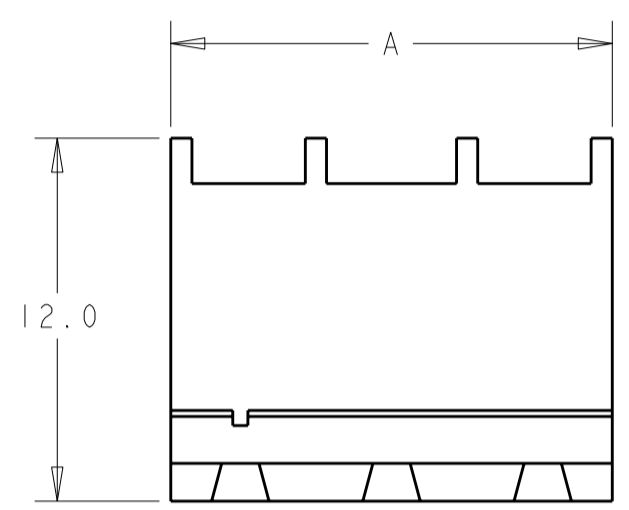
Email & Skype: info@chipsmall.com Web: www.chipsmall.com

Address: A1208, Overseas Decoration Building, #122 Zhenhua RD., Futian, Shenzhen, China



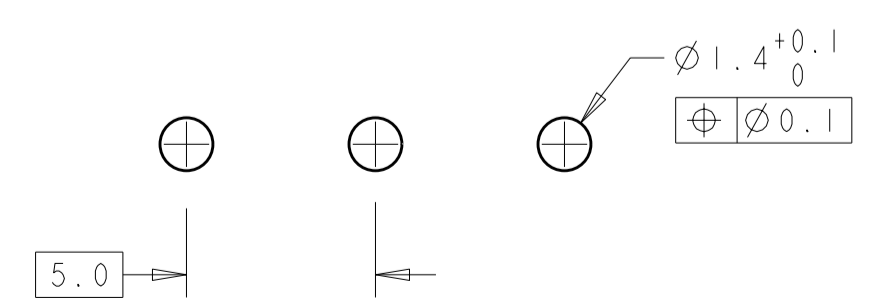
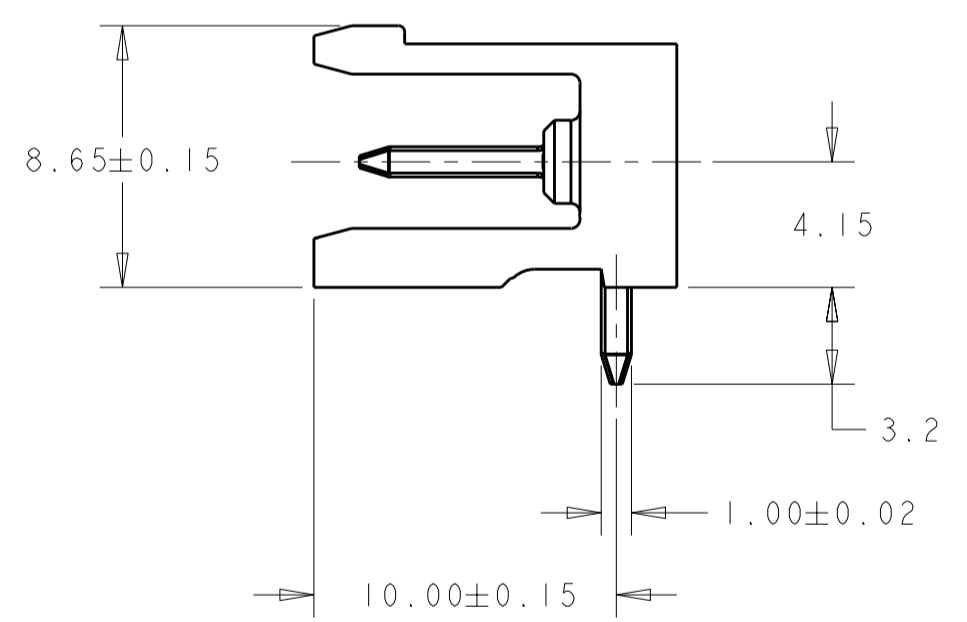
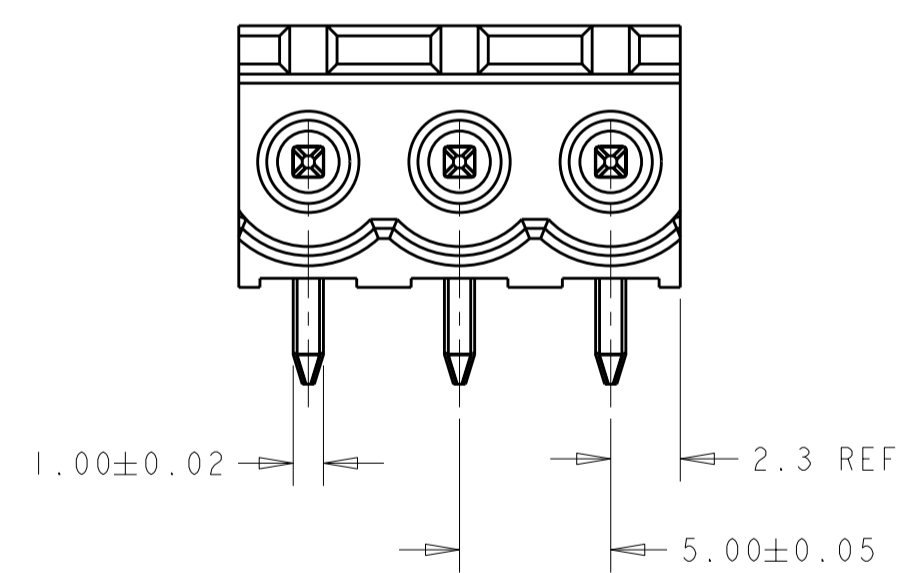
THIS DRAWING IS UNPUBLISHED. RELEASED FOR PUBLICATION 20  
 © COPYRIGHT 20 Tyco Electronics AMP GmbH ALL RIGHTS RESERVED.

LOC		DIST		REVISIONS			
P	LTR	DESCRIPTION	DATE	DWN	APVD		
	AI	REVISED PER ECO-12-007711	26APR2012	KH	MS		



1776140-3 AS SHOWN

1. MATERIALS AND FINISH  
 HOUSING: HIGH TEMPERATURE POLYAMIDE, UL 94V-0 RATED,  
 COLOR: BLACK.  
 TERMINAL: COPPER ALLOY, TIN PLATED.
2. SUITABLE FOR 1,6-2,4mm PC BOARD THICKNESS.
3. END-TO-END STACKABLE WITHOUT LOSS OF CENTERLINE SPACING.
4. RECOGNIZED UNDER THE COMPONENT PROGRAM OF UNDERWRITERS LABORATORIES INC. FILE N° E60677.
5. IMQ CERTIFICATE WITH SURVEILLANCE IN CONFORMITY WITH IEC 998-1/998-2-1.
6. UL RATING: 300V, 15A.



RECOMMENDED PC BOARD LAYOUT

59.6	12	1-1776140-2
54.6	11	1-1776140-1
49.6	10	1-1776140-0
44.6	9	1776140-9
39.6	8	1776140-8
34.6	7	1776140-7
29.6	6	1776140-6
24.6	5	1776140-5
19.6	4	1776140-4
14.6	3	1776140-3
9.6	2	1776140-2
A	NO OF POSN	PART NUMBER

THIS DRAWING IS A CONTROLLED DOCUMENT.		DWN S. WELDON 07JUN2005	TE Connectivity		
DIMENSIONS: mm		CHK C. RICHARD 07JUN2005			
TOLERANCES UNLESS OTHERWISE SPECIFIED:		APVD C. RICHARD 07JUN2005			
0 PLC ±- 1 PLC ±.2 2 PLC ±.25 3 PLC ±- 4 PLC ±- ANGLES ±2 FINISH		PRODUCT SPEC 108-20166	NAME TERMINAL BLOCK HEADER ASSEMBLY 90 DEGREE, OPEN ENDS, STACKING 5.00mm PITCH		
MATERIAL		APPLICATION SPEC 114-20079	SIZE A2	CAGE CODE 00779	DRAWING NO C-1776140
THIS DRAWING IS UNPUBLISHED. RELEASED FOR PUBLICATION 20 © COPYRIGHT 20 Tyco Electronics AMP GmbH ALL RIGHTS RESERVED.		WEIGHT -	RESTRICTED TO -		
CUSTOMER DRAWING		SCALE 3:1		SHEET 1 OF 1	REV AI