



Chipsmall Limited consists of a professional team with an average of over 10 year of expertise in the distribution of electronic components. Based in Hongkong, we have already established firm and mutual-benefit business relationships with customers from,Europe,America and south Asia,supplying obsolete and hard-to-find components to meet their specific needs.

With the principle of “Quality Parts,Customers Priority,Honest Operation,and Considerate Service”,our business mainly focus on the distribution of electronic components. Line cards we deal with include Microchip,ALPS,ROHM,Xilinx,Pulse,ON,Everlight and Freescale. Main products comprise IC,Modules,Potentiometer,IC Socket,Relay,Connector.Our parts cover such applications as commercial,industrial, and automotives areas.

We are looking forward to setting up business relationship with you and hope to provide you with the best service and solution. Let us make a better world for our industry!



## Contact us

Tel: +86-755-8981 8866 Fax: +86-755-8427 6832

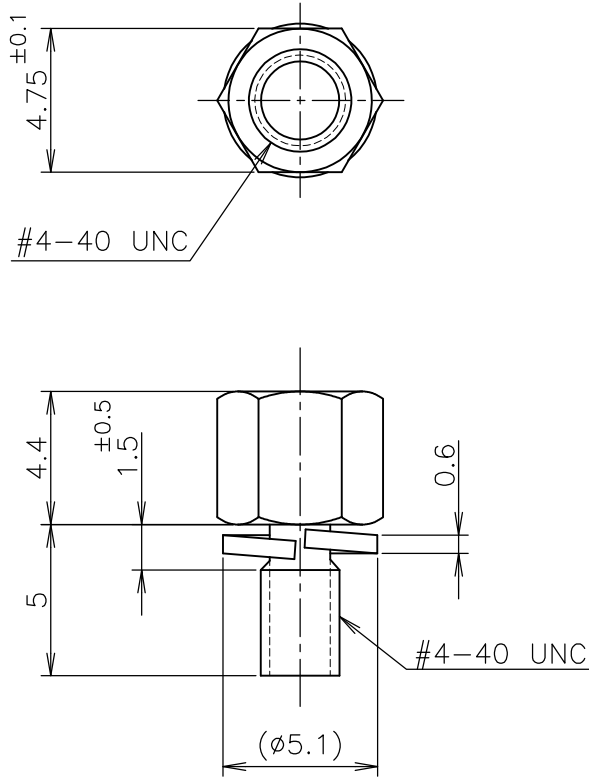
Email & Skype: info@chipsmall.com Web: www.chipsmall.com

Address: A1208, Overseas Decoration Building, #122 Zhenhua RD., Futian, Shenzhen, China



LOC J	DIST F	REVISIONS 変更			DATE	DWN	APVD
P	LTR	DESCRIPTION			25APR08	T.T	T.F
	B	REVISED ECR-08-002095					

-1: 本図  
-1: AS SHOWN



- 1 材料: 鋼
- 2 仕上げ: ニッケルめっき
- 3 スクリューロック取付け時の締め付けトルク: 49N-cm (5kgf-cm) 以下

- 1 MATERIAL: CARBON STEEL
- 2 FINISH: NICKEL PL.
- 3 SCREWLOCK TORQUE WHEN MOUNTED: 49N-cm (5kgf-cm) MAX.

GENERAL TOLERANCE  
一般公差

10 ≥ : ±0.2  
30 ≥ >10 : ±0.25  
100 ≥ >30 : ±0.3  
ANGLES: ±3°

RELEASED FOR PUBLICATION  
JUL , 1994.

ALL RIGHTS RESERVED.

BY TYCO ELECTRONICS CORPORATION.

© COPYRIGHT 1994

THIS DRAWING IS UNPUBLISHED.

DIMENSIONS: 単位: 耗 mm	DWN T.KAWAMAE	29JUL94	MATERIAL 材料	FINISH 仕上
	CHK Y.FUJIURA	29JUL94	Tyco Electronics Corporation Kawasaki, Japan	
TOLERANCES UNLESS OTHERWISE SPECIFIED: 一般公差	APVD Y.FUJIURA	29JUL94		
	0 PLC ± 1 PLC ± 2 PLC ± 3 PLC ± 4 PLC ± ANGLES ±	PRODUCT SPEC 製品規格	APPLICATION SPEC 取付適用規格	SIZE A4
	WEIGHT	DRAWING NO 番号 C-177619	RESTRICTED TO	
	CUSTOMER DRAWING	SCALE 尺度 4:1	SHEET 1 OF 1	REV B