



Chipsmall Limited consists of a professional team with an average of over 10 year of expertise in the distribution of electronic components. Based in Hongkong, we have already established firm and mutual-benefit business relationships with customers from,Europe,America and south Asia,supplying obsolete and hard-to-find components to meet their specific needs.

With the principle of “Quality Parts,Customers Priority,Honest Operation,and Considerate Service”,our business mainly focus on the distribution of electronic components. Line cards we deal with include Microchip,ALPS,ROHM,Xilinx,Pulse,ON,Everlight and Freescale. Main products comprise IC,Modules,Potentiometer,IC Socket,Relay,Connector.Our parts cover such applications as commercial,industrial, and automotives areas.

We are looking forward to setting up business relationship with you and hope to provide you with the best service and solution. Let us make a better world for our industry!



Contact us

Tel: +86-755-8981 8866 Fax: +86-755-8427 6832

Email & Skype: info@chipsmall.com Web: www.chipsmall.com

Address: A1208, Overseas Decoration Building, #122 Zhenhua RD., Futian, Shenzhen, China



THIS DRAWING IS UNPUBLISHED.

RELEASED FOR PUBLICATION

ALL RIGHTS RESERVED.

© COPYRIGHT - By -

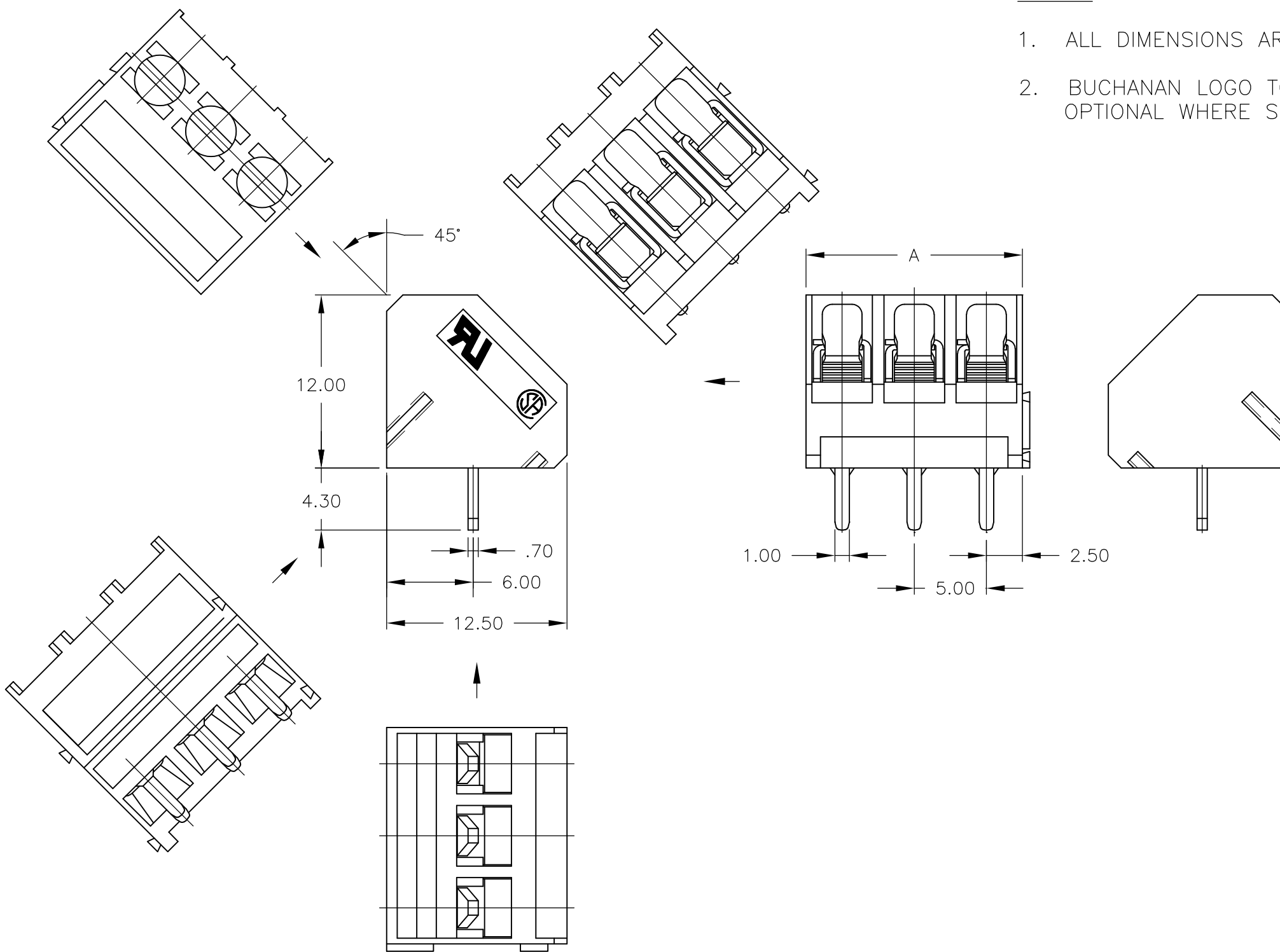
LOC FT DIST 0

REVISIONS

P	LTR	DESCRIPTION	DATE	DWN	APVD
P		REVISED PER ECO-11-004820	11MAR11	RK	HMR

NOTES:

1. ALL DIMENSIONS ARE IN MM.
2. BUCHANAN LOGO TO APPEAR ON HOUSING LOCATION OPTIONAL WHERE SPACE PERMITS.



120.00	24	2-1776252-4
115.00	23	2-1776252-3
110.00	22	2-1776252-2
105.00	21	2-1776252-1
100.00	20	2-1776252-0
95.00	19	1-1776252-9
90.00	18	1-1776252-8
85.00	17	1-1776252-7
80.00	16	1-1776252-6
75.00	15	1-1776252-5
70.00	14	1-1776252-4
65.00	13	1-1776252-3
60.00	12	1-1776252-2
55.00	11	1-1776252-1
50.00	10	1-1776252-0
45.00	9	1776252-9
40.00	8	1776252-8
35.00	7	1776252-7
30.00	6	1776252-6
25.00	5	1776252-5
20.00	4	1776252-4
15.00	3	1776252-3
10.00	2	1776252-2
DIM. A	NO. OF POS.	PART NUMBER

THIS DRAWING IS A CONTROLLED DOCUMENT.		DWN S SCHLEGEL 5/5/05	STE TE Connectivity	
DIMENSIONS: mm		CHK C RICHARD 5/5/05		
TOLERANCES UNLESS OTHERWISE SPECIFIED:		APVD C RICHARD 5/5/05	NAME	
0 PLC ± -		PRODUCT SPEC	TERMINAL BLOCK 45 DEGREE WIRE INLET W/ INTERLOCK, 5.0mm PITCH, HIGH TEMP	
1 PLC ± .3		APPLICATION SPEC	-	
2 PLC ± .25		WEIGHT	SIZE A3	CAGE CODE 00779
3 PLC ± -		MATERIAL -	DRAWING NO C-1776252	
4 PLC ± -			RESTRICTED TO -	
ANGLES ± -		CUSTOMER DRAWING		SCALE NTS
FINISH -		SHEET 1 OF 2		REV P

THIS DRAWING IS UNPUBLISHED. RELEASED FOR PUBLICATION
 © COPYRIGHT - By - ALL RIGHTS RESERVED.

LOC	DIST	REVISIONS			
P	LTR	DESCRIPTION	DATE	DWN	APVD
FT	0	-	SEE SHEET 1	-	-

1. Application and Features:

- 1-1. This series of terminal block has a built-in self lift wire guard clamp to protect against wire pinching.
- 1-2. Standard sizes are 2 and 3 way-blocks, but every number of contact can be combined, by simply plugging them together and can be ordered as required**
- 1-3. Since the wire inlet and the screw are in a 45° position, these terminal blocks are designed specifically to solve poor accessibility problems.—

2-2. Electrical:

- 2-2-1. Current rating: 10 Amps max.
- 2-2-2. Contact resistance: 20m Ω (Max).
- 2-2-3. Insulation resistance: 5000MΩ /1000V.
- 2-2-4. Withstanding Voltage: 1500VAC (1min).
test time =60sec/1pcs
- 2-2-5. Operation Voltage: 300V AC/DC.
- 2-2-6. Wire Range: 14-22 AWG.


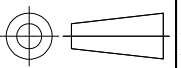
2. Technical Data:

2-1. Material:

- 2-1-1. HOUSING: HIGH TEMP. POLYAMIDE
UL 94 V-0 (Blue).
- 2-1-2. Contact: Brass(Cu Zn), Tin plated.
- 2-1-3. Screw: Steel galvanized and
chromatized, M2.6

2-3. Mechanical:

- 2-3-1. Torque: 4 Kg.cm (Max).
- 2-3-2. Operating temperature: -55°C to +105°C.
- 2-3-3. Solderability: 95% coverage (min).
test temperature=230°C±10°C
test time= 3sec ± 0.5sec.

THIS DRAWING IS A CONTROLLED DOCUMENT.		DWN S SCHLEGEL	5/5/05	 TE Connectivity					
DIMENSIONS: mm		CHK C RICHARD	5/5/05						
		APVD C RICHARD	5/5/05	NAME TERMINAL BLOCK 45 DEGREE WIRE INLET W/ INTERLOCK, 5.0mm PITCH, HIGH TEMP					
TOLERANCES UNLESS OTHERWISE SPECIFIED:		PRODUCT SPEC		APPLICATION SPEC					
0 PLC ± - 1 PLC ± .3 2 PLC ± .25 3 PLC ± - 4 PLC ± - ANGLES ± -		WEIGHT		SIZE	CAGE CODE	DRAWING NO	RESTRICTED TO		
MATERIAL		FINISH		A300779		C=1776252	-		
CUSTOMER DRAWING				SCALE	NTS	SHEET	2 OF 2	REV	P