



Chipsmall Limited consists of a professional team with an average of over 10 year of expertise in the distribution of electronic components. Based in Hongkong, we have already established firm and mutual-benefit business relationships with customers from,Europe,America and south Asia,supplying obsolete and hard-to-find components to meet their specific needs.

With the principle of “Quality Parts,Customers Priority,Honest Operation,and Considerate Service”,our business mainly focus on the distribution of electronic components. Line cards we deal with include Microchip,ALPS,ROHM,Xilinx,Pulse,ON,Everlight and Freescale. Main products comprise IC,Modules,Potentiometer,IC Socket,Relay,Connector.Our parts cover such applications as commercial,industrial, and automotives areas.

We are looking forward to setting up business relationship with you and hope to provide you with the best service and solution. Let us make a better world for our industry!



Contact us

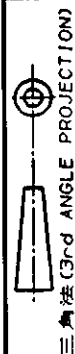
Tel: +86-755-8981 8866 Fax: +86-755-8427 6832

Email & Skype: info@chipsmall.com Web: www.chipsmall.com

Address: A1208, Overseas Decoration Building, #122 Zhenhua RD., Futian, Shenzhen, China

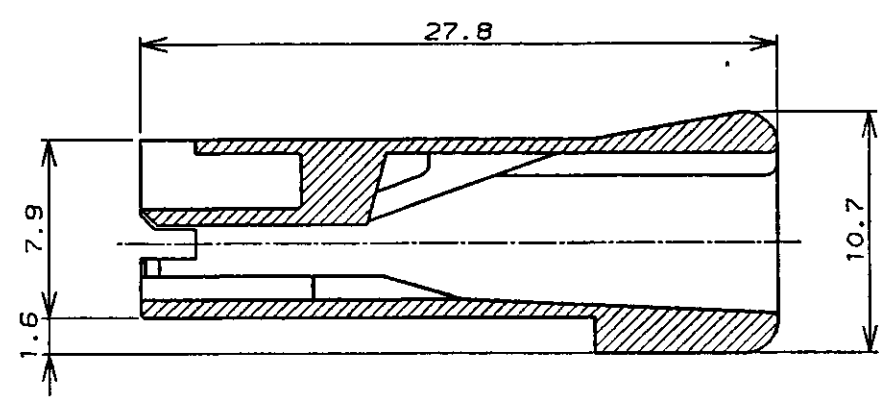
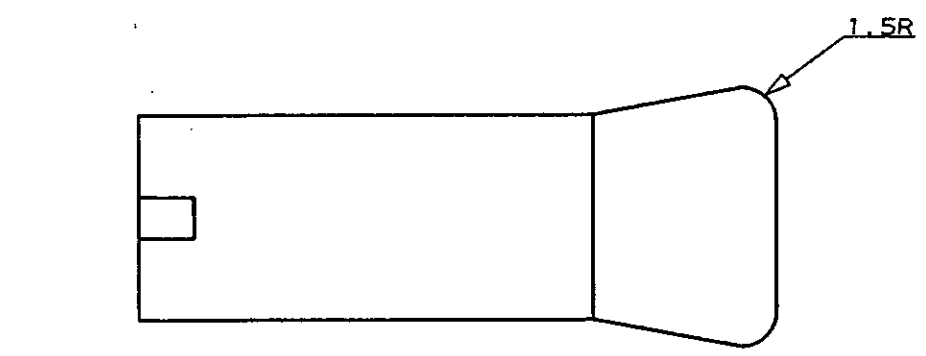
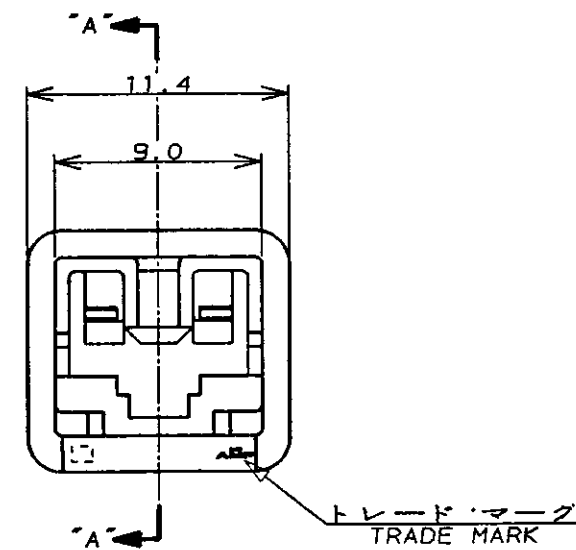


NUMBER C-177627

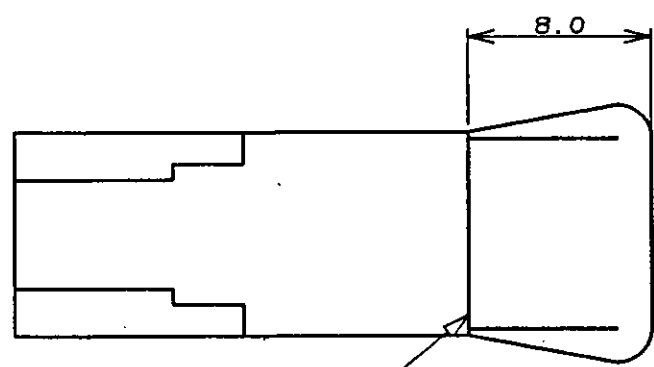
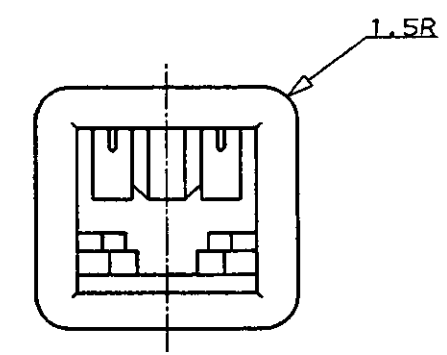


METRIC

PRINT DIST
単位、純 DIMENSIONS IN MM. DO NOT SCALE PRINT



断面 "A"- "A"
SECT



嵌合方向性識別段差
MATING DIRECTION STEP

- 注;
1. 適用製品規格 : 108-5127
2. 適用コンタクト型番 : 170327, 170328, 170329

- NOTES,
1. PRODUCT SPEC , 108-5127
2. APPLIED CONTACT P/N : 170327, 170328, 170329

黒 (BLACK)	177627-9
赤 (RED)	177627-7
青 (BLUE)	177627-6
緑 (GREEN)	177627-5
黄 (YELLOW)	177627-4
自然色 (NATURAL)	177627-1
色 (COLOR)	型番 (P/N)

Copyright ©1992年 日本エー・エム・ピー株式会社		Copyright ©1992 AMP (Japan), LTD. ALL RIGHTS RESERVED.		AMP		日本エー・エム・ピー株式会社 Tokyo, Japan	
包合電線断面積 (WIRE RANGE) — — mm ² (AWG -)		被覆外径 (INSULATION DIA.) — — mmφ		名称 (NAME) 250 SERIES 1Pos POSITIVE LOCK (MARK-II) REC.HSG. 250 シリーズ 1極 ポジティブロック (マークII) ハウジング			
B REVISED FJ00-1872-95		A REVISED FJ00-0688-94		材料 (MATERIAL) NYLON		色 (COLOR) SEE TABLE	
O RELEASED (J-1470)		DR. M.NISHIMURA		DE. M.SUZUKI		一般公差 (GENERAL TOLERANCE) 10以下 : ±0.2 10以上 30以下 : ±0.25 30以上 100以下 : ±0.3 角度 : ±3°	
LTR 変更 (REVISION RECORD)		DR		CHK. Y.FUJITA		APP. Y.FUJITA	
REV. 10/'83		DATE 7/21 '92		DATE 7/21 '92		DATE 7/21 '92	
		LOC B J		番号 (No.) C-177627		尺度 (SCALE) — —	
		REV. B		SHEET 1 OF 1			

(CUSTOMER DRAWING) 参 考 図 面