



Chipsmall Limited consists of a professional team with an average of over 10 year of expertise in the distribution of electronic components. Based in Hongkong, we have already established firm and mutual-benefit business relationships with customers from,Europe,America and south Asia,supplying obsolete and hard-to-find components to meet their specific needs.

With the principle of "Quality Parts,Customers Priority,Honest Operation,and Considerate Service",our business mainly focus on the distribution of electronic components. Line cards we deal with include Microchip,ALPS,ROHM,Xilinx,Pulse,ON,Everlight and Freescale. Main products comprise IC,Modules,Potentiometer,IC Socket,Relay,Connector.Our parts cover such applications as commercial,industrial, and automotives areas.

We are looking forward to setting up business relationship with you and hope to provide you with the best service and solution. Let us make a better world for our industry!



Contact us

Tel: +86-755-8981 8866 Fax: +86-755-8427 6832

Email & Skype: info@chipsmall.com Web: www.chipsmall.com

Address: A1208, Overseas Decoration Building, #122 Zhenhua RD., Futian, Shenzhen, China



THIS DRAWING IS UNPUBLISHED. RELEASED FOR PUBLICATION
 © COPYRIGHT BY TYCO ELECTRONICS CORPORATION. ALL RIGHTS RESERVED.

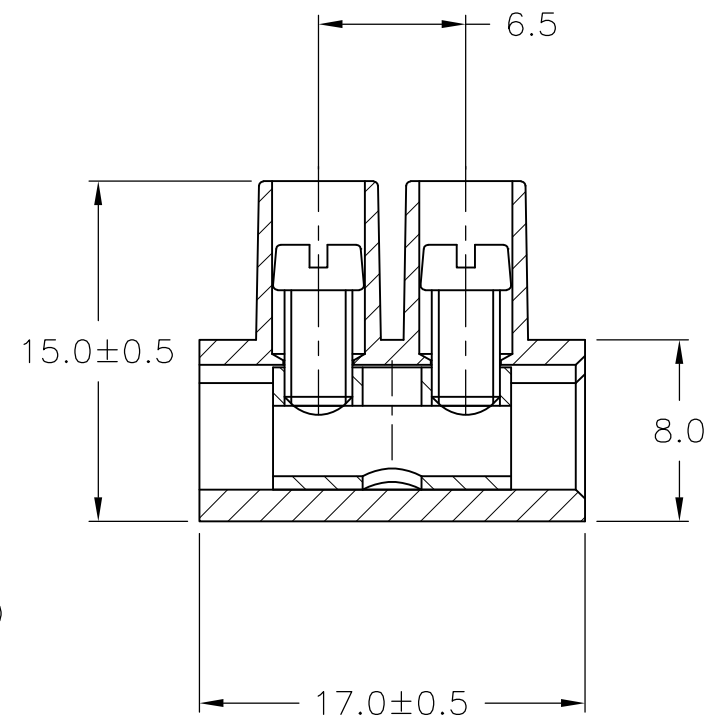
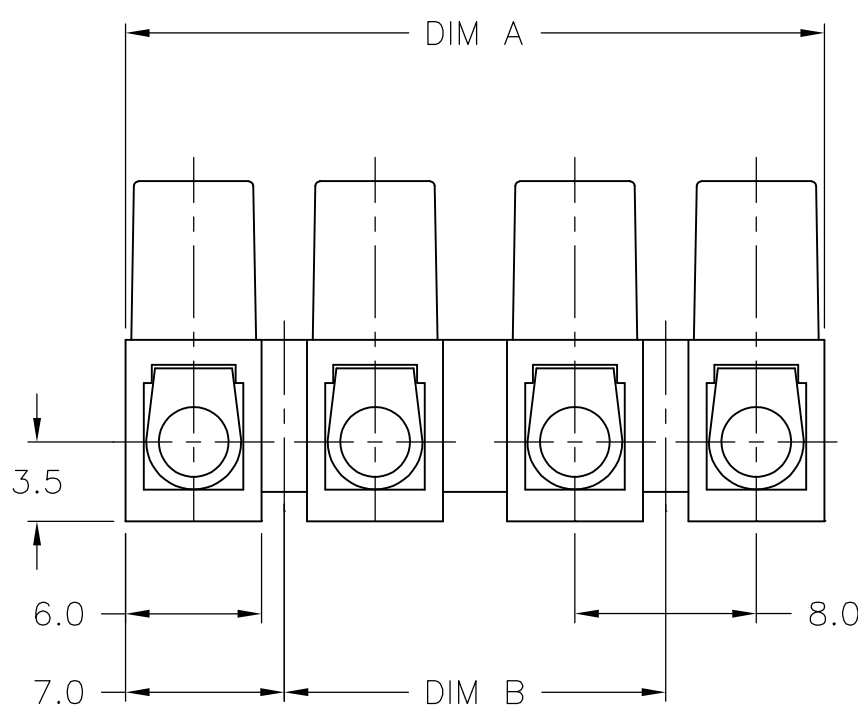
LOC	DIST	REVISIONS					
FT	0	P	LTR	DESCRIPTION	DATE	DWN	APVD
		01		REVISED PER ECO-07-019134	8/20/07	SS	CR

MATERIALS:
 HOUSING: POLYAMIDE 6, UL94V-2.
 COLOR: NATURAL.
 TUBULAR CONTACT: BRASS, TIN PLATED.
 SCREW: M3, STEEL, ZINC PLATED W/ NON-HEXAVALENT CHROMATE (CHROME III).

MECHANICAL:
 PITCH: 8.0mm
 WIRE STRIP LENGTH: 5mm
 MIN. WIRE PULL OUT: 75 LBS.
 RECOMMENDED TIGHTENING TORQUE: 5 IN-LB.

ELECTRICAL PROPERTIES:
 MAXIMUM CURRENT: 30A
 OPERATING VOLTAGE: 250V
 WIRE RANGE: 12-24 AWG
 DIELECTRIC WITHSTAND: 3000V

ENVIRONMENTAL PROPERTIES:
 CONTINUOUS WORKING TEMP: -35°C TO +100°C



80.0	94.0±1.0	12	TSB230 12	1-1776294-2
72.0	86.0±0.7	11	TSB230 11	-
64.0	78.0±0.7	10	TSB230 10	1-1776294-0
56.0	70.0±0.7	9	TSB230 09	1776294-9
48.0	62.0±0.7	8	TSB230 08	1776294-8
40.0	54.0±0.7	7	TSB230 07	-
32.0	46.0±0.7	6	TSB230 06	1776294-6
24.0	38.0±0.5	5	TSB230 05	1776294-5
16.0	30.0±0.5	4	TSB230 04	1776294-4
8.0	22.0±0.5	3	TSB230 03	1776294-3
-	14.0±0.5	2	TSB230 02	1776294-2
-	6.0±0.3	1	TSB230 01	1776294-1
DIM B	DIM A	NO. OF POS.	CATALOG NUMBER	PART NUMBER

THIS DRAWING IS A CONTROLLED DOCUMENT.		DWN S SCHLEGEL 3/18/05	Tyco Electronics Corporation Harrisburg, Pa 17105-3608		
DIMENSIONS: mm		CHK C RICHARD 3/18/05	NAME 8.0mm PITCH, 30A, W/ TUNNEL CONNECTION EUROPA TERMINAL BLOCK		
TOLERANCES UNLESS OTHERWISE SPECIFIED:		APVD C RICHARD 3/18/05	PRODUCT SPEC		
0 PLC ± - 1 PLC ± 0.3 2 PLC ± 0.25 3 PLC ± - 4 PLC ± - ANGLES ± -		APPLICATION SPEC		RESTRICTED TO	
MATERIAL	FINISH	WEIGHT	SIZE A3	CAGE CODE 00779	DRAWING NO 1776294
CUSTOMER DRAWING			SCALE NTS	SHEET 1 OF 1	REV 01