



Chipsmall Limited consists of a professional team with an average of over 10 year of expertise in the distribution of electronic components. Based in Hongkong, we have already established firm and mutual-benefit business relationships with customers from,Europe,America and south Asia,supplying obsolete and hard-to-find components to meet their specific needs.

With the principle of "Quality Parts,Customers Priority,Honest Operation,and Considerate Service",our business mainly focus on the distribution of electronic components. Line cards we deal with include Microchip,ALPS,ROHM,Xilinx,Pulse,ON,Everlight and Freescale. Main products comprise IC,Modules,Potentiometer,IC Socket,Relay,Connector.Our parts cover such applications as commercial,industrial, and automotives areas.

We are looking forward to setting up business relationship with you and hope to provide you with the best service and solution. Let us make a better world for our industry!



Contact us

Tel: +86-755-8981 8866 Fax: +86-755-8427 6832

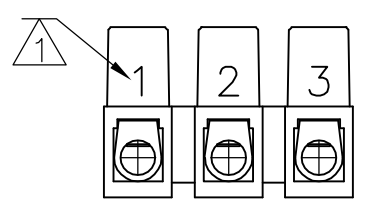
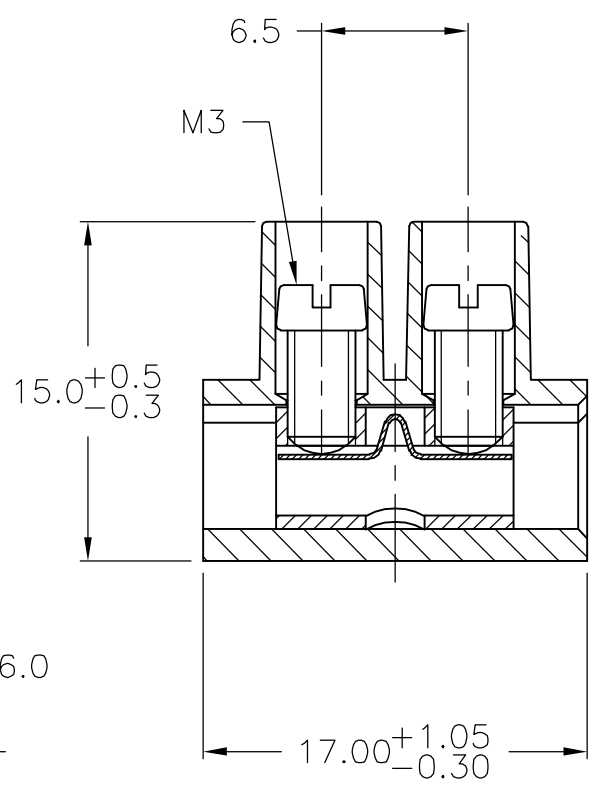
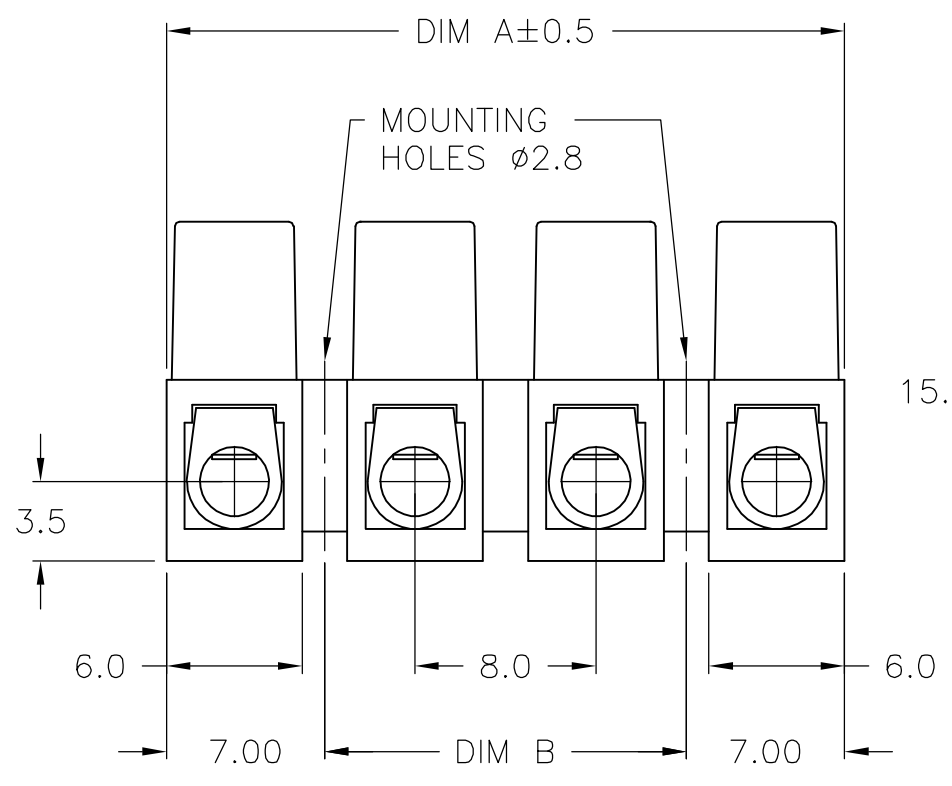
Email & Skype: info@chipsmall.com Web: www.chipsmall.com

Address: A1208, Overseas Decoration Building, #122 Zhenhua RD., Futian, Shenzhen, China



THIS DRAWING IS UNPUBLISHED. RELEASED FOR PUBLICATION
 © COPYRIGHT BY TYCO ELECTRONICS CORPORATION. ALL RIGHTS RESERVED.

LOC	DIST	REVISIONS					
FT	0	P	LTR	DESCRIPTION	DATE	DWN	APVD
			01	REVISED PER ECO-05-8661	9/1/05	SS	CR



1-1779295-3

MATERIAL:
 HOUSING: POLYIMIDE 6 UL94V-0.
 COLOR: BROWN.
 TUBULAR CONTACT: BRASS TIN PLATED.
 SCREW: STEEL M3 ZINC W/ NON-HEXAVALENT CHROMATE (CHROME III).
 WIRE PROTECTOR: STAINLESS STEEL.

ELECTRICAL:
 CURRENT RATING: 30A.
 OPERATING VOLTAGE: 250V.
 WIRE RANGE: 12-26 AWG.

ENVIRONMENTAL:
 CONTINUOUS WORKING TEMP.: -35°C TO +150°C.

△ MARKED WITH PERMANENT INK.

△	8.0	22.0	3	TSB23003DS HT	1-1776295-3
	80.0	94.0	12	TSB23012DS HT	1-1776295-2
	72.0	86.0	11	TSB23011DS HT	1-1776295-1
	64.0	78.0	10	TSB23010DS HT	1-1776295-0
	56.0	70.0	9	TSB23009DS HT	1776295-9
	48.0	62.0	8	TSB23008DS HT	1776295-8
	40.0	54.0	7	TSB23007DS HT	1776295-7
	32.0	46.0	6	TSB23006DS HT	1776295-6
	24.0	38.0	5	TSB23005DS HT	1776295-5
	16.0	30.0	4	TSB23004DS HT	1776295-4
	8.0	22.0	3	TSB23003DS HT	1776295-3
	-	14.0	2	TSB23002DS HT	1776295-2
	-	6.0	1	TSB23001DS HT	1776295-1
	DIM B	DIM A	NO. POSN	CATALOG NUMBER	TYCO PART NUMBER

THIS DRAWING IS A CONTROLLED DOCUMENT.		DWN	S SCHLEGEL	3/18/05	Tyco Electronics Corporation Harrisburg, Pa 17105-3608	
DIMENSIONS: mm		CHK	C RICHARD	3/18/05		
TOLERANCES UNLESS OTHERWISE SPECIFIED:		APVD	C RICHARD	3/18/05	NAME	
0 PLC ± - 1 PLC ± .3 2 PLC ± .25 3 PLC ± - 4 PLC ± - ANGLES ± 2		PRODUCT SPEC		HIGH TEMP EUROPA TERMINAL BLOCK W/WIRE PROTECTOR MOUNTING HOLES 2.8 DIA., 8.0mm PITCH		
MATERIAL		APPLICATION SPEC		SIZE		
FINISH		WEIGHT		CAGE CODE		RESTRICTED TO
-		-		A3 00779		-
CUSTOMER DRAWING				DRAWING NO		SCALE
				G=1776295		NTS
				SHEET		REV
				1 OF 1		01