



Chipsmall Limited consists of a professional team with an average of over 10 year of expertise in the distribution of electronic components. Based in Hongkong, we have already established firm and mutual-benefit business relationships with customers from,Europe,America and south Asia,supplying obsolete and hard-to-find components to meet their specific needs.

With the principle of "Quality Parts,Customers Priority,Honest Operation,and Considerate Service",our business mainly focus on the distribution of electronic components. Line cards we deal with include Microchip,ALPS,ROHM,Xilinx,Pulse,ON,Everlight and Freescale. Main products comprise IC,Modules,Potentiometer,IC Socket,Relay,Connector.Our parts cover such applications as commercial,industrial, and automotives areas.

We are looking forward to setting up business relationship with you and hope to provide you with the best service and solution. Let us make a better world for our industry!



Contact us

Tel: +86-755-8981 8866 Fax: +86-755-8427 6832

Email & Skype: info@chipsmall.com Web: www.chipsmall.com

Address: A1208, Overseas Decoration Building, #122 Zhenhua RD., Futian, Shenzhen, China



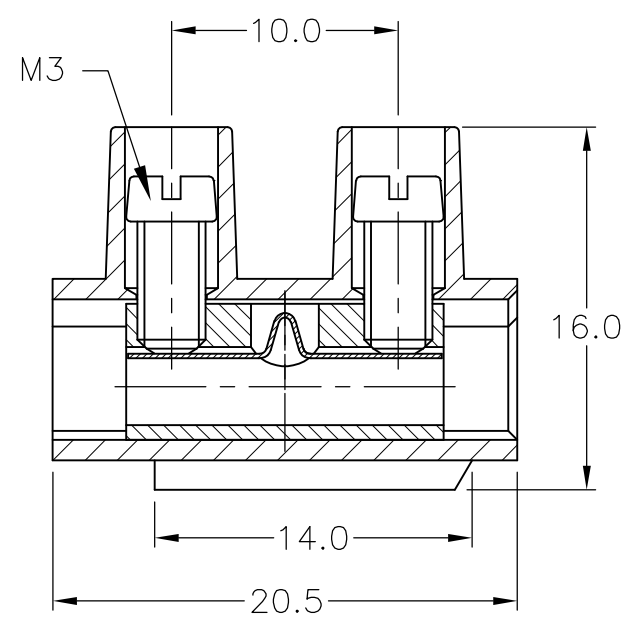
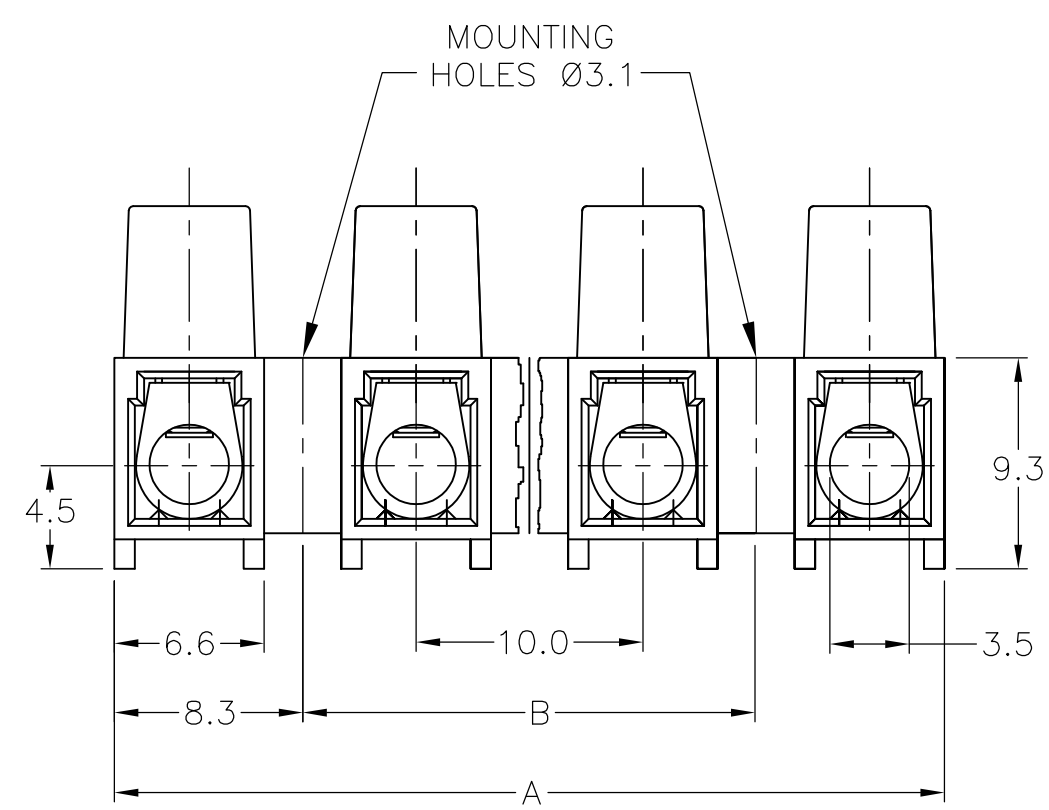
THIS DRAWING IS UNPUBLISHED. RELEASED FOR PUBLICATION
 © COPYRIGHT - By - ALL RIGHTS RESERVED.

LOC	DIST	REVISIONS					
FT	0	P	LTR	DESCRIPTION	DATE	DWN	APVD
		P		REVISED PER ECO-11-004820	11MAR11	RK	HMR

MATERIAL:
 HOUSING: POLYAMIDE 6, UL94V-2.
 COLOR: NATURAL (OFF WHITE).
 TUBULAR CONTACT: BRASS, TIN PLATED.
 SCREW: M3, STEEL, ZINC PLATED W/ NON-
 HEXAVALENT CHROMATE (CHROME III).
 WIRE PROTECTION: STAINLESS STEEL.

ELECTRICAL:
 CURRENT RATING: 30A, 250V, 10-22 AWG.
 CURRENT RATING: 25A, 250V, 12-24 AWG.
 WIRE RANGE: 10-24.

ENVIRONMENTAL:
 CONTINUOUS WORKING TEMP.: -35°C TO +100°C.



100	116.6	TSB500 1231DS	1-1776296-2
90	106.6	TSB500 1131DS	1-1776296-1
80	96.6	TSB500 1031DS	1-1776296-0
70	86.6	TSB500 0931DS	1776296-9
60	76.6	TSB500 0831DS	1776296-8
50	66.6	TSB500 0731DS	1776296-7
40	56.6	TSB500 0631DS	1776296-6
30	46.6	TSB500 0531DS	1776296-5
20	36.6	TSB500 0431DS	1776296-4
10	26.6	TSB500 0331DS	1776296-3
-	16.6	TSB500 0213DS	1776296-2
-	6.6	TSB500 0131DS	1776296-1
DIM B	DIM A	T & B PART NUMBER	PART NUMBER

THIS DRAWING IS A CONTROLLED DOCUMENT.		DWN	S SCHLEGEL	3/18/05	STE TE Connectivity		
DIMENSIONS: mm		CHK	C RICHARD	3/18/05			
TOLERANCES UNLESS OTHERWISE SPECIFIED:		APVD	C RICHARD	3/18/05	NAME		
0 PLC ± -		PRODUCT SPEC		EUROPA TERMINAL BLOCK W/WIRE PROTECTOR			
1 PLC ± .3		APPLICATION SPEC		MOUNTING HOLES DIA 3.1, 10mm PITCH			
2 PLC ± .25		SIZE	A3	CAGE CODE	00779	DRAWING NO	C-1776296
3 PLC ± -		WEIGHT	-	RESTRICTED TO		-	
4 PLC ± -		CUSTOMER DRAWING					
ANGLES ± 2		SCALE	NTS		SHEET	1 OF 1	
FINISH -		REV		P			