



Chipsmall Limited consists of a professional team with an average of over 10 year of expertise in the distribution of electronic components. Based in Hongkong, we have already established firm and mutual-benefit business relationships with customers from,Europe,America and south Asia,supplying obsolete and hard-to-find components to meet their specific needs.

With the principle of “Quality Parts,Customers Priority,Honest Operation,and Considerate Service”,our business mainly focus on the distribution of electronic components. Line cards we deal with include Microchip,ALPS,ROHM,Xilinx,Pulse,ON,Everlight and Freescale. Main products comprise IC,Modules,Potentiometer,IC Socket,Relay,Connector.Our parts cover such applications as commercial,industrial, and automotives areas.

We are looking forward to setting up business relationship with you and hope to provide you with the best service and solution. Let us make a better world for our industry!



## Contact us

Tel: +86-755-8981 8866 Fax: +86-755-8427 6832

Email & Skype: info@chipsmall.com Web: www.chipsmall.com

Address: A1208, Overseas Decoration Building, #122 Zhenhua RD., Futian, Shenzhen, China



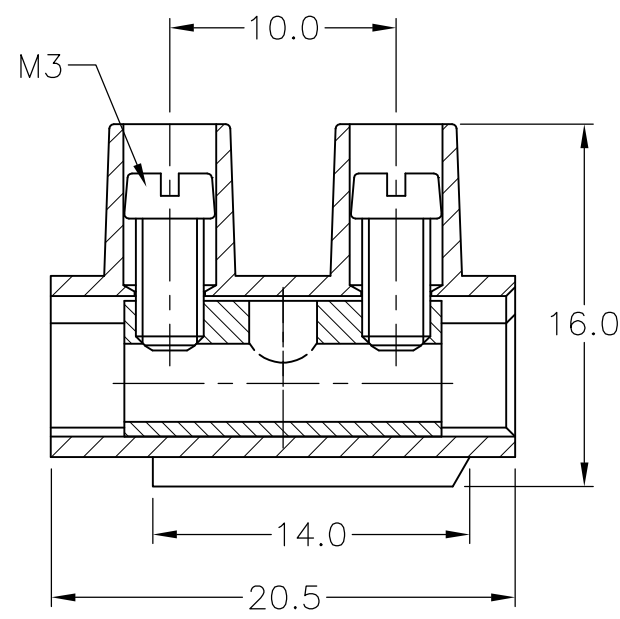
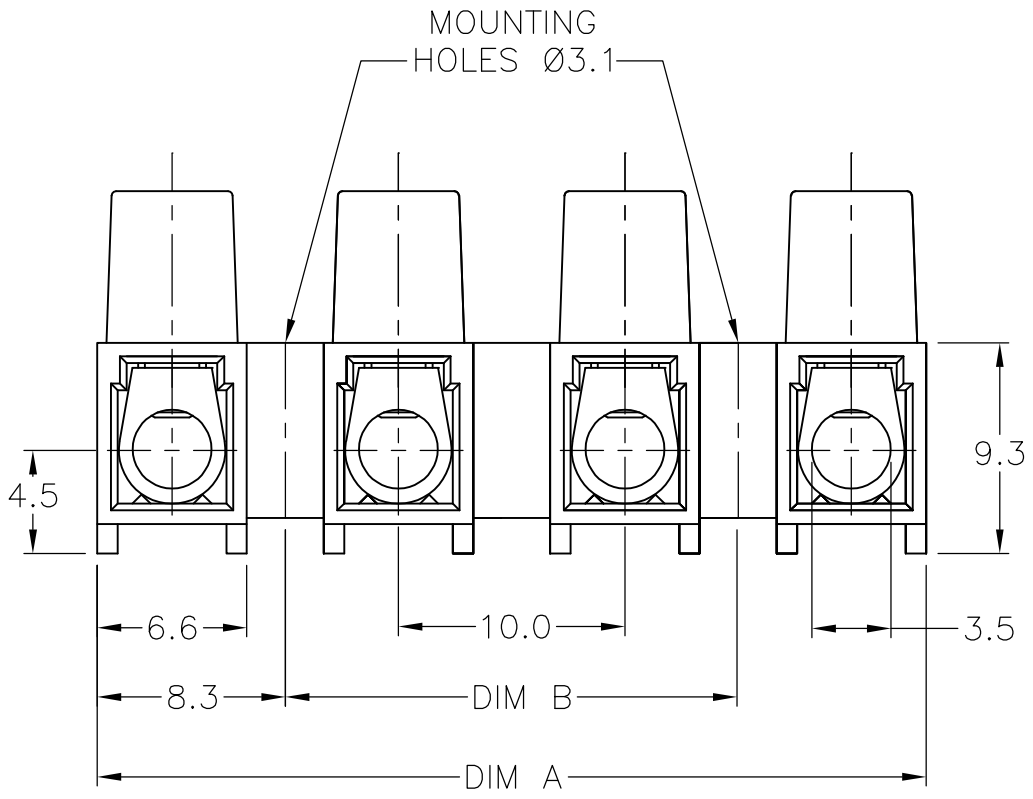
THIS DRAWING IS UNPUBLISHED. RELEASED FOR PUBLICATION  
 © COPYRIGHT BY TYCO ELECTRONICS CORPORATION. ALL INTERNATIONAL RIGHTS RESERVED.

LOC FT	DIST 0	REVISIONS			
P	LTR	DESCRIPTION	DATE	DWN	APVD
	01	REVISED PER ECO-08-014554	11JUN08	HMR	CR

MATERIAL:  
 HOUSING: POLYAMIDE 6, UL94V-2.  
 COLOR: NATURAL (OFF WHITE)  
 CONTACT: BRASS, TIN PLATED.  
 SCREW: M3, STEEL, ZINC PLATED W/ NON-HEXAVALENT CHROMATE (CHROME III).

ELECTRICAL:  
 CURRENT RATING: 30A.  
 OPERATING VOLTAGE: 250V.  
 WIRE RANGE: 10-22 AWG.  
 DIELECTRIC WITHSTAND: 3500V.

ENVIRONMENT:  
 CONTINUOUS WORKING TEMP.: -35°C TO +100°C



100	116.6	12	TSB500 1231	1-1776297-2
90	106.6	11	TSB500 1131	1-1776297-1
80	96.6	10	TSB500 1031	1-1776297-0
70	86.6	9	TSB500 0931	1776297-9
60	76.6	8	TSB500 0831	1776297-8
50	66.6	7	TSB500 0731	1776297-7
40	56.6	6	TSB500 0631	1776297-6
30	46.6	5	TSB500 0531	1776297-5
20	36.6	4	TSB500 0431	1776297-4
10	26.6	3	TSB500 0331	1776297-3
-	16.6	2	TSB500 0231	1776297-2
-	6.6	1	TSB500 0131	1776297-1
DIM B	DIM A	NO. OF POS.	CATALOG NUMBER	TE PART NUMBER

THIS DRAWING IS A CONTROLLED DOCUMENT.		DWN S SCHLEGEL 3/18/05	Tyco Electronics Corporation Harrisburg, PA 17105-3608			
DIMENSIONS: mm		CHK C RICHARD 3/18/05				
		APVD C RICHARD 3/18/05				
TOLERANCES UNLESS OTHERWISE SPECIFIED:		PRODUCT SPEC	NAME EUROPA TERMINAL BLOCK, 10.0mm PITCH, MOUNTING HOLES Ø 3.1			
0 PLC ± - 1 PLC ± 0.3 2 PLC ± 0.25 3 PLC ± - 4 PLC ± - ANGLES ± 2°		APPLICATION SPEC	SIZE	CAGE CODE	DRAWING NO	RESTRICTED TO
MATERIAL		WEIGHT	A3	00779	C-1776297	-
FINISH		CUSTOMER DRAWING		SCALE	SHEET	REV
-		-		NTS	1 OF 1	01