



Chipsmall Limited consists of a professional team with an average of over 10 year of expertise in the distribution of electronic components. Based in Hongkong, we have already established firm and mutual-benefit business relationships with customers from,Europe,America and south Asia,supplying obsolete and hard-to-find components to meet their specific needs.

With the principle of “Quality Parts,Customers Priority,Honest Operation,and Considerate Service”,our business mainly focus on the distribution of electronic components. Line cards we deal with include Microchip,ALPS,ROHM,Xilinx,Pulse,ON,Everlight and Freescale. Main products comprise IC,Modules,Potentiometer,IC Socket,Relay,Connector.Our parts cover such applications as commercial,industrial, and automotives areas.

We are looking forward to setting up business relationship with you and hope to provide you with the best service and solution. Let us make a better world for our industry!



Contact us

Tel: +86-755-8981 8866 Fax: +86-755-8427 6832

Email & Skype: info@chipsmall.com Web: www.chipsmall.com

Address: A1208, Overseas Decoration Building, #122 Zhenhua RD., Futian, Shenzhen, China



THIS DRAWING IS UNPUBLISHED. RELEASED FOR PUBLICATION
 © COPYRIGHT - By - ALL RIGHTS RESERVED.

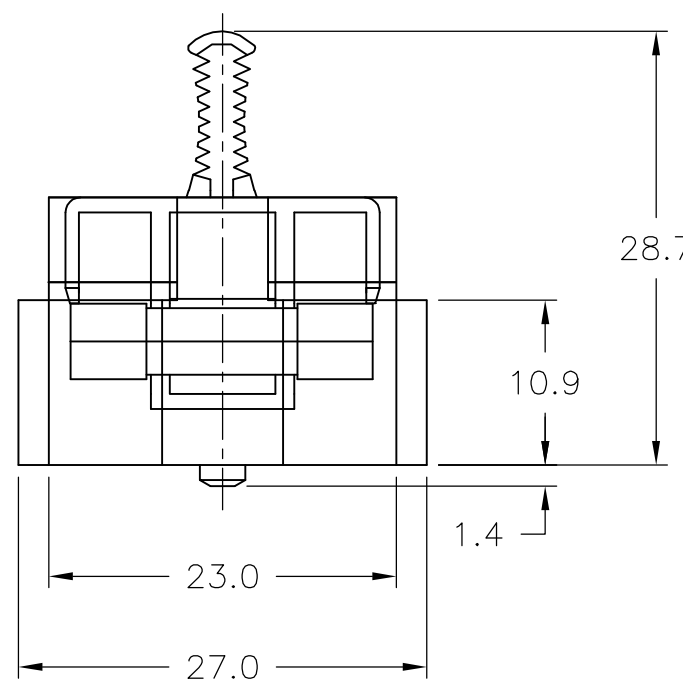
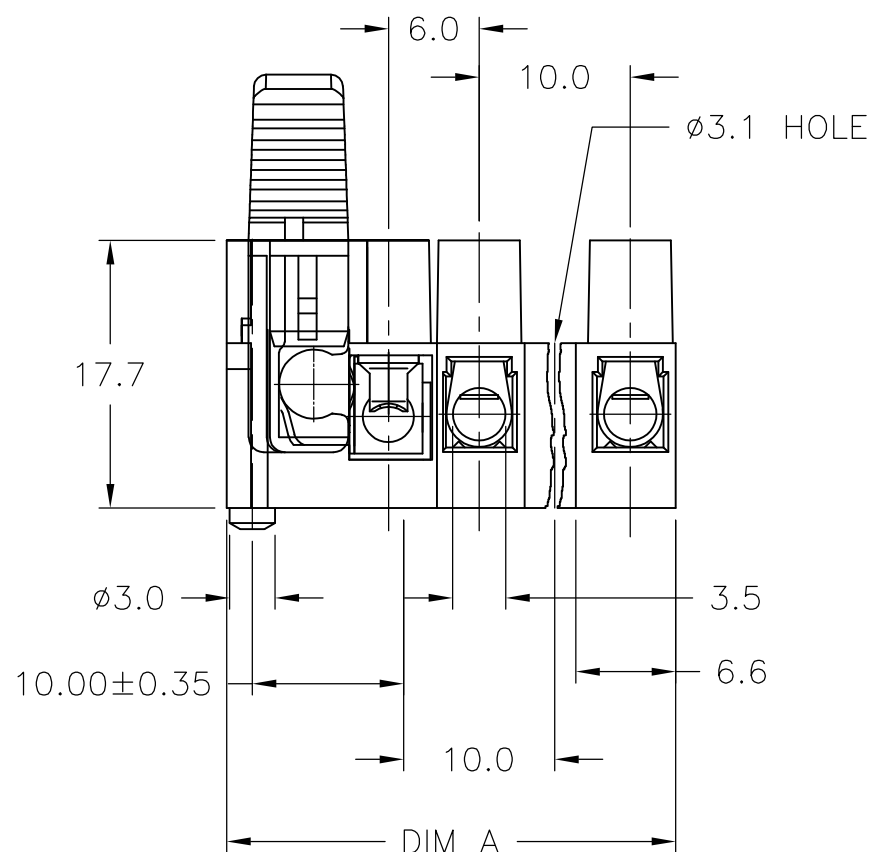
LOC	DIST	REVISIONS					
P	LTR	DESCRIPTION	DATE	DWN	APVD		
FT	0	P	P	REVISED PER ECO-11-005027	11MAR11	RK	HMR

MATERIAL:
 HOUSING: POLYAMIDE 6/6, GRAY, HANDLE BLACK.
 INSERTS: BRASS, TIN PLATED.
 CONTACTS FOR FUSES: STAINLESS SPRING STEEL.
 SCREWS: M3, STEEL, ZINC PLATED, NON-HEXAVALENT CHROMATE (CHROME III).

VOLTAGE RATING:
 FUSE HOLDERS: 250V
 TERMINAL BLOCKS: 400V

CURRENT RATING:
 FUSE HOLDERS: 10A
 TERMINAL BLOCKS: 16A

WIRE RANGE: 12-22 AWG




30.0	503SI/3EDS	2-1776301-3
DIM A	CATALOG NO.	PART NUMBER
WIRE PROTECTOR GROUND		

50.0	503SI/5E	1-1776301-5
40.0	503SI/4E	1-1776301-4
30.0	503SI/3E	1-1776301-3
DIM A	CATALOG NO.	PART NUMBER
TUNNEL CONNECTION GROUND		

50.0	503SI/5DS	1-1776301-0
40.0	503SI/4DS	1776301-9
30.0	503SI/3DS	1776301-8
20.0	503SI/2DS	1776301-7
14.3	503SI/1DS	1776301-6
DIM A	CATALOG NO.	PART NUMBER
WIRE PROTECTOR		

50.0	503SI/5	1776301-5
40.0	503SI/4	1776301-4
30.0	503SI/3	1776301-3
20.0	503SI/2	1776301-2
14.3	503SI/1	1776301-1
DIM A	CATALOG NO.	PART NUMBER
TUNNEL CONNECTION		

THIS DRAWING IS A CONTROLLED DOCUMENT.		DWN S SCHLEGEL 3/21/05	 TE Connectivity FUSED TERMINAL BLOCK 503SI				
DIMENSIONS: mm		CHK S YODER 3/21/05					
TOLERANCES UNLESS OTHERWISE SPECIFIED:		APVD S YODER 3/21/05					
0 PLC ± - 1 PLC ± .3 2 PLC ± .25 3 PLC ± - 4 PLC ± - ANGLES ± -		PRODUCT SPEC -					
MATERIAL -		FINISH -	APPLICATION SPEC -	SIZE A3	CAGE CODE 00779	DRAWING NO C-1776301	RESTRICTED TO -
CUSTOMER DRAWING			WEIGHT -	SCALE NTS	SHEET 1 OF 1	REV P	