



Chipsmall Limited consists of a professional team with an average of over 10 year of expertise in the distribution of electronic components. Based in Hongkong, we have already established firm and mutual-benefit business relationships with customers from,Europe,America and south Asia,supplying obsolete and hard-to-find components to meet their specific needs.

With the principle of “Quality Parts,Customers Priority,Honest Operation,and Considerate Service”,our business mainly focus on the distribution of electronic components. Line cards we deal with include Microchip,ALPS,ROHM,Xilinx,Pulse,ON,Everlight and Freescale. Main products comprise IC,Modules,Potentiometer,IC Socket,Relay,Connector.Our parts cover such applications as commercial,industrial, and automotives areas.

We are looking forward to setting up business relationship with you and hope to provide you with the best service and solution. Let us make a better world for our industry!



Contact us

Tel: +86-755-8981 8866 Fax: +86-755-8427 6832

Email & Skype: info@chipsmall.com Web: www.chipsmall.com

Address: A1208, Overseas Decoration Building, #122 Zhenhua RD., Futian, Shenzhen, China



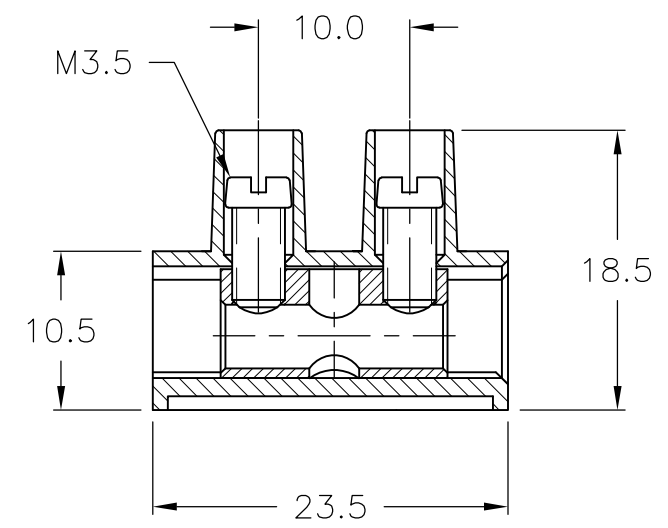
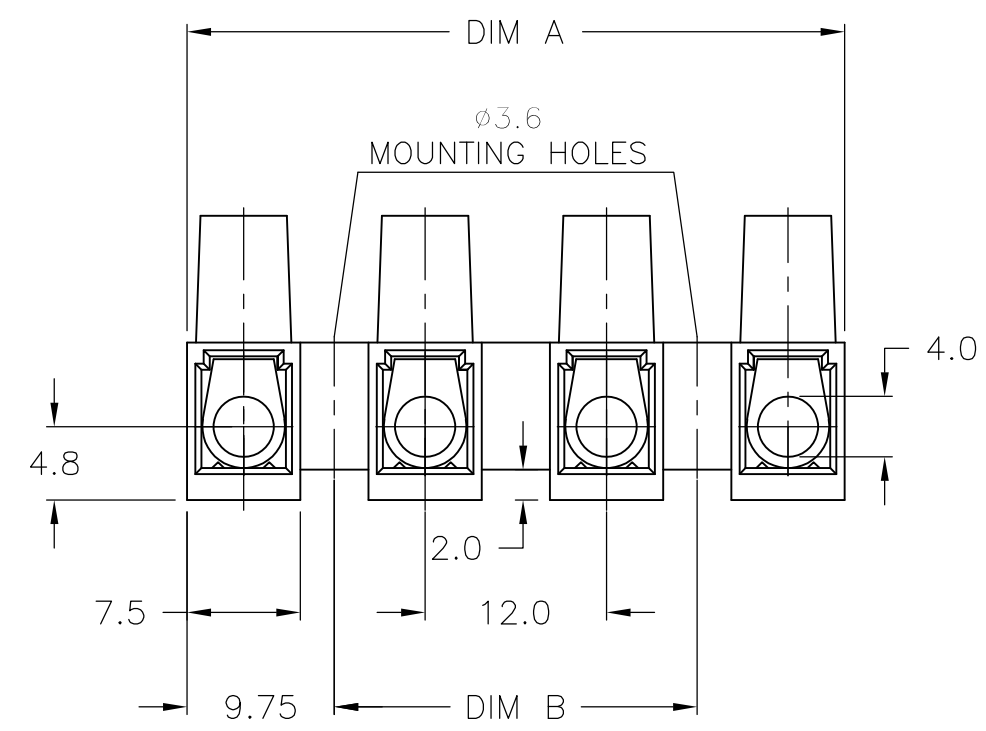
THIS DRAWING IS UNPUBLISHED. RELEASED FOR PUBLICATION
 © COPYRIGHT - By - ALL RIGHTS RESERVED.

LOC	DIST	REVISIONS					
FT	0	P	LTR	DESCRIPTION	DATE	DWN	APVD
		P		REVISED PER ECO-11-005027	11MAR11	RK	HMR

MATERIAL:
 HOUSING: POLYIMIDE 6 UL94V-2.
 COLOR: NATURAL(OFF WHITE).
 TUBULAR CONTACT: BRASS TIN PLATED.
 SCREW: STEEL, M3.5, ZINC PLATED W/ NON-
 HEXAVALENT CHROMATE (CHROME III).

CURRENT RATING: 50A.
 OPERATING VOLTAGE: 250V.
 WIRE RANGE: 8-22 AWG.

CONTINUOUS WORKING TEMPERATURE 100°C MAX.



120.0	139.5	12	TSB100012	1-1776303-2
108.0	127.5	11	TSB100011	1-1776303-1
96.0	115.5	10	TSB100010	1-1776303-0
84.0	103.5	9	TSB100009	1776303-9
72.0	91.5	8	TSB100008	1776303-8
60.0	79.5	7	TSB100007	1776303-7
48.0	67.5	6	TSB100006	1776303-6
36.0	55.5	5	TSB100005	1776303-5
24.0	43.5	4	TSB100004	1776303-4
12.0	31.5	3	TSB100003	1776303-3
-	19.5	2	TSB100002	1776303-2
-	7.5	1	TSB100001	1776303-1
DIM B	DIM A	NO. OF POSN	T & B PART NUMBER	PART NUMBER

THIS DRAWING IS A CONTROLLED DOCUMENT.		DWN	S SCHLEGEL	3/21/05	TE Connectivity NAME EUROPA TSB1000 TUNNEL CONNECTION		
DIMENSIONS: mm		CHK	C RICHARD	3/21/05			
TOLERANCES UNLESS OTHERWISE SPECIFIED:		APVD	C RICHARD	3/21/05			
0 PLC ± - 1 PLC ± 0.3 2 PLC ± 0.25 3 PLC ± - 4 PLC ± - ANGLES ± 2°		PRODUCT SPEC		NAME			
MATERIAL		APPLICATION SPEC		SIZE	CAGE CODE	DRAWING NO	RESTRICTED TO
FINISH		WEIGHT		A3 00779		C-1776303	-
CUSTOMER DRAWING				SCALE	NTS	SHEET	1 OF 1
				REV	P		