



Chipsmall Limited consists of a professional team with an average of over 10 year of expertise in the distribution of electronic components. Based in Hongkong, we have already established firm and mutual-benefit business relationships with customers from,Europe,America and south Asia,supplying obsolete and hard-to-find components to meet their specific needs.

With the principle of "Quality Parts,Customers Priority,Honest Operation,and Considerate Service",our business mainly focus on the distribution of electronic components. Line cards we deal with include Microchip,ALPS,ROHM,Xilinx,Pulse,ON,Everlight and Freescale. Main products comprise IC,Modules,Potentiometer,IC Socket,Relay,Connector.Our parts cover such applications as commercial,industrial, and automotives areas.

We are looking forward to setting up business relationship with you and hope to provide you with the best service and solution. Let us make a better world for our industry!



## Contact us

Tel: +86-755-8981 8866 Fax: +86-755-8427 6832

Email & Skype: info@chipsmall.com Web: www.chipsmall.com

Address: A1208, Overseas Decoration Building, #122 Zhenhua RD., Futian, Shenzhen, China



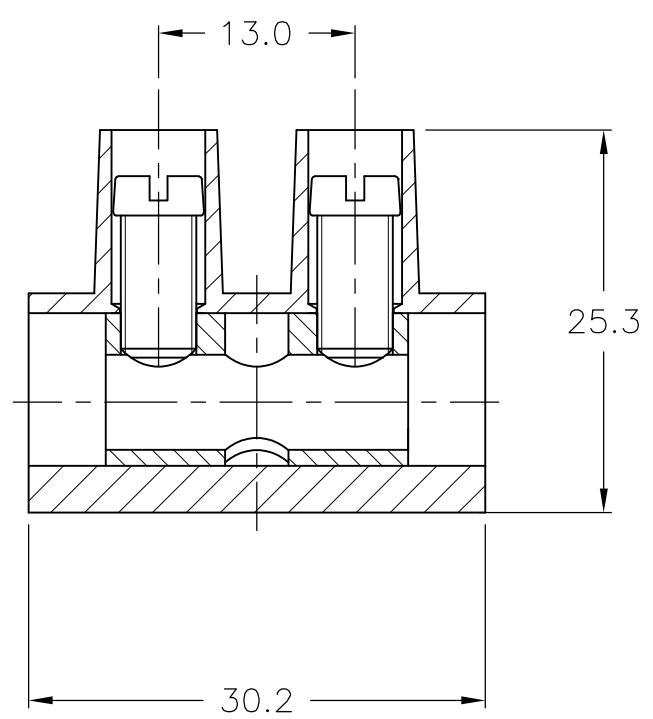
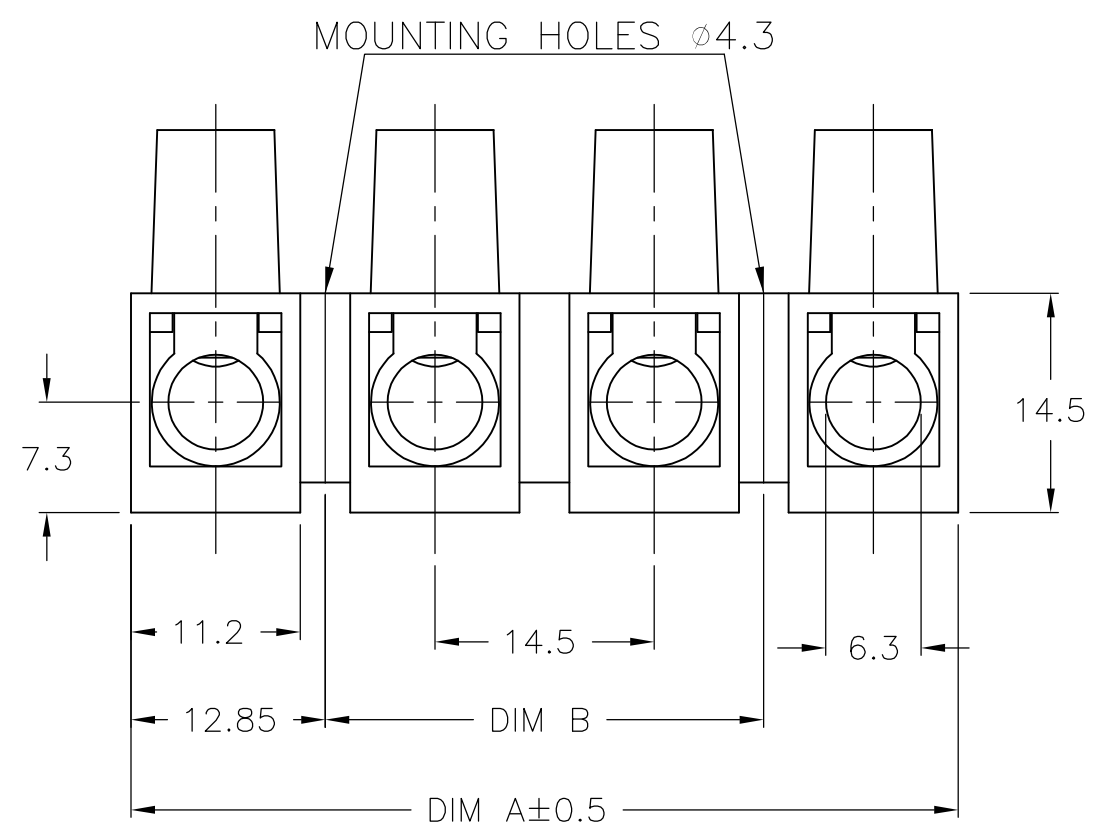
THIS DRAWING IS UNPUBLISHED. RELEASED FOR PUBLICATION  
 © COPYRIGHT BY TYCO ELECTRONICS CORPORATION. ALL RIGHTS RESERVED.

LOC	DIST	REVISIONS					
FT	0	P	LTR	DESCRIPTION	DATE	DWN	APVD
			03	REVISED PER ECO-09-019621	26AUG09	HMR	CR

**MATERIAL:**  
 HOUSING: POLYAMIDE 6, UL94V-2.  
 COLOR: OFF WHITE.  
 CONTACT: BRASS, TIN PLATED.  
 WIRE PROTECTOR: STAINLESS STEEL.  
 SCREW: M5, STEEL, W/ ZINC PLATED NON-HEXAVALENT CHROMATE (CHROME III).

**ELECTRICAL:**  
 MAX CURRENT: 65A (UR) 70A (CSA)  
 OPERATING VOLTAGE: 300V.  
 WIRE RANGE: 6-14 UL AND 6-22 AWG FOR (CSA)  
 DIELECTRIC WITHSTAND: 6000V.

**ENVIRONMENT:**  
 CONTINUOUS WORKING TEMP.: -35°C TO 100°C.



145	170.7	12	TSB200012	1-1776312-2
130.5	156.2	11	TSB200011	1-1776312-1
116	141.7	10	TSB200010	1-1776312-0
101.5	127.2	9	TSB200009	1776312-9
87	112.7	8	TSB200008	1776312-8
72.5	98.2	7	TSB200007	1776312-7
58	83.7	6	TSB200006	1776312-6
43.5	69.2	5	TSB200005	1776312-5
29	54.7	4	TSB200004	1776312-4
14.5	40.2	3	TSB200003	1776312-3
-	25.7	2	TSB200002	1776312-2
-	11.2	1	TSB200001	1776312-1
DIM B	DIM A	NO OF POS	CATALOG NUMBER	PART NUMBER

THIS DRAWING IS A CONTROLLED DOCUMENT.		DWN	S SCHLEGEL	3/22/05	Tyco Electronics Corporation Harrisburg, Pa 17105-3608						
DIMENSIONS: mm		CHK	C RICHARD	3/22/05				NAME			
TOLERANCES UNLESS OTHERWISE SPECIFIED: 0 PLC ± - 1 PLC ± 0.3 2 PLC ± 0.25 3 PLC ± - 4 PLC ± - ANGLES ± 2°		APVD	C RICHARD	3/22/05				EUROPA TERMINAL BLOCK, 14.5MM PITCH			
MATERIAL		PRODUCT SPEC		APPLICATION SPEC		SIZE	CAGE CODE	DRAWING NO	RESTRICTED TO		
-		-		-		A3	00779	C-1776312	-		
CUSTOMER DRAWING						SCALE	NTS	SHEET	1 OF 1	REV	03