



Chipsmall Limited consists of a professional team with an average of over 10 year of expertise in the distribution of electronic components. Based in Hongkong, we have already established firm and mutual-benefit business relationships with customers from,Europe,America and south Asia,supplying obsolete and hard-to-find components to meet their specific needs.

With the principle of “Quality Parts,Customers Priority,Honest Operation,and Considerate Service”,our business mainly focus on the distribution of electronic components. Line cards we deal with include Microchip,ALPS,ROHM,Xilinx,Pulse,ON,Everlight and Freescale. Main products comprise IC,Modules,Potentiometer,IC Socket,Relay,Connector.Our parts cover such applications as commercial,industrial, and automotives areas.

We are looking forward to setting up business relationship with you and hope to provide you with the best service and solution. Let us make a better world for our industry!



Contact us

Tel: +86-755-8981 8866 Fax: +86-755-8427 6832

Email & Skype: info@chipsmall.com Web: www.chipsmall.com

Address: A1208, Overseas Decoration Building, #122 Zhenhua RD., Futian, Shenzhen, China



THIS DRAWING IS UNPUBLISHED. RELEASED FOR PUBLICATION
 © COPYRIGHT - By - ALL RIGHTS RESERVED.

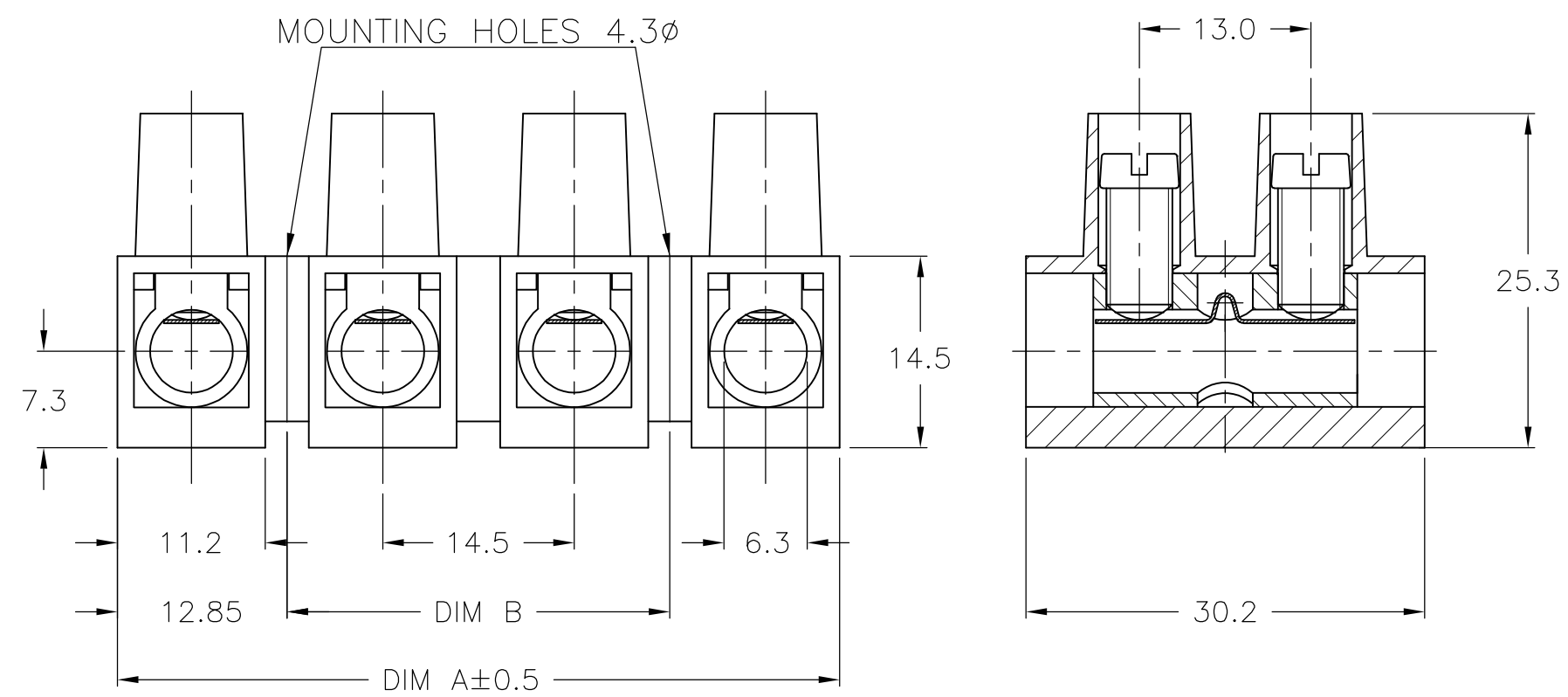
LOC FT	DIST 0	REVISIONS			
P	LTR	DESCRIPTION	DATE	DWN	APVD
	P	REVISED PER ECO-11-004820	11MAR11	RK	HMR

MATERIAL:
 HOUSING: POLYAMIDE 6, UL94V-2, COLOR OFF WHITE.
 CONTACT: BRASS, TIN PLATED.
 WIRE PROTECTOR: STAINLESS STEEL.
 SCREW: M5, STEEL, ZINC PLATED W/ NON-HEXAVALENT CHROMATE (CHROME III).
 WIRE PROTECTOR: STAINLESS STEEL.

ELECTRICAL:
 MAX CURRENT: 65A (UR) 70A (CSA)
 OPERATING VOLTAGE: 300V.
 WIRE RANGE: 6-14 AWG (UR) 6-22 AWG (CSA)
 DIELECTRIC WITHSTAND: 6000V.

ENVIRONMENT:
 CONTINUOUS WORKING TEMP.: -35°C TO 100°C.

145	170.7	12	TSB200012DS	1-1776313-2
130.5	156.2	11	TSB200011DS	1-1776313-1
116	141.7	10	TSB200010DS	1-1776313-0
101.5	127.2	9	TSB200009DS	1776313-9
87	112.7	8	TSB200008DS	1776313-8
72.5	98.2	7	TSB200007DS	1776313-7
58	83.7	6	TSB200006DS	1776313-6
43.5	69.2	5	TSB200005DS	1776313-5
29	54.7	4	TSB200004DS	1776313-4
14.5	40.2	3	TSB200003DS	1776313-3
-	25.7	2	TSB200002DS	1776313-2
-	11.2	1	TSB200001DS	1776313-1
DIM B	DIM A	NO OF POS	CATALOG NUMBER	PART NUMBER



THIS DRAWING IS A CONTROLLED DOCUMENT.		DWN S SCHLEGEL 3/21/05	TE Connectivity			
DIMENSIONS: mm		CHK C RICHARD 3/21/05				
TOLERANCES UNLESS OTHERWISE SPECIFIED:		APVD C RICHARD 3/21/05	NAME			
0 PLC ± - 1 PLC ± 0.3 2 PLC ± 0.25 3 PLC ± - 4 PLC ± - ANGLES ± 2°		PRODUCT SPEC	14.5MM PITCH WITH WIRE PROTECTOR			
MATERIAL		APPLICATION SPEC	SIZE	CAGE CODE	DRAWING NO	RESTRICTED TO
FINISH		WEIGHT	A3	00779	C-1776313	-
CUSTOMER DRAWING			SCALE	SHEET	REV	
			NTS	1 OF 1	P	