



Chipsmall Limited consists of a professional team with an average of over 10 year of expertise in the distribution of electronic components. Based in Hongkong, we have already established firm and mutual-benefit business relationships with customers from,Europe,America and south Asia,supplying obsolete and hard-to-find components to meet their specific needs.

With the principle of "Quality Parts,Customers Priority,Honest Operation,and Considerate Service",our business mainly focus on the distribution of electronic components. Line cards we deal with include Microchip,ALPS,ROHM,Xilinx,Pulse,ON,Everlight and Freescale. Main products comprise IC,Modules,Potentiometer,IC Socket,Relay,Connector.Our parts cover such applications as commercial,industrial, and automotives areas.

We are looking forward to setting up business relationship with you and hope to provide you with the best service and solution. Let us make a better world for our industry!



Contact us

Tel: +86-755-8981 8866 Fax: +86-755-8427 6832

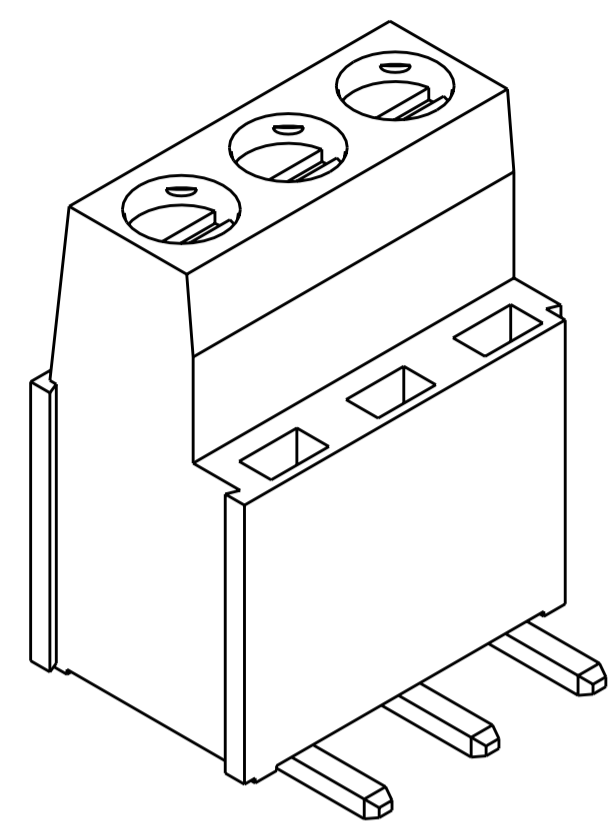
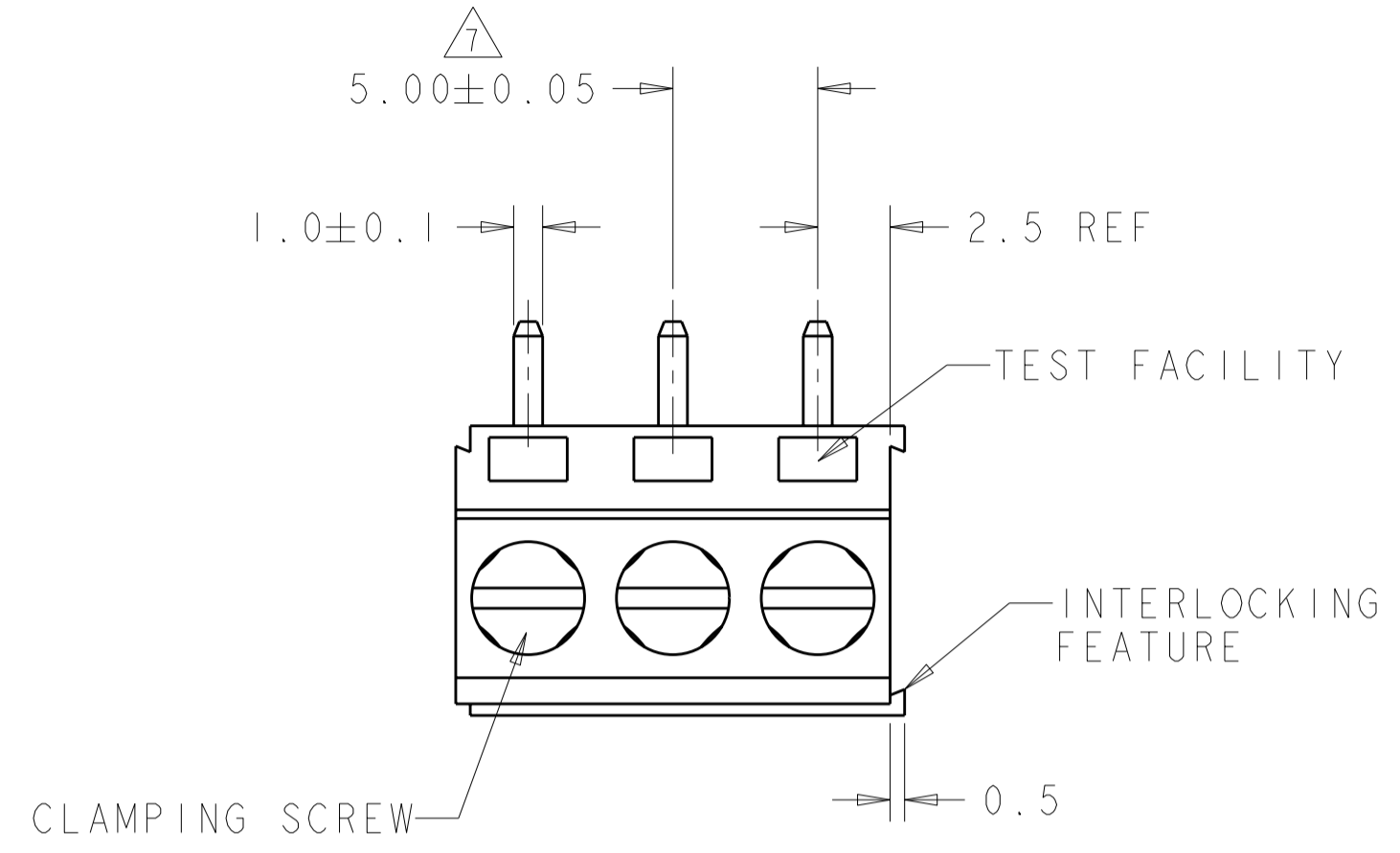
Email & Skype: info@chipsmall.com Web: www.chipsmall.com

Address: A1208, Overseas Decoration Building, #122 Zhenhua RD., Futian, Shenzhen, China



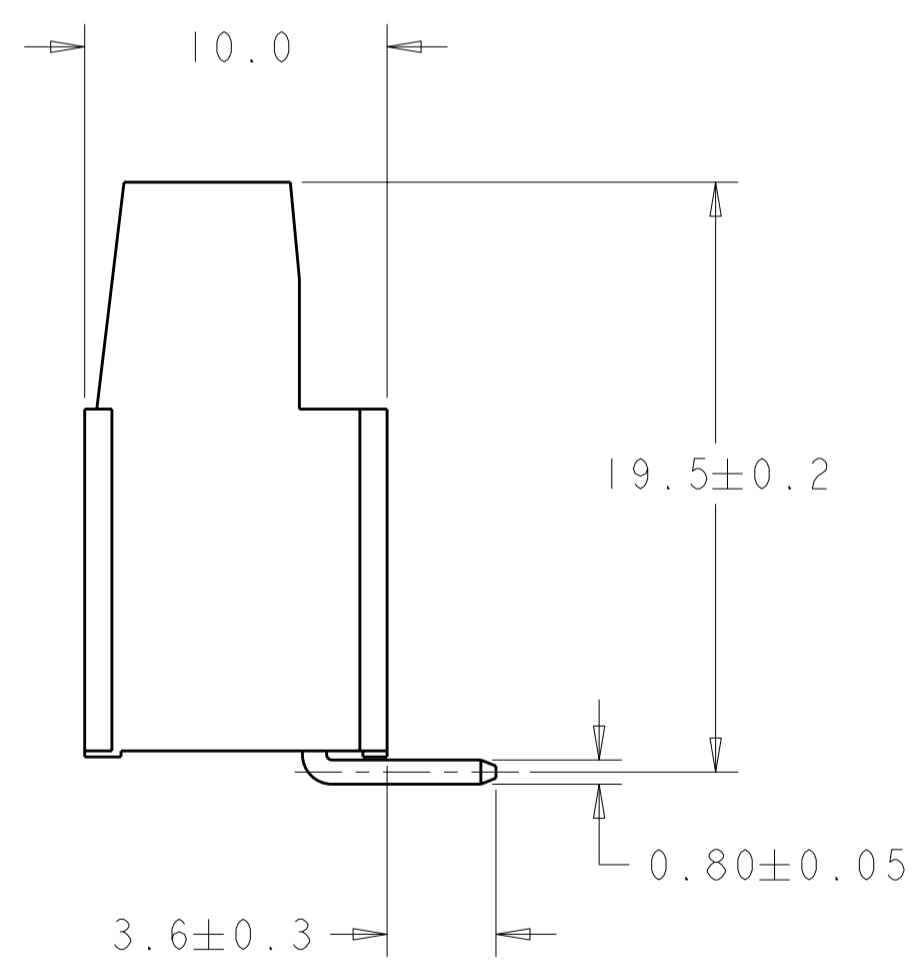
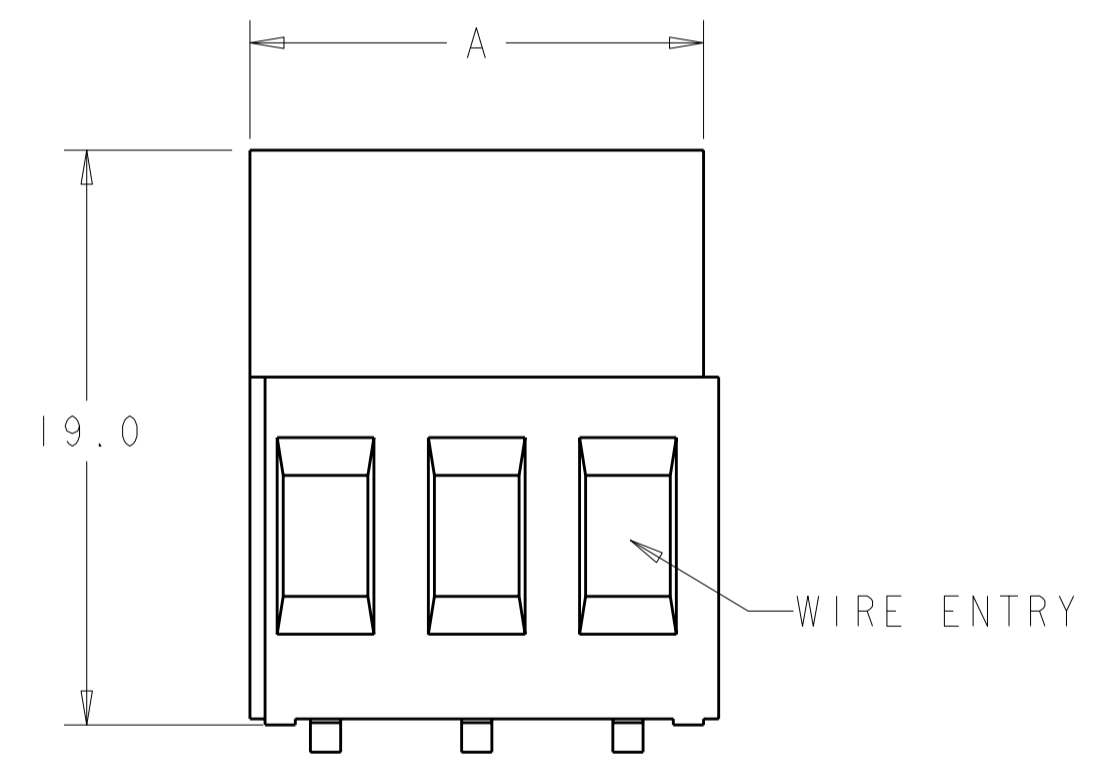
THIS DRAWING IS UNPUBLISHED. RELEASED FOR PUBLICATION 20
 © COPYRIGHT 20 BY TYCO ELECTRONICS CORPORATION. ALL RIGHTS RESERVED.

LOC		DIST		REVISIONS			
P	LTR	DESCRIPTION	DATE	DWN	APVD		
		1	RELEASED	30MAR2006	SW	CR	
		2	ADDED 2-1776829-9	12APR2006	SW	CR	
		A	RELEASED -9, ECO-06-013869	19JUN2006	SW	CR	

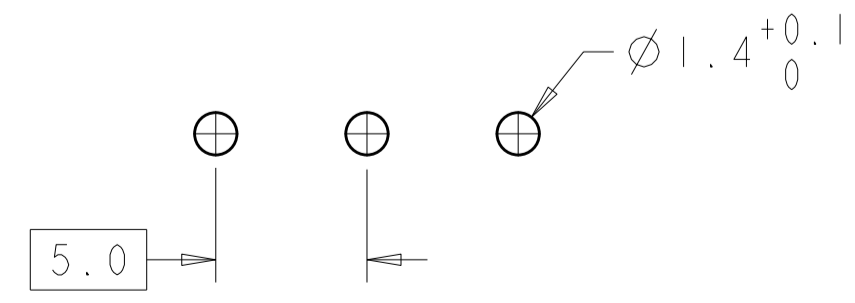


1776829-3 AS SHOWN

- 1. MATERIALS AND FINISH
 HOUSING: PA 6-6, UL 94-V0, COLOR: BLACK.
 CLAMP: BRASS, NICKEL PLATED.
 TERMINAL: BRASS, TIN PLATED.
 CLAMPING SCREW: M3, BRASS, NICKEL PLATED.
 - 2. SUITABLE FOR 1,6-2,4mm PC BOARD THICKNESS.
 - 3. END-TO-END STACKABLE W/INTERLOCK WITHOUT LOSS OF CENTERLINE SPACING.
 - 4. WIRE SIZE RANGE: 12-30 AWG.
 - 5. RECOGNIZED UNDER THE COMPONENT PROGRAM OF UNDERWRITERS LABORATORIES INC., FILE N° E60677.
 - 6. IMQ CERTIFICATE WITH SURVEILLANCE IN CONFORMITY WITH IEC 998-1/998-2-1.
7. NOT CUMULATIVE TOLERANCE.
 8. PART TO BE MARKED WITH WHITE PERMANENT INK.



PRELIMINARY	SEE DETAIL K	45.0	9	2-1776829-9
PRELIMINARY	-	70.0	14	1-1776829-4
PRELIMINARY	-	65.0	13	1-1776829-3
PRELIMINARY	-	60.0	12	1-1776829-2
PRELIMINARY	-	55.0	11	1-1776829-1
PRELIMINARY	-	50.0	10	1-1776829-0
-	-	45.0	9	1776829-9
PRELIMINARY	-	40.0	8	1776829-8
PRELIMINARY	-	20.0	4	1776829-4
PRELIMINARY	-	15.0	3	1776829-3
PRELIMINARY	-	10.0	2	1776829-2

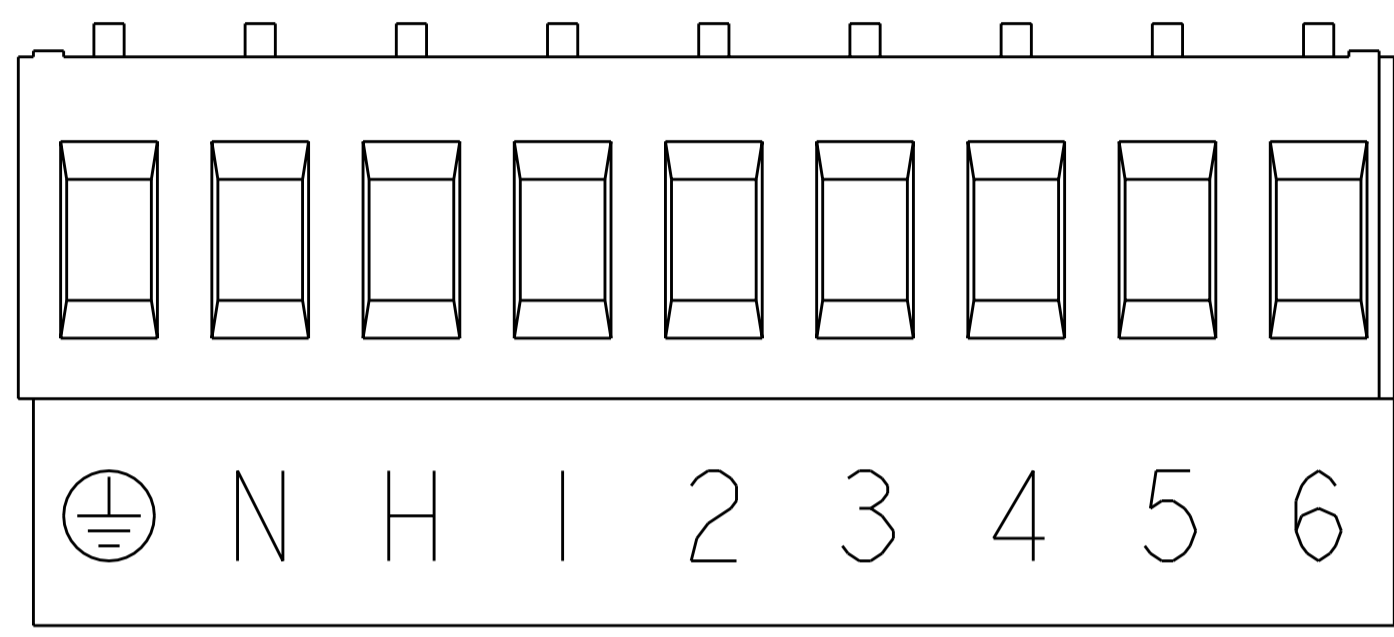


RECOMMENDED PC BOARD LAYOUT

DIMENSIONS:		TOLERANCES UNLESS OTHERWISE SPECIFIED:		DWN		CHK		APVD		NAME	
mm		0 PLC	±3	S. WELDON	30MAR2006	BUCHANAN		Tyco Electronics Harrisburg, PA 17105-3608			
		1 PLC	±.3	C. RICHARD	30MAR2006	-		TERMINAL BLOCK PCB MOUNT TOP ENTRY WIRE, STACKING W/ INTERLOCK, 5.00mm PITCH			
		2 PLC	±.25	C. RICHARD	30MAR2006	-		SIZE CAGE CODE DRAWING NO RESTRICTED TO			
		3 PLC	±.	-		-		A200779C-1776829			
		4 PLC	±.	-		-		SCALE 4:1 SHEET 1 OF 2 REV A			
		ANGLES	±2	-		-		CUSTOMER DRAWING			
		FINISH		-		-					

THIS DRAWING IS UNPUBLISHED. RELEASED FOR PUBLICATION 20
 © COPYRIGHT 20 BY TYCO ELECTRONICS CORPORATION. ALL RIGHTS RESERVED.

LOC	DIST	REVISIONS			
P	LTR	DESCRIPTION	DATE	DWN	APVD
		SEE SHEET 1	-	-	-



8
 DETAIL K

<small>THIS DRAWING IS A CONTROLLED DOCUMENT FOR TYCO ELECTRONICS CORPORATION IT IS SUBJECT TO CHANGE AND THE CONTROLLING ENGINEERING ORGANIZATION SHOULD BE CONTACTED FOR THE LATEST REVISION.</small>		DWN S. WELDON 30MAR2006 CHK C. RICHARD 30MAR2006 APVD C. RICHARD 30MAR2006	BUCHANAN Tyco Electronics Harrisburg, PA 17105-3608
DIMENSIONS: mm	TOLERANCES UNLESS OTHERWISE SPECIFIED: 0 PLC ±- 1 PLC ±.3 2 PLC ±.25 3 PLC ±- 4 PLC ±- ANGLES ±2 FINISH	PRODUCT SPEC APPLICATION SPEC 114-20079 WEIGHT -	NAME TERMINAL BLOCK PCB MOUNT TOP ENTRY WIRE, STACKING W/ INTERLOCK, 5.00mm PITCH
MATERIAL -	FINISH -	CUSTOMER DRAWING	SIZE A2 CAGE CODE 00779 DRAWING NO. C-1776829 RESTRICTED TO - SCALE 4:1 SHEET 2 OF 2 REV A