



Chipsmall Limited consists of a professional team with an average of over 10 year of expertise in the distribution of electronic components. Based in Hongkong, we have already established firm and mutual-benefit business relationships with customers from,Europe,America and south Asia,supplying obsolete and hard-to-find components to meet their specific needs.

With the principle of “Quality Parts,Customers Priority,Honest Operation,and Considerate Service”,our business mainly focus on the distribution of electronic components. Line cards we deal with include Microchip,ALPS,ROHM,Xilinx,Pulse,ON,Everlight and Freescale. Main products comprise IC,Modules,Potentiometer,IC Socket,Relay,Connector.Our parts cover such applications as commercial,industrial, and automotives areas.

We are looking forward to setting up business relationship with you and hope to provide you with the best service and solution. Let us make a better world for our industry!



Contact us

Tel: +86-755-8981 8866 Fax: +86-755-8427 6832

Email & Skype: info@chipsmall.com Web: www.chipsmall.com

Address: A1208, Overseas Decoration Building, #122 Zhenhua RD., Futian, Shenzhen, China



THIS DRAWING IS UNPUBLISHED. RELEASED FOR PUBLICATION 20
 © COPYRIGHT 20 ALL RIGHTS RESERVED.

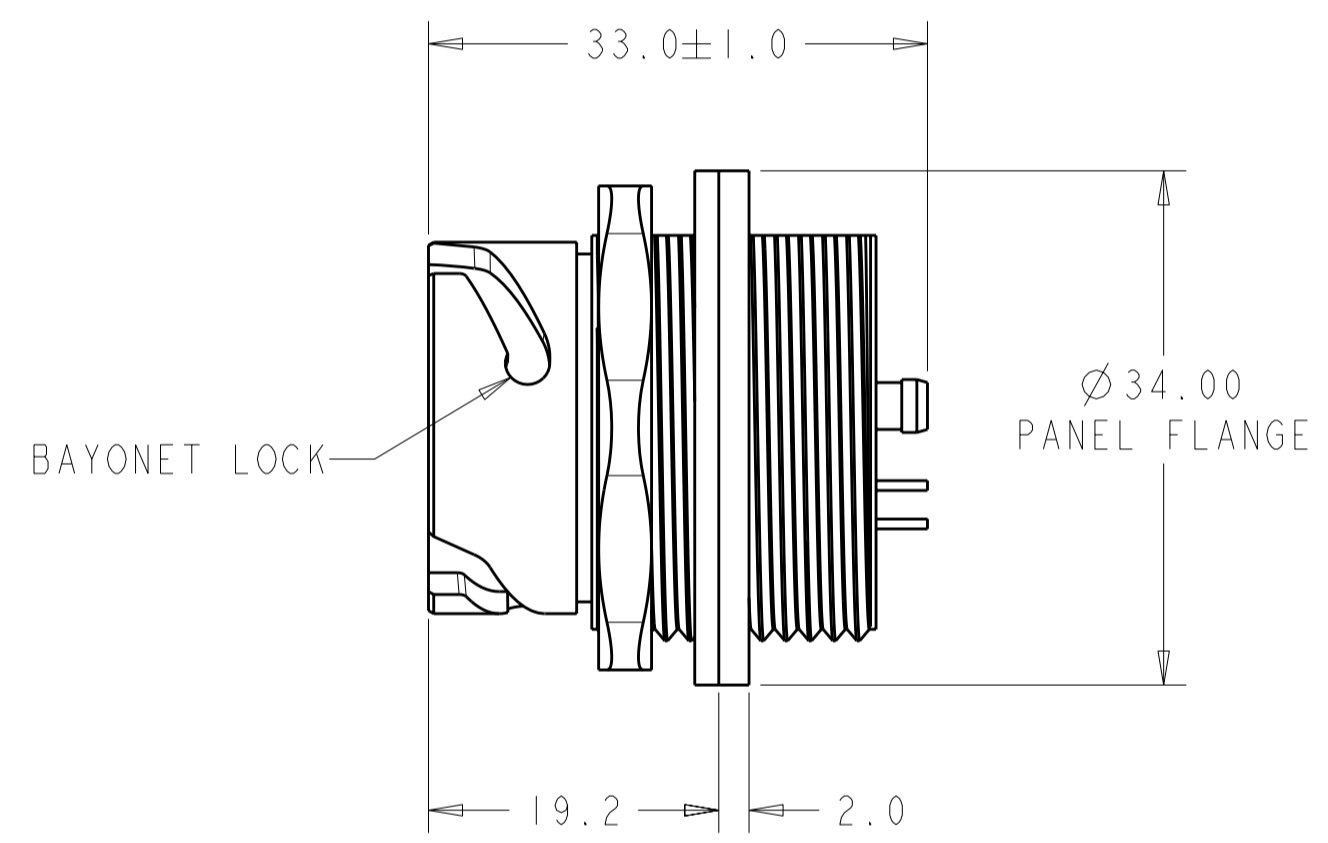
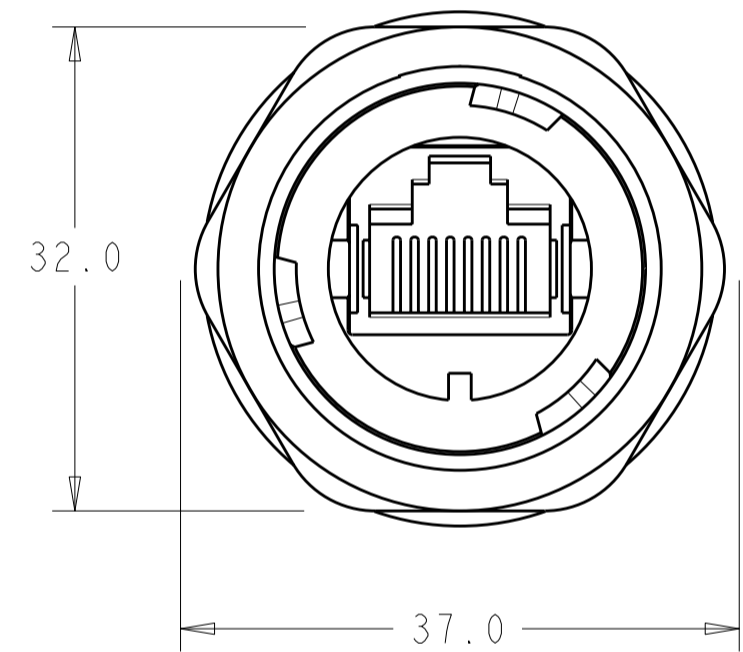
LOC		DIST		REVISIONS			
P	LTR	DESCRIPTION	DATE	DWN	APVD		
	A5	REVISED PER ECO-11-025163	16DEC2011	KH	MS		

RJ45 MODULAR JACK, PCB, 8 POSITION HOUSING:
 POLYESTER PBT CONTACTS: PHOSPHOR BRONZE,
 GOLD OVER NICKEL

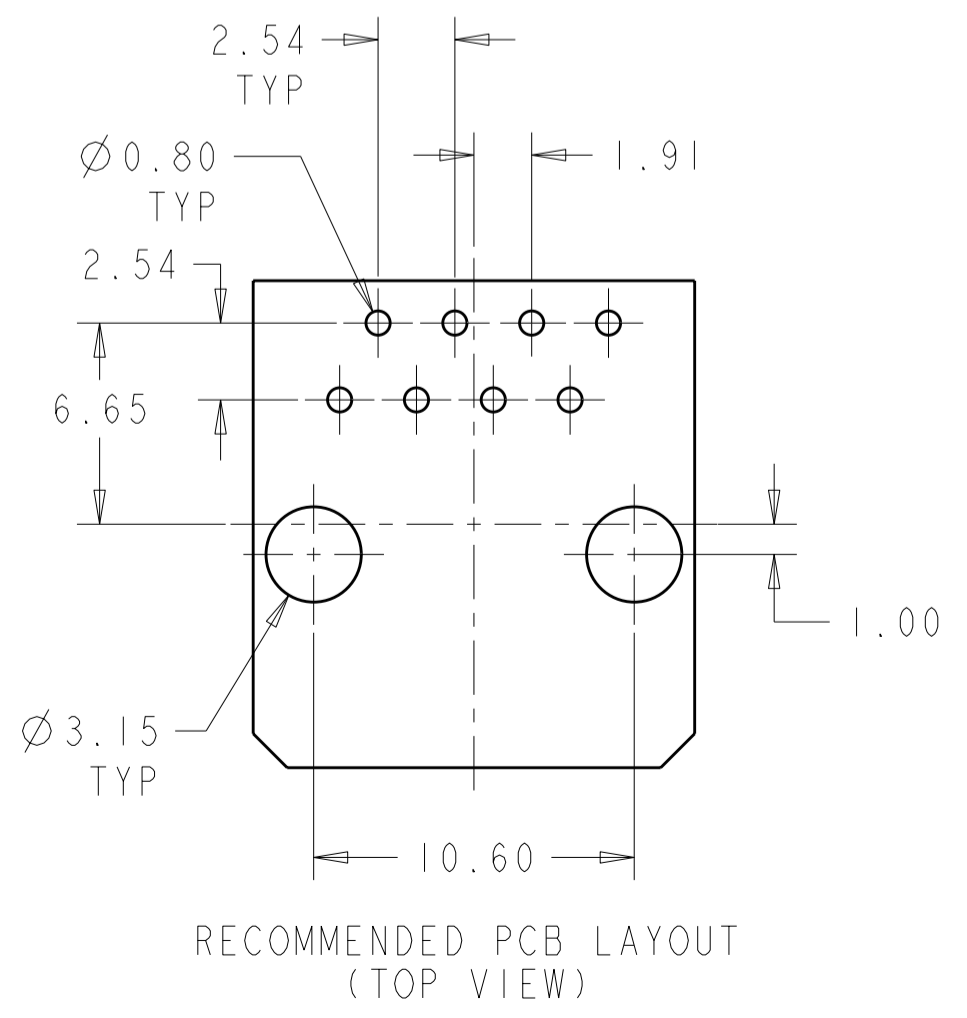
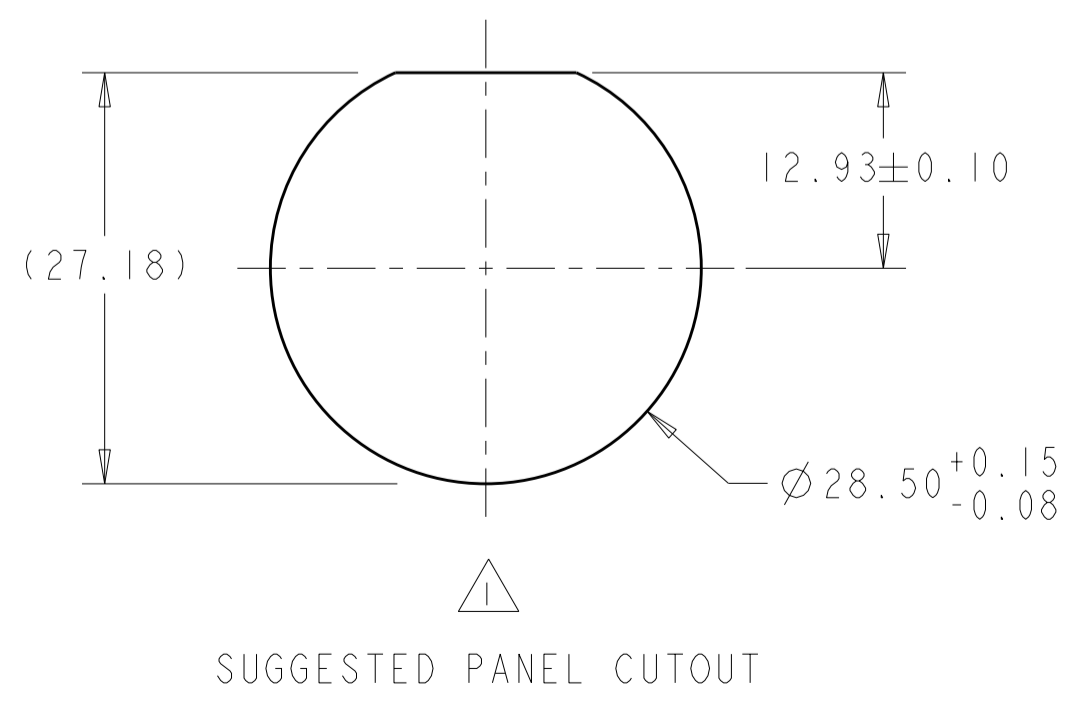
RECEPTACLE HOUSING
 POLYESTER, COLOR: BLACK

PANEL GASKET
 ELASTOMER, COLOR: ORANGE

PANEL NUT
 BRASS, NICKEL PLATED



- 1. CONNECTOR MAY BE FRONT OR REAR MOUNTED TO A MAXIMUM PANEL THICKNESS OF 3.2 mm.
- 2. PANEL NUT AND PANEL GASKET ARE PACKAGED ASSEMBLED IN POLYBAG.
- 3. PCB THICKNESS 1.6mm.



1776900-1
 PART NUMBER

THIS DRAWING IS A CONTROLLED DOCUMENT.		DWN S. WELDON 27SEP2006	TE Connectivity	
DIMENSIONS: mm		CHK D. COURS 27SEP2006		
TOLERANCES UNLESS OTHERWISE SPECIFIED:		APVD D. COURS 27SEP2006	NAME RECEPTACLE KIT, RJ45 PCB MODULAR JACK, ODVA INDUSTRIAL ETHERNET	
0 PLC ±0.3 1 PLC ±0.2 2 PLC ±0.10 3 PLC ± 4 PLC ± ANGLES ±° FINISH		PRODUCT SPEC 108-2198	SIZE CAGE CODE DRAWING NO RESTRICTED TO	
MATERIAL		APPLICATION SPEC 114-13136	A2 00779 C-1776900	
		WEIGHT -	SCALE 2:1 SHEET 1 OF 1 REV A5	
		CUSTOMER DRAWING		