



Chipsmall Limited consists of a professional team with an average of over 10 year of expertise in the distribution of electronic components. Based in Hongkong, we have already established firm and mutual-benefit business relationships with customers from,Europe,America and south Asia,supplying obsolete and hard-to-find components to meet their specific needs.

With the principle of "Quality Parts,Customers Priority,Honest Operation,and Considerate Service",our business mainly focus on the distribution of electronic components. Line cards we deal with include Microchip,ALPS,ROHM,Xilinx,Pulse,ON,Everlight and Freescale. Main products comprise IC,Modules,Potentiometer,IC Socket,Relay,Connector.Our parts cover such applications as commercial,industrial, and automotives areas.

We are looking forward to setting up business relationship with you and hope to provide you with the best service and solution. Let us make a better world for our industry!



Contact us

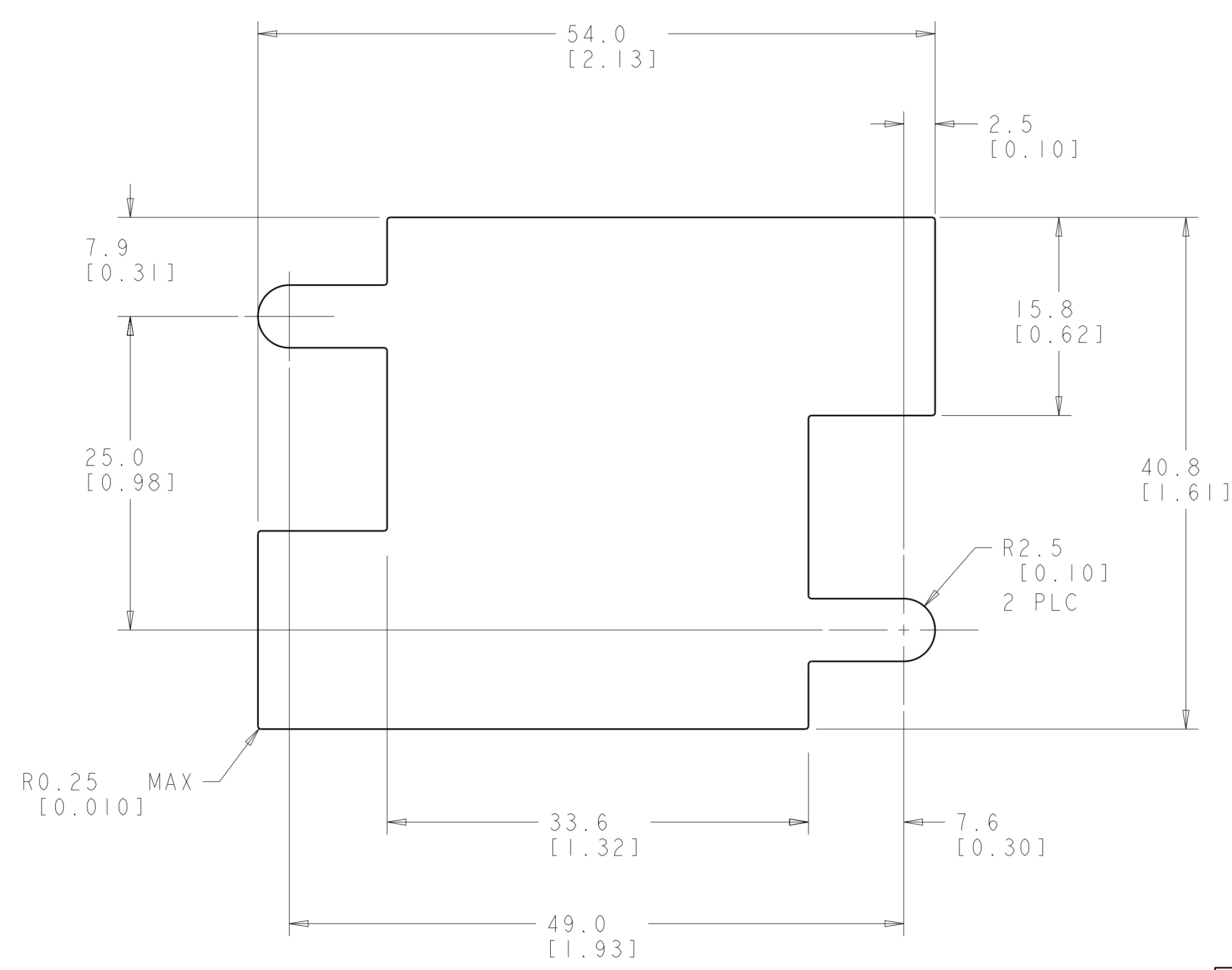
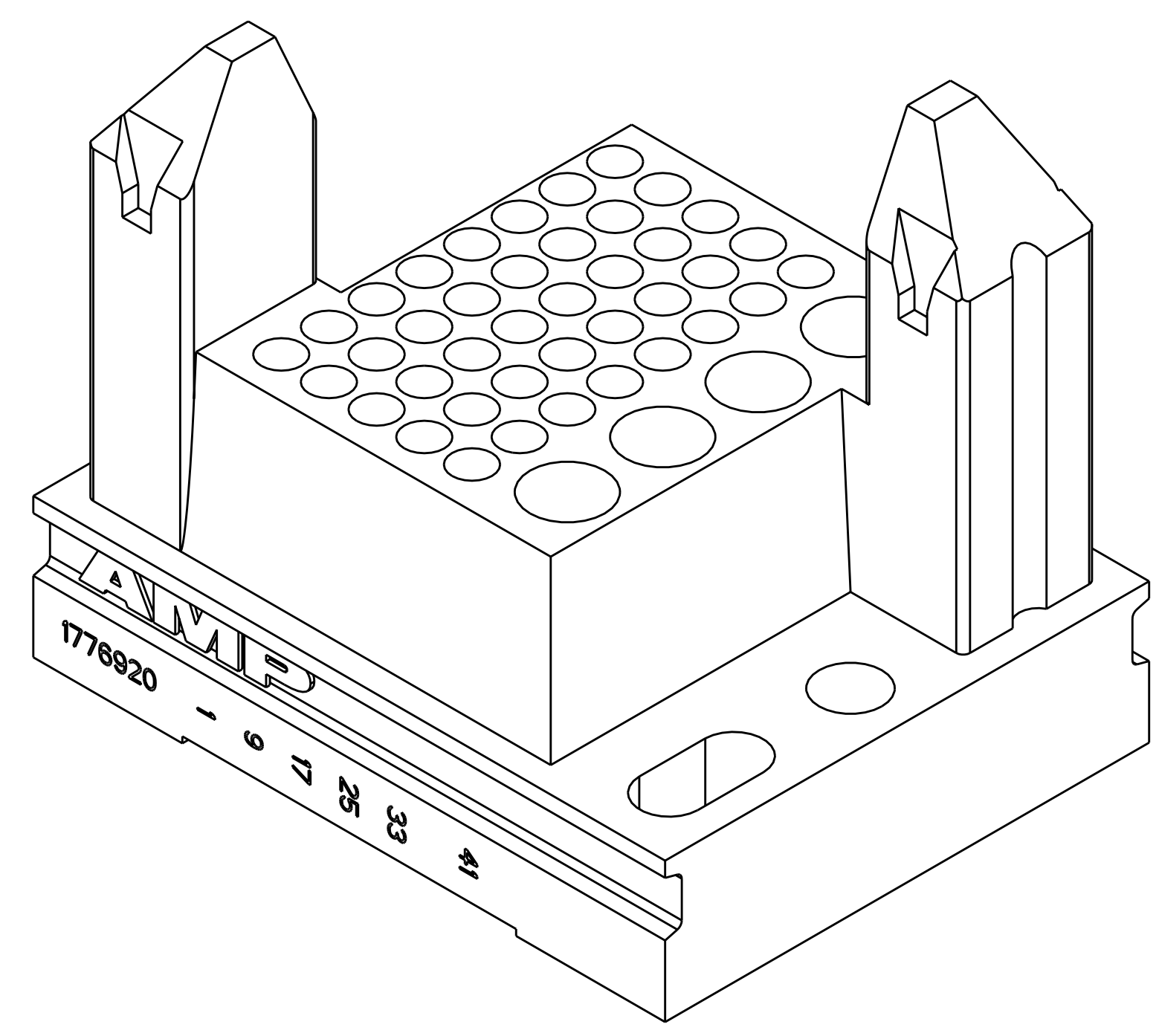
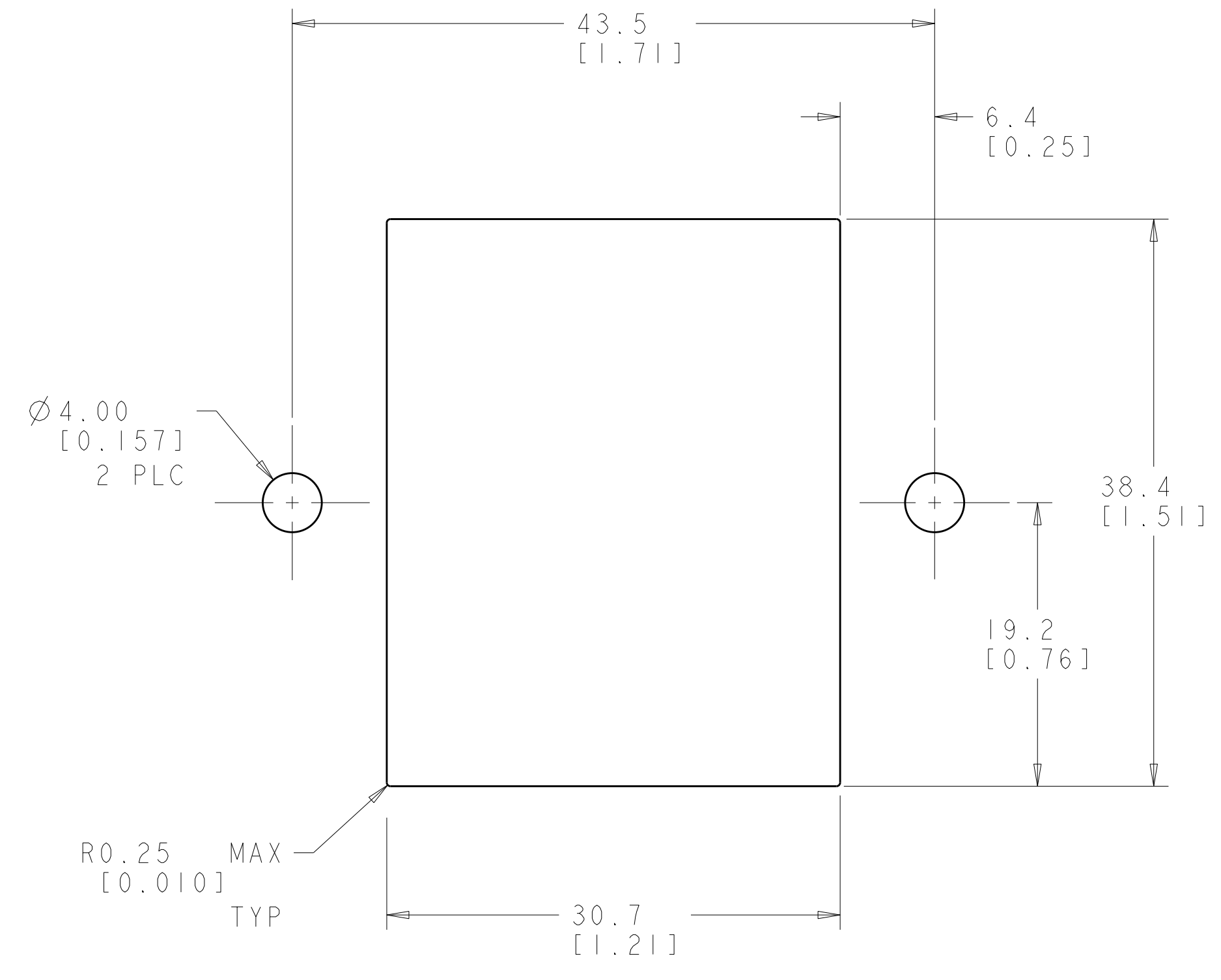
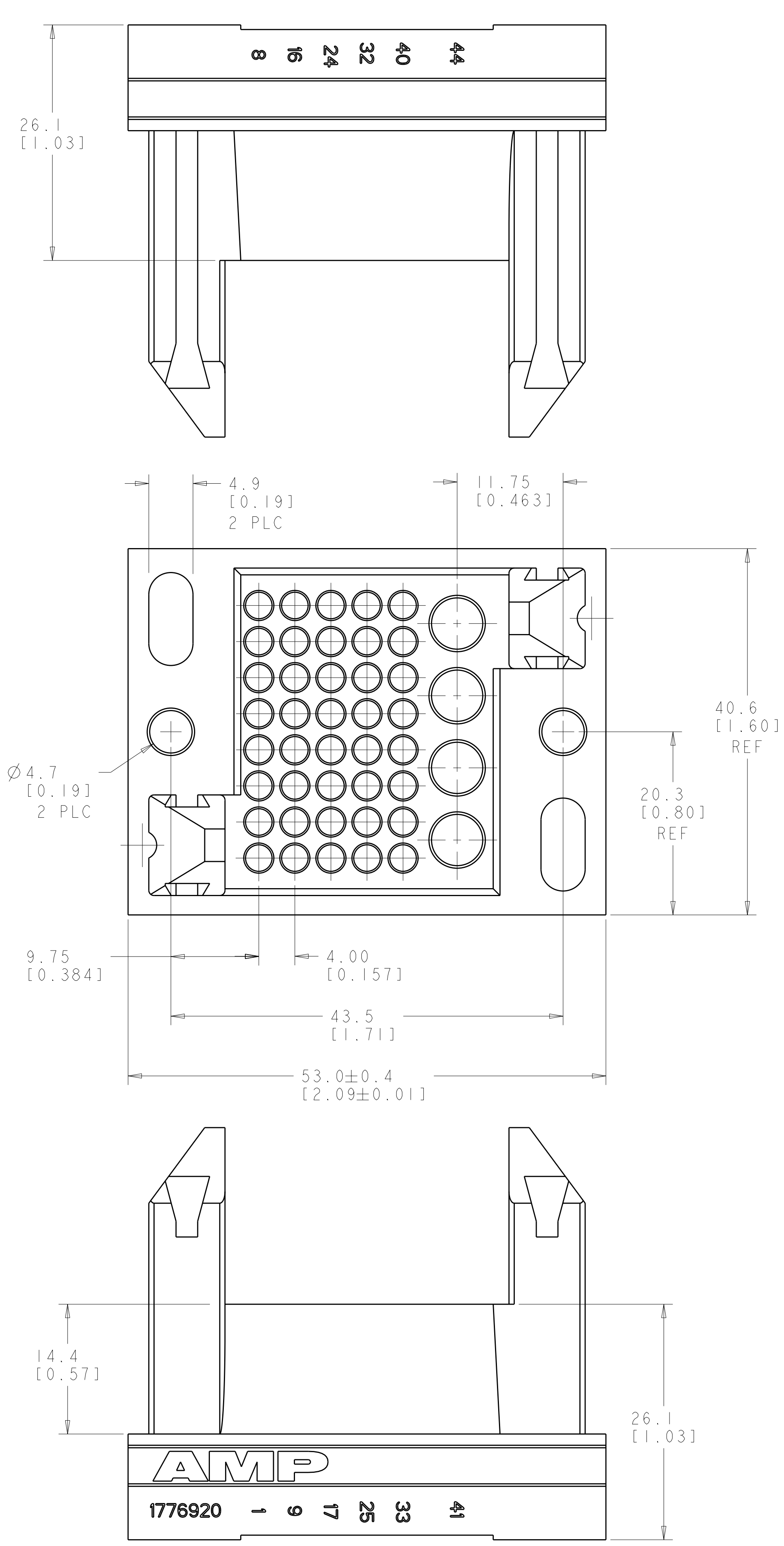
Tel: +86-755-8981 8866 Fax: +86-755-8427 6832

Email & Skype: info@chipsmall.com Web: www.chipsmall.com

Address: A1208, Overseas Decoration Building, #122 Zhenhua RD., Futian, Shenzhen, China



LOC	DIST	REV	DATE	BY	APPD
FT	0	A	200206	SW	GS



1. POSITIONS 1-40 ARE FOR SIZE 16 CONTACTS.
2. POSITIONS 41-44 ARE FOR 3mm CONTACTS.
3. INSERTS ARE NOT REQUIRED WHEN FLOAT MOUNTING.
4. ALL DIMENSIONS EXCEPT PANEL CUTOUTS ARE FOR REFERENCE ONLY.

1776920-1
PART NUMBER

<small>THIS DRAWING IS UNPUBLISHED. RELEASED FOR PUBLICATION. BY TYCO ELECTRONICS CORPORATION, ALL RIGHTS RESERVED.</small>		DWN S. WELDON 200206 CHK G. STEINHAUER 200206 APPD G. STEINHAUER 200206	NAME PLUG HOUSING, 44 POSITION, Multi Pin Plus, AMPPOWER PRODUCT SPEC - APPLICATION SPEC - SIZE CAGE CODE DRAWING NO. A11 00779 C=1776920 RESTRICTED TO -
DIMENSIONS: mm TOLERANCES UNLESS OTHERWISE SPECIFIED: 9 PLC ± 8 PLC ± 5 PLC ± 4 PLC ± ANGLES ±	FINISH - MATERIAL -	WEIGHT - CUSTOMER DRAWING	SCALE 3:1 SHEET 1 OF 1 REV A