



Chipsmall Limited consists of a professional team with an average of over 10 year of expertise in the distribution of electronic components. Based in Hongkong, we have already established firm and mutual-benefit business relationships with customers from,Europe,America and south Asia,supplying obsolete and hard-to-find components to meet their specific needs.

With the principle of “Quality Parts,Customers Priority,Honest Operation,and Considerate Service”,our business mainly focus on the distribution of electronic components. Line cards we deal with include Microchip,ALPS,ROHM,Xilinx,Pulse,ON,Everlight and Freescale. Main products comprise IC,Modules,Potentiometer,IC Socket,Relay,Connector.Our parts cover such applications as commercial,industrial, and automotives areas.

We are looking forward to setting up business relationship with you and hope to provide you with the best service and solution. Let us make a better world for our industry!



Contact us

Tel: +86-755-8981 8866 Fax: +86-755-8427 6832

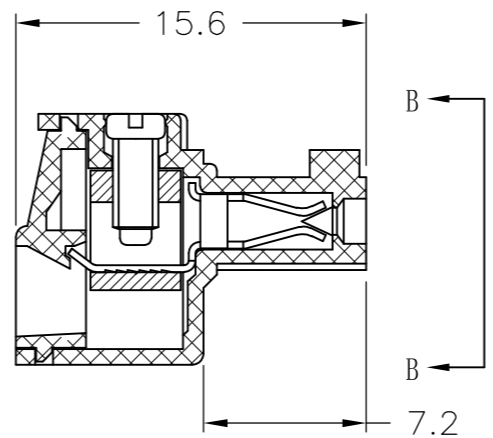
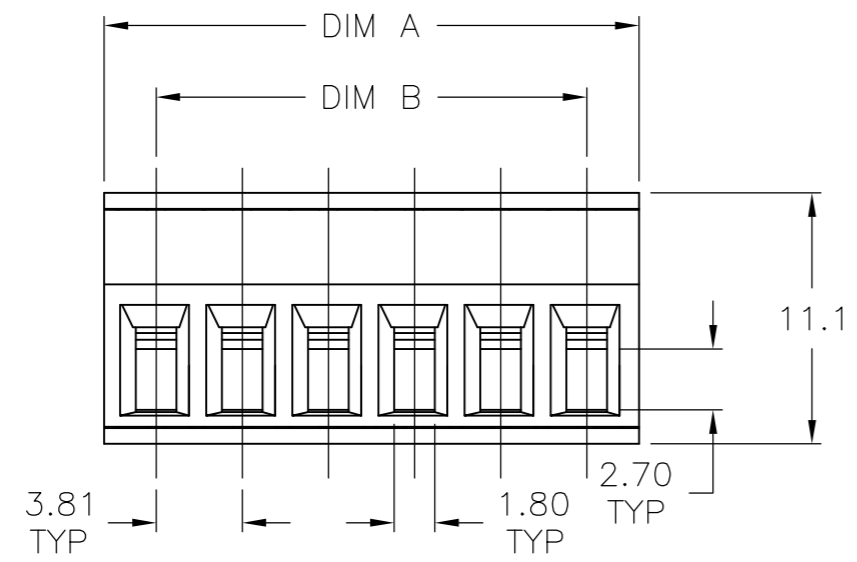
Email & Skype: info@chipsmall.com Web: www.chipsmall.com

Address: A1208, Overseas Decoration Building, #122 Zhenhua RD., Futian, Shenzhen, China



THIS DRAWING IS UNPUBLISHED. RELEASED FOR PUBLICATION
 © COPYRIGHT BY TYCO ELECTRONICS CORPORATION. ALL RIGHTS RESERVED.

LOC	DIST	REVISIONS					
FT	0	P	LTR	DESCRIPTION	DATE	DWN	APVD
		A1		REVISED PER ECO-08-014051	09JUN08	HMR	CR

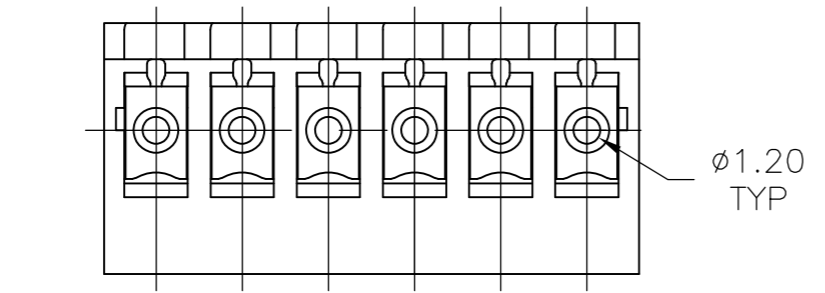


MATERIALS:
 HOUSING: PA66, UL94V-0, GREEN
 CAGE: BRASS, NICKEL PLATED
 CLAMP: PHOS BRONZE, NICKEL PLATED
 SCREW: STEEL, ZINC PLATED

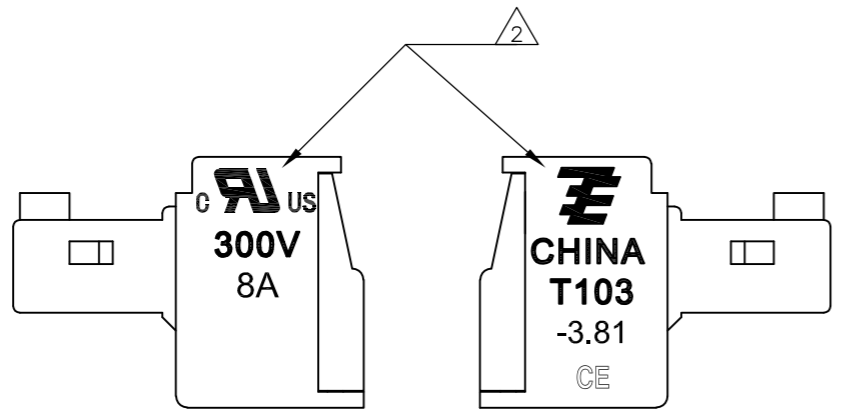
ELECTRICAL:
 CURRENT RATING: 8A
 VOLTAGE RATING: 300V
 INSULATION RESISTANCE: 5000Mohm/DC1000V
 WITHSTANDING VOLTAGE: AC2000V/1 MIN
 WIRE RANGE: 16-28 AWG

MECHANICAL:
 MAXIMUM SCREW TORQUE: 2.04 kgf.cm
 OPERATING TEMP.: -40°C TO 105°C

- 1 PRELIMINARY PART NO.
- 2 LOGOS TO BE SHOWN APPROXIMATELY AS SHOWN



VIEW B



1	72.39±0.30	76.99±0.30	20	2-1776948-0
	45.72±0.30	50.32±0.30	13	1-1776948-3
1	41.91±0.30	46.51±0.30	12	1-1776948-2
1	34.29±0.30	38.89±0.30	10	1-1776948-0
1	26.67±0.30	31.27±0.30	8	1776948-8
1	19.05±0.25	23.65±0.20	6	1776948-6
1	15.24±0.25	19.84±0.20	5	1776948-5
1	11.43±0.25	16.03±0.20	4	1776948-4
1	7.62±0.15	12.22±0.20	3	1776948-3
1	3.81±0.10	8.41±0.20	2	1776948-2
	DIM B	DIM A	NO OF POS	PART NUMBER

THIS DRAWING IS A CONTROLLED DOCUMENT.		DWN S SCHLEGEL 30MAR2007	Tyco Electronics Corporation Harrisburg, PA 17105-3608	
DIMENSIONS: mm		CHK C RICHARD 3/30/07	NAME	
TOLERANCES UNLESS OTHERWISE SPECIFIED:		APVD C RICHARD 3/30/07	PRODUCT SPEC	
0 PLC ± -		APPLICATION SPEC		
1 PLC ± 0.2		WEIGHT -		
2 PLC ± 0.10		CUSTOMER DRAWING		
3 PLC ± -		SCALE NTS		
4 PLC ± -		SHEET 1 OF 1		
ANGLES ± 1'		REV A1		
FINISH -		RESTRICTED TO -		
		SIZE A3 CAGE CODE 00779 DRAWING NO C-1776948		