



Chipsmall Limited consists of a professional team with an average of over 10 year of expertise in the distribution of electronic components. Based in Hongkong, we have already established firm and mutual-benefit business relationships with customers from,Europe,America and south Asia,supplying obsolete and hard-to-find components to meet their specific needs.

With the principle of "Quality Parts,Customers Priority,Honest Operation,and Considerate Service",our business mainly focus on the distribution of electronic components. Line cards we deal with include Microchip,ALPS,ROHM,Xilinx,Pulse,ON,Everlight and Freescale. Main products comprise IC,Modules,Potentiometer,IC Socket,Relay,Connector.Our parts cover such applications as commercial,industrial, and automotives areas.

We are looking forward to setting up business relationship with you and hope to provide you with the best service and solution. Let us make a better world for our industry!



## Contact us

Tel: +86-755-8981 8866 Fax: +86-755-8427 6832

Email & Skype: info@chipsmall.com Web: www.chipsmall.com

Address: A1208, Overseas Decoration Building, #122 Zhenhua RD., Futian, Shenzhen, China



THIS DRAWING IS UNPUBLISHED.

RELEASED FOR PUBLICATION

---

LOC

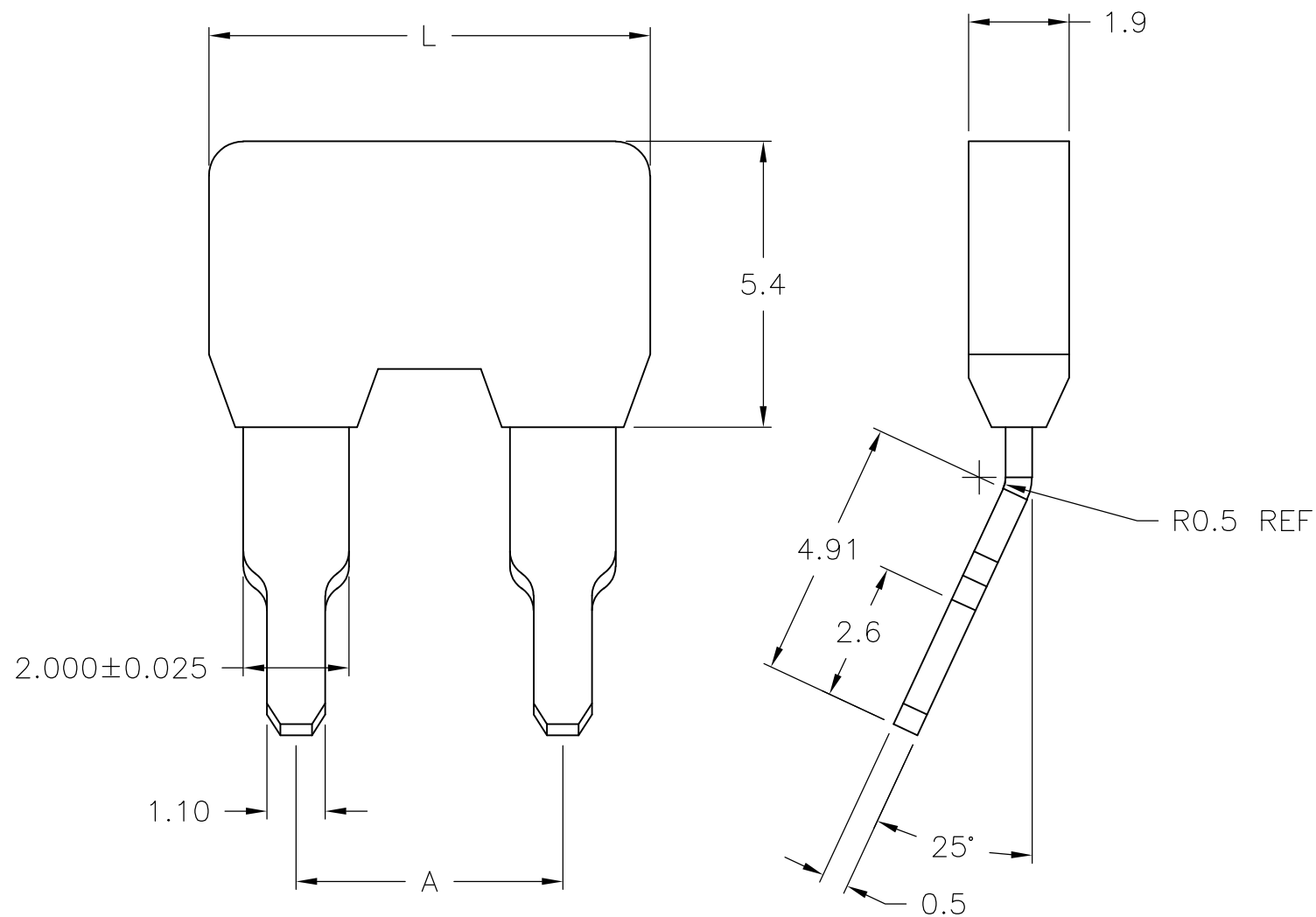
DIST

REVISIONS

© COPYRIGHT - BY TYCO ELECTRONICS CORPORATION. ALL INTERNATIONAL RIGHTS RESERVED.

P	LTR	DESCRIPTION	DATE	DWN	APVD
	A2	REVISED PER ECO-08-031020	12/11/08	SS	CR

MATERIAL:  
 BLADE: TIN PLATED, COPPER ALLOY.  
 HOUSING HANDLE: PA66, UL94V-0.



38.58	35.28	8	1776957-8
33.54	30.24	7	1776957-7
28.50	25.20	6	1776957-6
23.46	20.16	5	1776957-5
18.42	15.12	4	1776957-4
13.38	10.08	3	1776957-3
8.34	5.04	2	1776957-2
DIM L	DIM A	NO OF POS	PART NUMBER

THIS DRAWING IS A CONTROLLED DOCUMENT.		DWN S SCHLEGEL 06FEB2008	Tyco Electronics Corporation Harrisburg, PA 17105-3608												
DIMENSIONS: mm		CHK C RICHARD 2/6/08	NAME JUMER FOR TERMINAL BLOCK 5.0mm THRU 5.08mm PITCH												
TOLERANCES UNLESS OTHERWISE SPECIFIED:		APVD C RICHARD 2/6/08	PRODUCT SPEC												
<table border="0"> <tr><td>0 PLC</td><td>± -</td></tr> <tr><td>1 PLC</td><td>± 0.3</td></tr> <tr><td>2 PLC</td><td>± 0.25</td></tr> <tr><td>3 PLC</td><td>± -</td></tr> <tr><td>4 PLC</td><td>± -</td></tr> <tr><td>ANGLES</td><td>± 2°</td></tr> </table>		0 PLC	± -	1 PLC	± 0.3	2 PLC	± 0.25	3 PLC	± -	4 PLC	± -	ANGLES	± 2°	APPLICATION SPEC	
0 PLC	± -														
1 PLC	± 0.3														
2 PLC	± 0.25														
3 PLC	± -														
4 PLC	± -														
ANGLES	± 2°														
MATERIAL		WEIGHT	SIZE A3	CAGE CODE 00779											
		DRAWING NO C-1776957		RESTRICTED TO											
		CUSTOMER DRAWING		SCALE 8:1											
		SHEET 1 OF 1		REV A2											