



Chipsmall Limited consists of a professional team with an average of over 10 year of expertise in the distribution of electronic components. Based in Hongkong, we have already established firm and mutual-benefit business relationships with customers from,Europe,America and south Asia,supplying obsolete and hard-to-find components to meet their specific needs.

With the principle of “Quality Parts,Customers Priority,Honest Operation,and Considerate Service”,our business mainly focus on the distribution of electronic components. Line cards we deal with include Microchip,ALPS,ROHM,Xilinx,Pulse,ON,Everlight and Freescale. Main products comprise IC,Modules,Potentiometer,IC Socket,Relay,Connector.Our parts cover such applications as commercial,industrial, and automotives areas.

We are looking forward to setting up business relationship with you and hope to provide you with the best service and solution. Let us make a better world for our industry!



Contact us

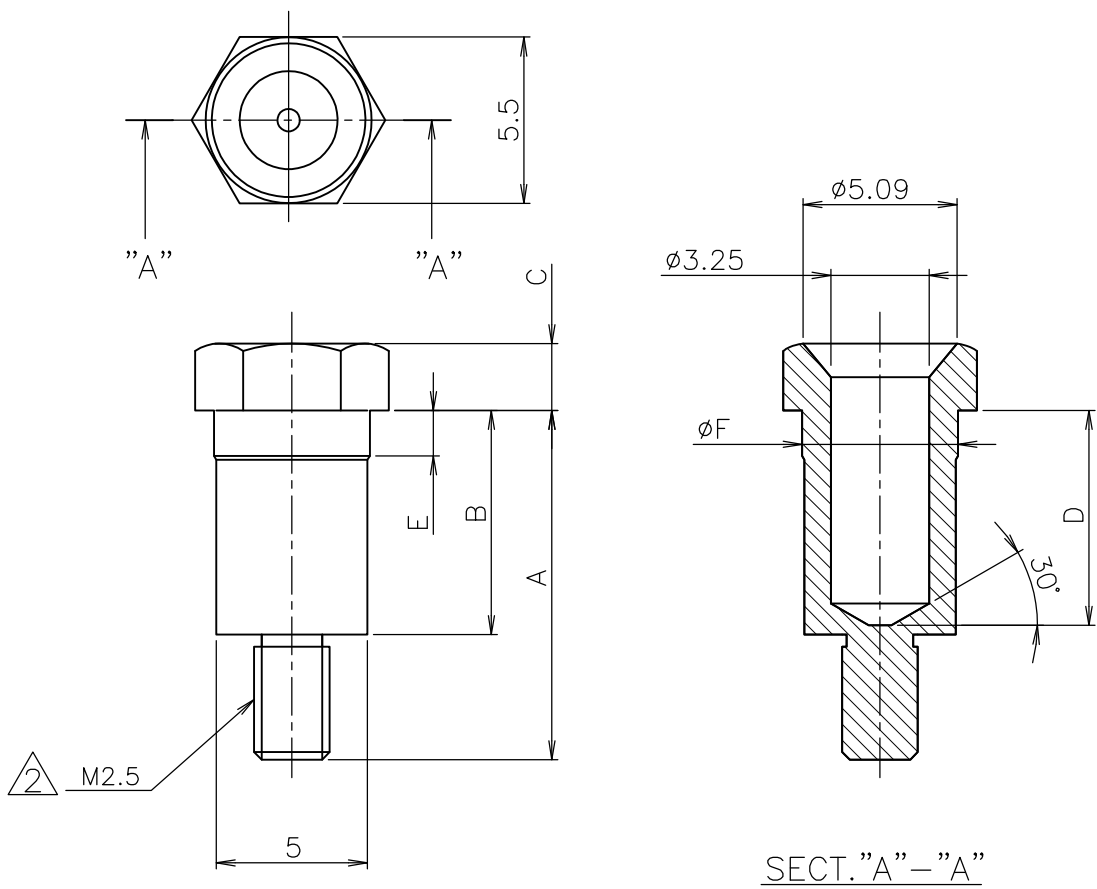
Tel: +86-755-8981 8866 Fax: +86-755-8427 6832

Email & Skype: info@chipsmall.com Web: www.chipsmall.com

Address: A1208, Overseas Decoration Building, #122 Zhenhua RD., Futian, Shenzhen, China



LOC J	DIST	REVISIONS 変更					
		P	LTR	DESCRIPTION	DATE	DWN	APVD
			C	REVISED&REDRAWN FJ00-2475-02	02DEC'02	S.A	Y.Y
			C1	REVISED PER ECO-09-024717	04NOV09	KK	AEG



- 注記
- 材料及び仕上：黄銅、ニッケルメッキ
 - ねじ部先端を除き、ゆるみ止め材料塗布

NOTE (ロックタイト DRI-LOC 202, 203 相当)

- MATERIAL AND FINISH : BRASS, Ni PLATE
- THREAD LOCKING MATERIAL APPLIED EXCEPT FOR THREAD TIP AREA. (EQUIVALENT LOCTITE DRI-COC 202,203)
- OBSELETE PARTS: OBSELETE CIS STREAMLINING PER D.RENAUD/D.SINISI

	---	---	7.1	2.22	7.4	11.54	5-177728-1/3
MAKE FROM -2	5.15	1.5	6.3	3.02	6.6	10.74	2-177728-2/3
	5.15	1.5	6.3	3.02	6.6	10.74	177728-2
	5.15	1.5	7.1	2.22	7.4	11.54	177728-1
REMARKS	F	E	D	C	B	A	P/N

DIMENSIONS: 単位：耗 MM	DWN S.ABE	29NOV2002	MATERIAL 材料	SEE NOTE	FINISH 仕上	SEE NOTE
	CHK Y.YAMAMOTO	02DEC2002	Tyco Electronics AMP K.K. Kawasaki, Japan			
TOLERANCES UNLESS OTHERWISE SPECIFIED: 一般公差	APVD Y.YAMAMOTO	02DEC2002				
0 PLC ± 0.25	PRODUCT SPEC 製品規格		NAME 名称			
1 PLC ± 0.25	APPLICATION SPEC 取付適用規格		GUIDE SOCKET FOR AMP DOCKING CONNECTOR			
2 PLC ± 0.25			SIZE	CAGE CODE	DRAWING NO 番号	RESTRICTED TO
3 PLC ±	WEIGHT		A4	00779	C-177728	-
4 PLC ±	CUSTOMER DRAWING		SCALE 尺度	4:1	SHEET 1 OF 1	REV C1
ANGLES ± 3'						

THIS DRAWING IS UNPUBLISHED. ALL RIGHTS RESERVED. BY TYCO ELECTRONICS CORPORATION. COPYRIGHT 1993