



Chipsmall Limited consists of a professional team with an average of over 10 year of expertise in the distribution of electronic components. Based in Hongkong, we have already established firm and mutual-benefit business relationships with customers from,Europe,America and south Asia,supplying obsolete and hard-to-find components to meet their specific needs.

With the principle of “Quality Parts,Customers Priority,Honest Operation,and Considerate Service”,our business mainly focus on the distribution of electronic components. Line cards we deal with include Microchip,ALPS,ROHM,Xilinx,Pulse,ON,Everlight and Freescale. Main products comprise IC,Modules,Potentiometer,IC Socket,Relay,Connector.Our parts cover such applications as commercial,industrial, and automotives areas.

We are looking forward to setting up business relationship with you and hope to provide you with the best service and solution. Let us make a better world for our industry!



Contact us

Tel: +86-755-8981 8866 Fax: +86-755-8427 6832

Email & Skype: info@chipsmall.com Web: www.chipsmall.com

Address: A1208, Overseas Decoration Building, #122 Zhenhua RD., Futian, Shenzhen, China



5

4

3

2

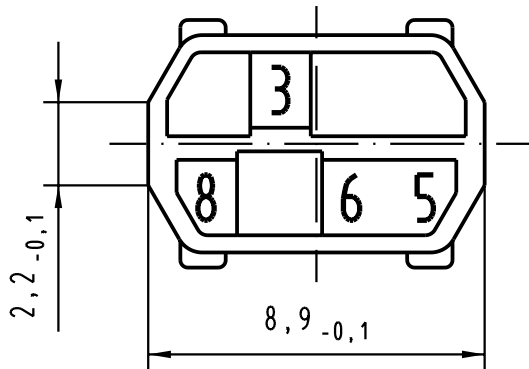
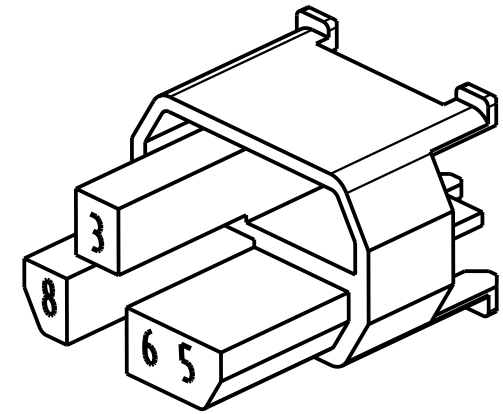
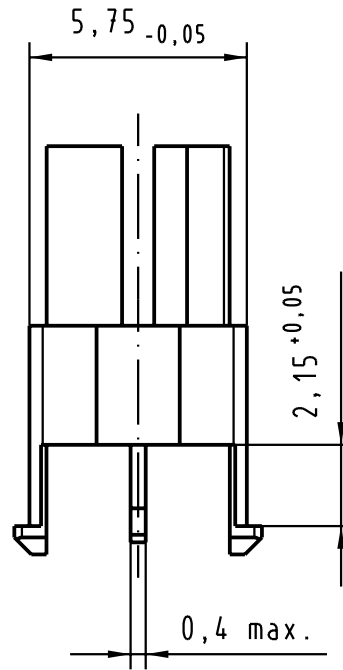
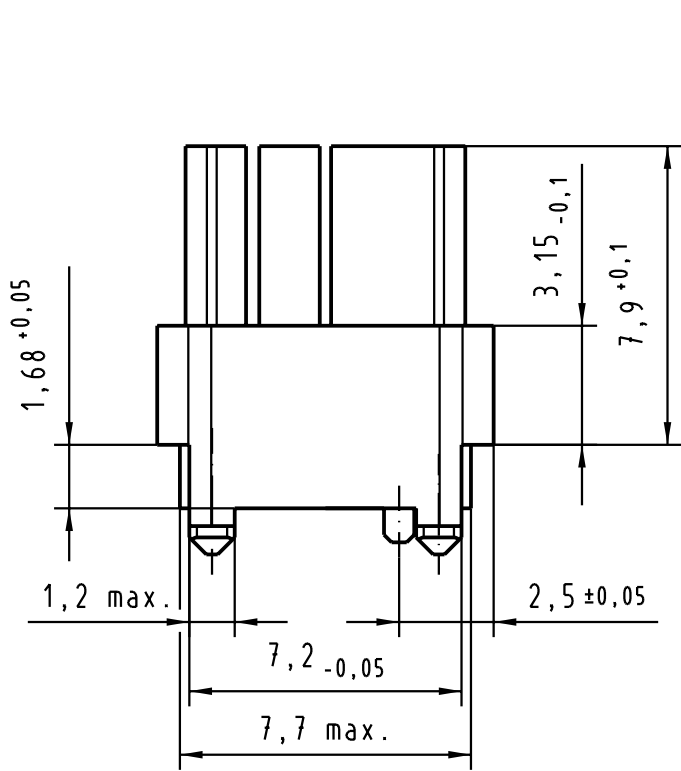
1

D

C

B

A



Farbe: RAL 2003 (Pastellorange)
colour: RAL 2003 (pastel orange)

All Dimensions in mm Original Size DIN A 4		Techn. Character.		Nicht tolerierte Maßel Free size tolerances IEC 61076-4-101	
			Dat.	Name	har-bus HM Kodiereinsatz (Code-Nr. 3568) für Messerleiste har-bus HM coding key (code-no. 3568) for male connector
		Detail.	17.09.02	Hage	
		Insp.	17.09.02	Hm	
		Stand.			
					Maßstab/Scale 5 : 1
31206			HARTING Electronics GmbH & Co. KG D-32339 ESPELKAMP		
Mod.	Dat.	Name	TB 17 79 000 0010		Blatt/ page
			Sub.		