



Chipsmall Limited consists of a professional team with an average of over 10 year of expertise in the distribution of electronic components. Based in Hongkong, we have already established firm and mutual-benefit business relationships with customers from,Europe,America and south Asia,supplying obsolete and hard-to-find components to meet their specific needs.

With the principle of “Quality Parts,Customers Priority,Honest Operation,and Considerate Service”,our business mainly focus on the distribution of electronic components. Line cards we deal with include Microchip,ALPS,ROHM,Xilinx,Pulse,ON,Everlight and Freescale. Main products comprise IC,Modules,Potentiometer,IC Socket,Relay,Connector.Our parts cover such applications as commercial,industrial, and automotives areas.

We are looking forward to setting up business relationship with you and hope to provide you with the best service and solution. Let us make a better world for our industry!



## Contact us

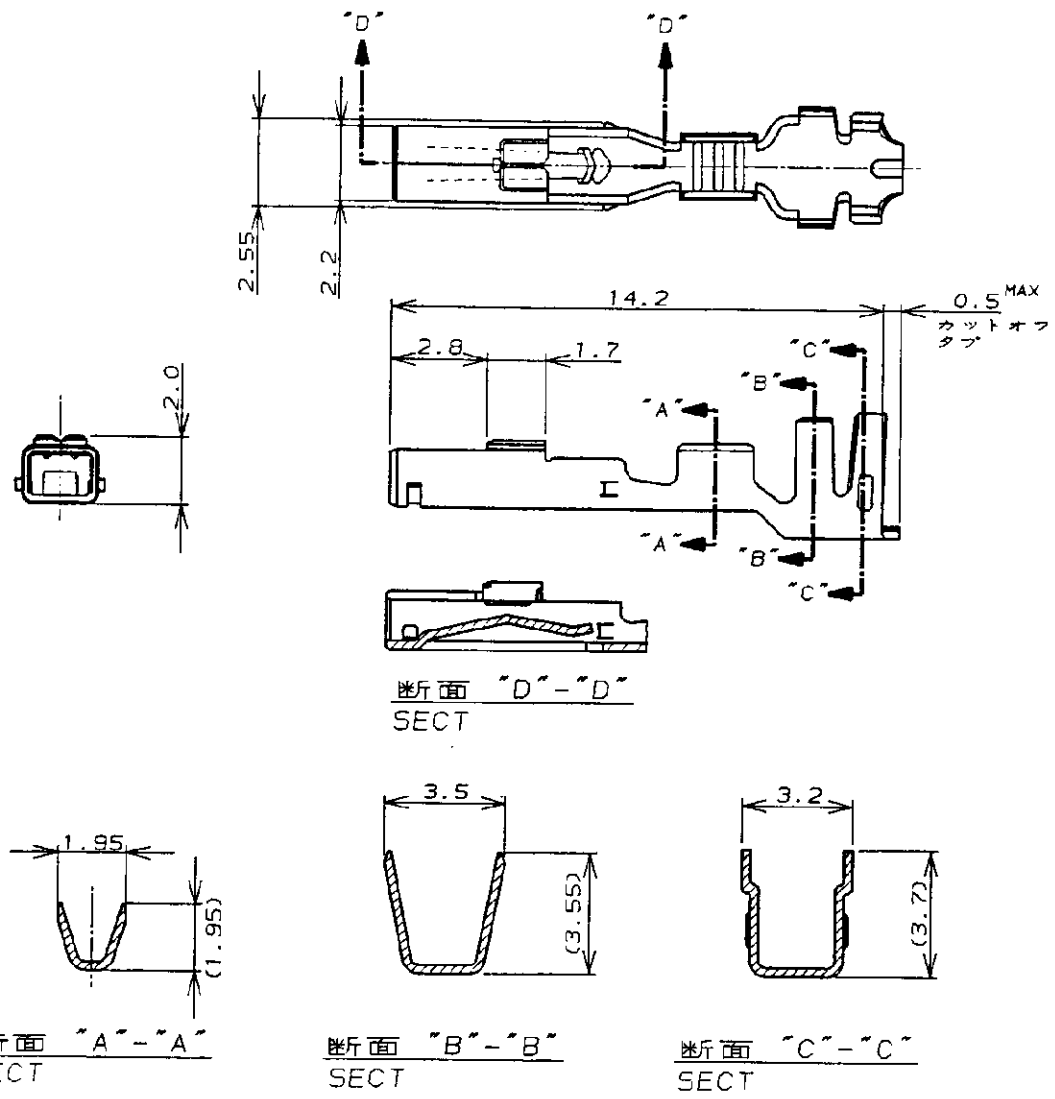
Tel: +86-755-8981 8866 Fax: +86-755-8427 6832

Email & Skype: info@chipsmall.com Web: www.chipsmall.com

Address: A1208, Overseas Decoration Building, #122 Zhenhua RD., Futian, Shenzhen, China



NUMBER C-177914  
 三角法 (3rd ANGLE PROJECTION)  
 METRIC



断面 "A"- "A"  
SECT

断面 "B"- "B"  
SECT

断面 "C"- "C"  
SECT

- 注; NOTES;
- 1. 通用規格 1. APPLICABLE SPEC  
 製品規格 : 108-5410 PRODUCT SPEC: 108-5410  
 取付適用規格 : 114-5175 APPLICATION SPEC: 114-5175
  - 2. 取扱説明書 : 411-5638 2. INSTRUCTION SHEET: 411-5638

3,4	ハイプレッシャータイプ (HIGH PRESSURE TYPE)	179592-2	177914-2
1,2	ノーマルタイプ (NORMAL TYPE)	179592-1	177914-1
ID マーク (ID MARK)	備考 (REMARKS)	ばら状端子型番 (LOOSE PIECE P/N)	型番 (P/N)



一般公差 (GENERAL TOLERANCE)	絶縁電線断面積 (WIRE RANGE)	被覆外径 (INSULATION DIA.)
10以下 : ±0.2 10を超え 30以下 : ±0.25 30を超え 100以下 : ±0.3 角 度 : ±3°	0.14 ~ 0.34 mm <sup>2</sup> (AWG#26-#22)	1.3 ~ 2.0 mmφ
	材料 (MATERIAL)	仕上 (FINISH)
	錫めつき 銅合金 PRE-TIN, COPPER ALLOY	—

PRINT DIST	C1	REVISED PER ECO-11-005140	RK	HMR	30MAR11	尺 度 (SCALE)	LOC	番 号 (No.)	REV.	SHEET
	LTR	変更 (REVISION RECORD)	DR	CHK	DATE	—	A	J	C1	1 OF 1
	DR.	B. SEP. '93 DE.			8. SEP. '93	名称 (NAME) アンパ パワー ダブルロック コネクタ				
	CHK.	B. SEP. '93	APP.	Y. KASHIWA	8. SEP. '93	リセ コンタクト AMP POWER DOUBLE LOCK CONN. REC. CONT.				

単位: 寸 寸法 DIMENSIONS IN MM. DO NOT SCALE PRINT