



Chipsmall Limited consists of a professional team with an average of over 10 year of expertise in the distribution of electronic components. Based in Hongkong, we have already established firm and mutual-benefit business relationships with customers from,Europe,America and south Asia,supplying obsolete and hard-to-find components to meet their specific needs.

With the principle of “Quality Parts,Customers Priority,Honest Operation,and Considerate Service”,our business mainly focus on the distribution of electronic components. Line cards we deal with include Microchip,ALPS,ROHM,Xilinx,Pulse,ON,Everlight and Freescale. Main products comprise IC,Modules,Potentiometer,IC Socket,Relay,Connector.Our parts cover such applications as commercial,industrial, and automotives areas.

We are looking forward to setting up business relationship with you and hope to provide you with the best service and solution. Let us make a better world for our industry!



Contact us

Tel: +86-755-8981 8866 Fax: +86-755-8427 6832

Email & Skype: info@chipsmall.com Web: www.chipsmall.com

Address: A1208, Overseas Decoration Building, #122 Zhenhua RD., Futian, Shenzhen, China



NUMBER C-177983

METRIC 三角法 (3rd ANGLE PROJECTION)

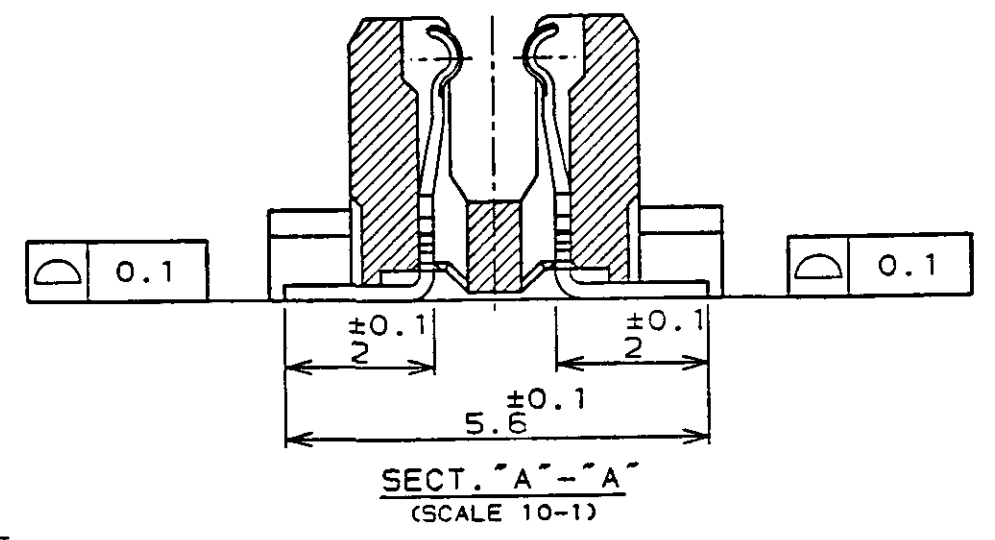
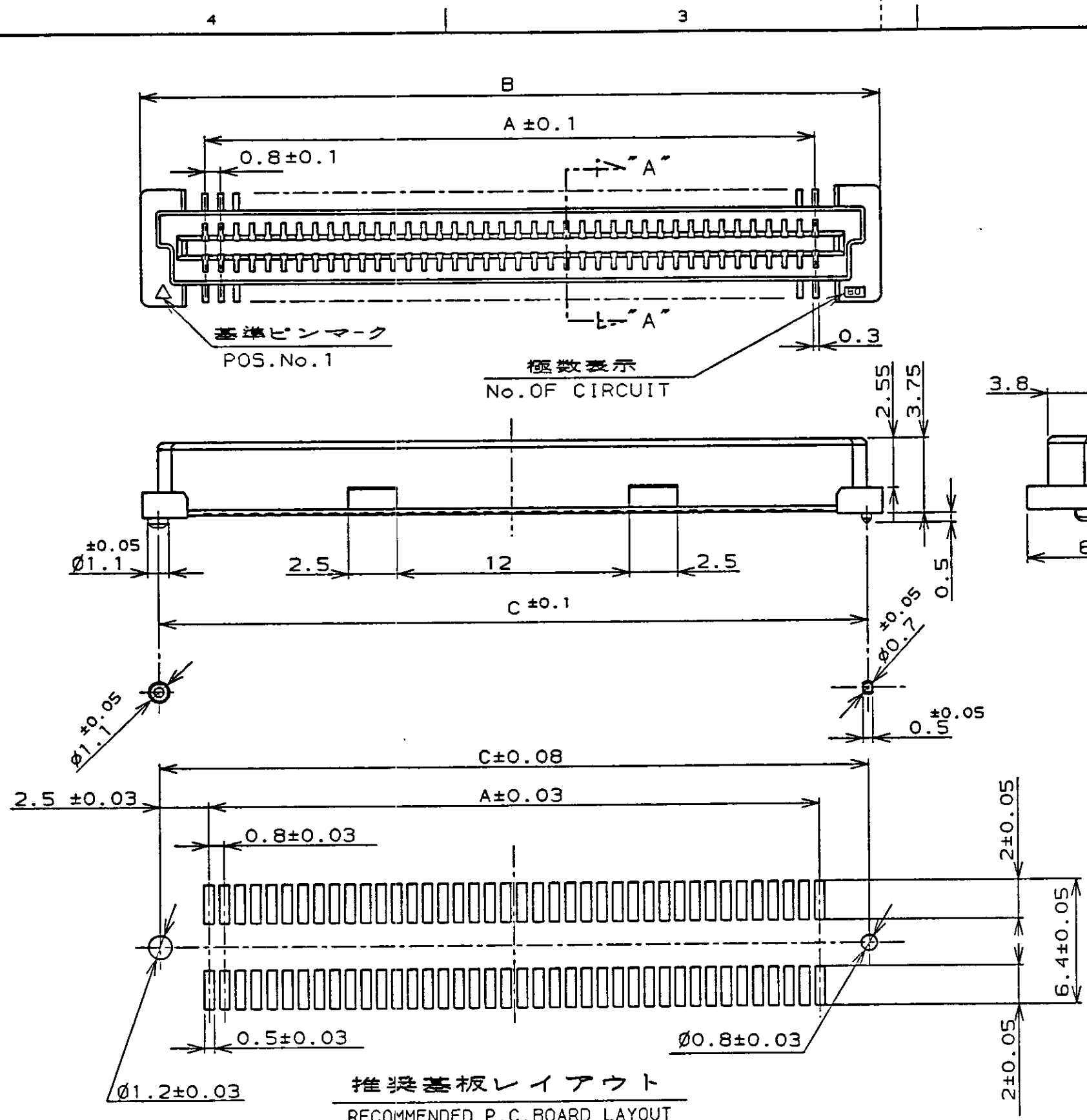
METRIC

PROJ. NO. 593-312

PRINT DIST 単位: mm DIMENSIONS IN MM. DO NOT SCALE PRINT

PRINT DIST

AMP-J REV. 10/83



- NOTES;
- △ MATERIAL; HOUSING; L.C.P (HIGH TEMP THERMO PLASTIC) UL 94V-0, NATURAL. CONTACT; BERYLIUM COPPER.
 - △ FINISH; CONTACT AREA; 0.0002 MIN GOLD ON 0.0013 MIN ALL OVER NICKEL. SOLDERING AREA; 0.001 MIN TIN-LEAD.
 - 3. POSITION SERIES; SEE TABLE.
 - 4. CONN STACK HEIGHT COMBINE OF PLUG "Y" H VS REC "X" H. STACK HEIGHT = Y + X - 5
 - △ THIS ITEM IS PRELIMINARY.

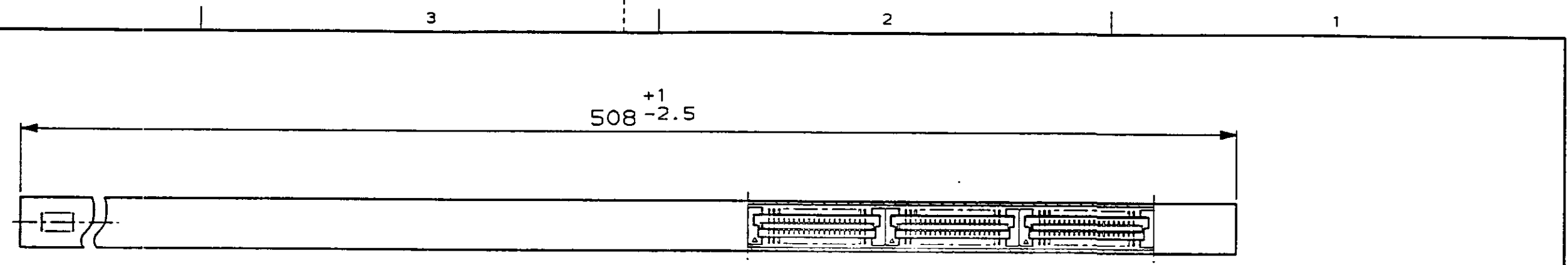
- 注記;
- △ 材料; ハウジング; L.C.P (耐熱性熱可塑性樹脂) UL94V-0. コンタクト; ベリリウム銅 自然色.
 - △ めっき仕様; 接触部 金めっき 0.0002 MIN 厚 ニッケル下地 0.0013 MIN 厚 半田付け部; 半田めっき 0.001 MIN 厚
 - 3. 極数シリーズ: 表参照
 - 4. コネクタスタック高さは、次の式で算出します。 PLUG "Y" H と REC "X" H との組合せの場合。 コネクタスタック高さ = "Y" + "X" - 5
 - △ このアイテムは、製品化準備中です。

P/N SEE SHEET 2 OF 2.

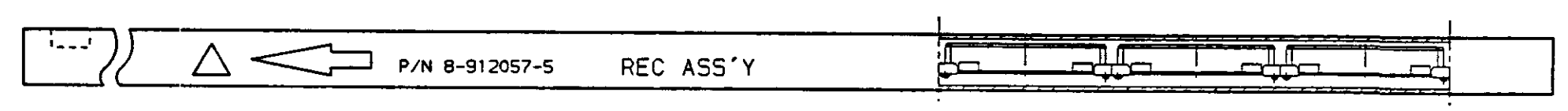
Copyright ©1993年		Copyright ©1993		AMP (Japan), LTD.		AMP		Kawasaki, Japan	
D	REVISED	FJ00-5097-96	T.K.I.E	29-MAR-'93	29-MAR-'93	RECEPTACLE ASSEMBLY 5H TYPE (0.5 BOSS LENGTH) FOR FH 0.8MM PITCH B-T-B CONNECTOR.			
C	REVISED	FJ00-2267-95	T.K.I.E	30-MAR-'93	30-MAR-'93	名称 (NAME)			
B	REVISED	FJ00-0653-94	T.K.Y.Y	24-NOV-'93	24-NOV-'93	一般公差 (GENERAL TOLERANCE)			
A	REVISED	FJ00-0653-94	T.K.Y.Y	30-JUN-'93	30-JUN-'93	10mm以下: ±0.2			
O	RELEASED	FJ00-0653-94	T.K.I.E	29-MAR-'93	29-MAR-'93	10mm以上 30mm以下: ±0.25			
LTR	変更 (REVISION RECORD)	DR	CHK	DATE	DATE	30mm以上 100mm以下: ±0.3			
		DR. T. KUSUHARA		DE. T. KUSUHARA		角 度: ±3°			
		CHK. I. ENOMOTO		APP. Y. YOSHIMURA		尺 度 (SCALE) 4-1			
						REV. D			
						SHEET 1 OF 2			

(CUSTOMER DRAWING) 参 考 面

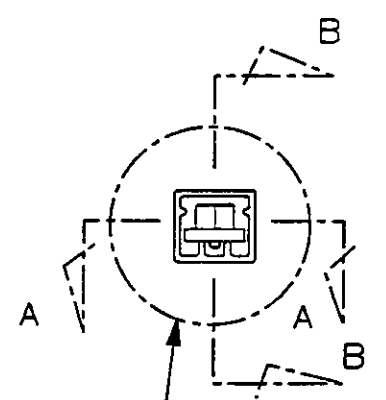
NUMBER C-177983
METRIC
三角錐 (3rd ANGLE PROJECTION)



SECT A-A

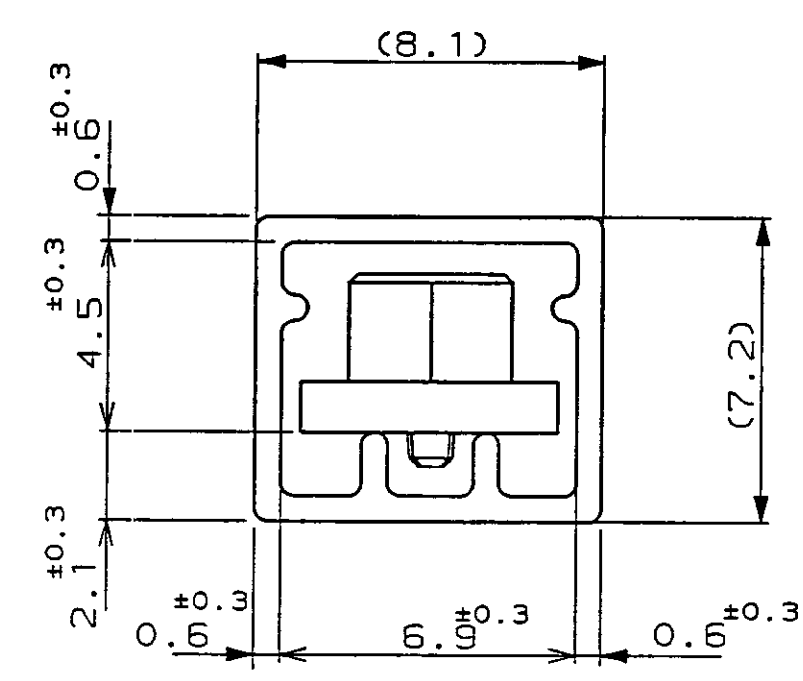


SECT B-B



DETAIL A

チューブパック参考図
REFERENCE PICTURE OF TUBE PACK



DETAIL A

5	84.2	85.8	79.2	200	1-	-0
6	76.2	77.8	71.2	180		-9
6	68.2	69.8	63.2	160		-8
7	60.2	61.8	55.2	140		-6
9	52.2	53.8	47.2	120		-5
10	44.2	45.8	39.2	100		-4
12	36.2	37.8	31.2	80		-3
16	28.2	29.8	23.2	60		-2
22	20.2	21.8	15.2	40		177983-1
数量 /オリーブ	C	B	A	POS. 極数	CONN P/N コネクタ型番	

Copyright ©1993年 日本アンプ株式会社				Copyright ©1993 AMP (Japan), LTD. ALL RIGHTS RESERVED.		AMP 株式会社 Kawasaki, Japan	
適合電線断面積 (WIRE RANGE) mm ² (AWG -)		被覆外径 (INSULATION DIA.) mmφ		名称 (NAME) RECEPTACLE ASSEMBLY 5H TYPE (0.5 BOSS LENGTH) FOR FH 0.8MM PITCH B-T-B CONNECTOR.			
材料 (MATERIAL) △		仕上 (FINISH) △		一般公差 (GENERAL TOLERANCE) 10以下: ±0.2 10〜30以下: ±0.25 30〜100以下: ±0.3 100以上: ±0.5		番号 (No.) C-177983	
DR.		DE.		尺度 (SCALE) B J		REV. D	
LTR 変更 (REVISION RECORD)		CHK. DATE		APP.		SHEET 2 OF 2	

PRINT DIST
単位: 尺 寸 DIMENSIONS IN MM. DO NOT SCALE PRINT
PROJ. NO. 593-312