



Chipsmall Limited consists of a professional team with an average of over 10 year of expertise in the distribution of electronic components. Based in Hongkong, we have already established firm and mutual-benefit business relationships with customers from,Europe,America and south Asia,supplying obsolete and hard-to-find components to meet their specific needs.

With the principle of “Quality Parts,Customers Priority,Honest Operation,and Considerate Service”,our business mainly focus on the distribution of electronic components. Line cards we deal with include Microchip,ALPS,ROHM,Xilinx,Pulse,ON,Everlight and Freescale. Main products comprise IC,Modules,Potentiometer,IC Socket,Relay,Connector.Our parts cover such applications as commercial,industrial, and automotives areas.

We are looking forward to setting up business relationship with you and hope to provide you with the best service and solution. Let us make a better world for our industry!



## Contact us

Tel: +86-755-8981 8866 Fax: +86-755-8427 6832

Email & Skype: info@chipsmall.com Web: www.chipsmall.com

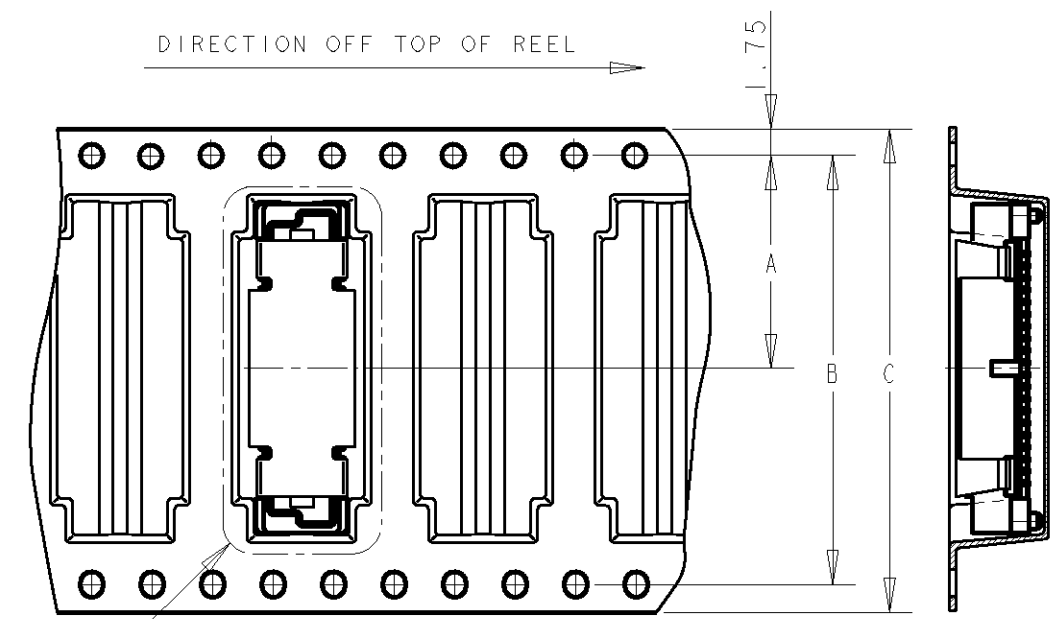
Address: A1208, Overseas Decoration Building, #122 Zhenhua RD., Futian, Shenzhen, China



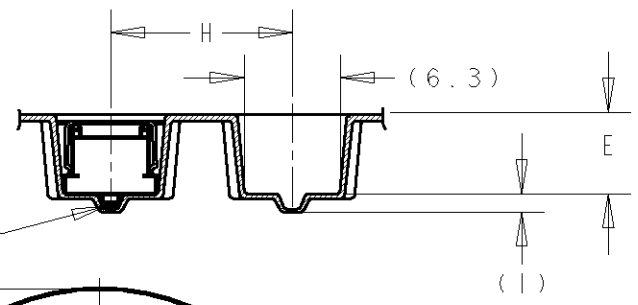
THIS DRAWING IS UNPUBLISHED. RELEASED FOR PUBLICATION .19  
 © COPYRIGHT 19 BY AMP INCORPORATED. ALL RIGHTS RESERVED.

LOC	DIST	REVISIONS					
		P	LTR	DESCRIPTION	DATE	DWN	APVD
DY	-		AB	REVISED FP00-0141-03	15JUL03	LWY	ET

DIRECTION OFF TOP OF REEL →

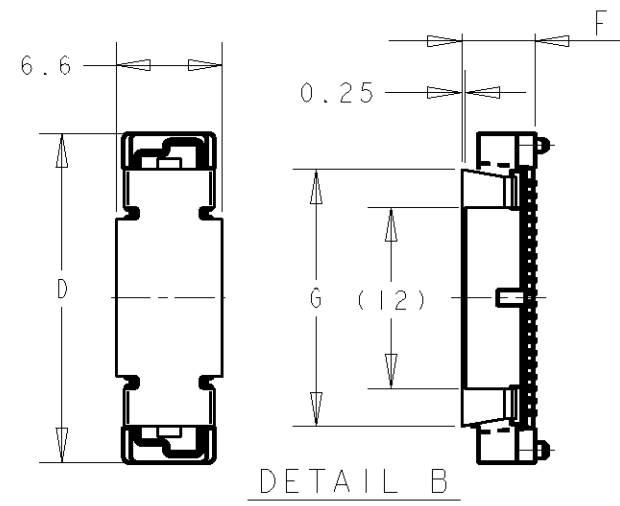
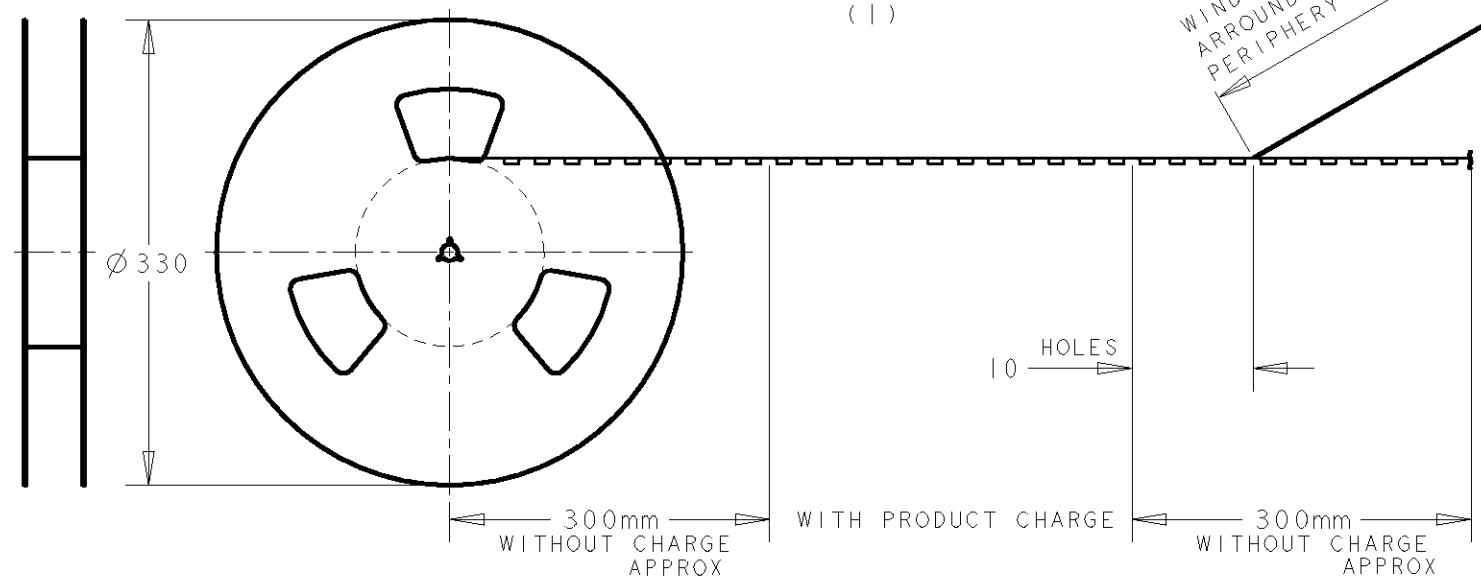


DETAIL B



LOCATION BOSS

WINDING THE COVER TAPE AROUND THE OUTER PERIPHERY IN A TURN.



DETAIL B

NOTES:

△ 0.00076 MIN GOLD PLATING (30u INCHES GOLD PLATING)

REMARKS	TOOLING STATUS	QTY	HEIGHT TYPE	H	G	F	E	D	C	B	A	POS	CONN	P/N	PART NO.			
AVAILABLE				550	6H	16	17	5.85	6.25	61.8	88	84.4	42.2	140	84615-6	6-	-6	
AVAILABLE				550	6H	16	17	5.85	6.25	53.8	72	68.4	34.2	120	84615-5	6-	-5	
AVAILABLE				550	6H	16	17	5.85	6.25	45.8	72	68.4	34.2	100	84615-4	6-	-4	
AVAILABLE				800	6H	12	17	5.85	6.25	37.8	56	52.4	26.2	80	84615-3	6-	-3	
AVAILABLE				450	7H	16	17	6.85	7.25	37.8	56	52.4	26.2	80	179030-3	4-	-3	
AVAILABLE										77.8	104	100.4	50.2	180		-9	3-	-9
AVAILABLE										69.8				160		-8	3-	-8
AVAILABLE										61.8	88	84.4	42.2	140		-6	3-	-6
AVAILABLE										53.8				120		-5	3-	-5
AVAILABLE				400		16				45.8	72	68.4	34.2	100		-4	3-	-4
AVAILABLE										37.8	56	52.4	26.2	80		-3	3-	-3
AVAILABLE										29.8	44	40.4	20.2	60		-2	3-	-2
AVAILABLE				600	8H	12	17	7.85	8.25	21.8	32	28.4	14.2	40	179031-1	3-	177986-1	
NOT AVAILABLE										61.8	88	84.4	42.2	140		-6	2-	-6
AVAILABLE										53.8				120		-5	2-	-5
AVAILABLE				450		16				45.8	72	68.4	34.2	100		-4	2-	-4
AVAILABLE										37.8	56	52.4	26.2	80		-3	2-	-3
AVAILABLE										29.8	44	40.4	20.2	60		-2	2-	-2
AVAILABLE				700	7H	12		6.85	7.25	21.8	32	28.4	14.2	40	179030-1	2-	177986-1	
AVAILABLE										61.8	88	84.4	42.2	140		-6	1-	-6
AVAILABLE										53.8				120		-5	1-	-5
AVAILABLE				550		16				45.8	72	68.4	34.2	100		-4	1-	-4
AVAILABLE										37.8	56	52.4	26.2	80		-3	1-	-3
AVAILABLE										29.8	44	40.4	20.2	60		-2	1-	-2
NOT AVAILABLE				800	6H	12		5.85	6.25	21.8	32	28.4	14.2	40	179029-1	1-	177986-1	
NOT AVAILABLE										61.8	88	84.4	42.2	140		-6		-6
AVAILABLE										53.8				120		-5		-5
NOT AVAILABLE				650		16				45.8	72	68.4	34.2	100		-4		-4
AVAILABLE										37.8	56	52.4	26.2	80		-3		-3
AVAILABLE										29.8	44	40.4	20.2	60		-2		-2
AVAILABLE				900	5H	12	17	4.85	5.25	21.8	32	28.4	14.2	40	177984-1		177986-1	

THIS DRAWING IS A CONTROLLED DOCUMENT FOR AMP INCORPORATED. IT IS SUBJECT TO CHANGE AND THE CONTROLLING ENGINEERING ORGANIZATION SHOULD BE CONTACTED FOR THE LATEST REVISION.

DWN T. KUSUHARA 8FEB93  
 CHK L. ENOMOTO  
 APVD ERIC TNG  
 PRODUCT SPEC 108-5390  
 APPLICATION SPEC 114-5254  
 WEIGHT -  
 MATERIAL - FINISH -

**AMP** AMP MANUFACTURING (SINGAPORE) PTE. LTD.

NAME PLUG ASSEMBLY (0.5 BOSS LENGTH) FOR FH 0.8 B-T-B CONN. ON TAPING

SIZE A3 CAGE CODE 00779 DRAWING NO C-177986

CUSTOMER DRAWING SCALE 2:1 SHEET 1 OF 1 REV AB