



Chipsmall Limited consists of a professional team with an average of over 10 year of expertise in the distribution of electronic components. Based in Hongkong, we have already established firm and mutual-benefit business relationships with customers from,Europe,America and south Asia,supplying obsolete and hard-to-find components to meet their specific needs.

With the principle of “Quality Parts,Customers Priority,Honest Operation,and Considerate Service”,our business mainly focus on the distribution of electronic components. Line cards we deal with include Microchip,ALPS,ROHM,Xilinx,Pulse,ON,Everlight and Freescale. Main products comprise IC,Modules,Potentiometer,IC Socket,Relay,Connector.Our parts cover such applications as commercial,industrial, and automotives areas.

We are looking forward to setting up business relationship with you and hope to provide you with the best service and solution. Let us make a better world for our industry!



Contact us

Tel: +86-755-8981 8866 Fax: +86-755-8427 6832

Email & Skype: info@chipsmall.com Web: www.chipsmall.com

Address: A1208, Overseas Decoration Building, #122 Zhenhua RD., Futian, Shenzhen, China



Blade Fuseholders - FLR PCB Fuseholder for ATO® Style Blade Fuse rated 80V

RoHS



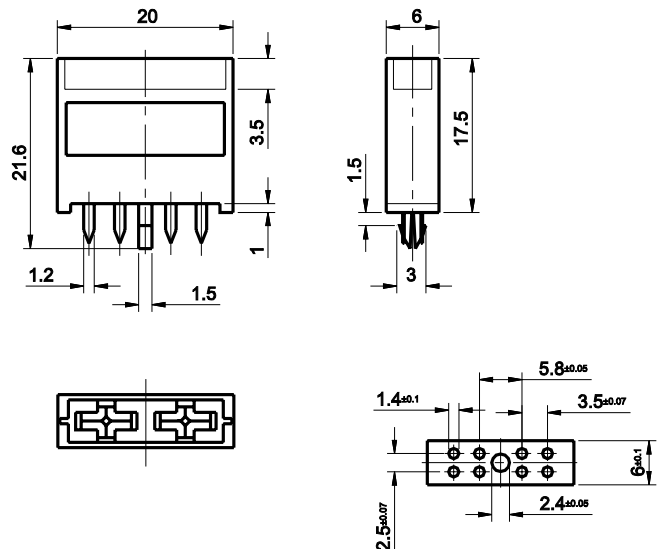
Specifications

- Housing:** Out of thermoplastic (UL 94-V0, heat-resistant)
- Connections:** Leaf spring connector systems, soldering terminals (4 pins each), copper alloy, silver plated
- Color:** Black

PCB Fuseholder for ATO/ FKS size fuse-links. For through hole soldering. Rated voltage 80V.

PCB-Sicherungshalter für Sicherungen in ATO / FKS-Größe. Durchlötmontage, Nennspannung 80V.

Dimensions in mm / Maße in mm



Part Number Artikel-Nr.	Description Beschreibung	Contact Temperature Kontakttemperatur
178.6165.000_	Complete	max. 130°C

Last figure of part number = packaging code, see Section "Packaging Index," pg. 157.
Corresponding fuse links see Section "Blade Fuses."