



Chipsmall Limited consists of a professional team with an average of over 10 year of expertise in the distribution of electronic components. Based in Hongkong, we have already established firm and mutual-benefit business relationships with customers from,Europe,America and south Asia,supplying obsolete and hard-to-find components to meet their specific needs.

With the principle of “Quality Parts,Customers Priority,Honest Operation,and Considerate Service”,our business mainly focus on the distribution of electronic components. Line cards we deal with include Microchip,ALPS,ROHM,Xilinx,Pulse,ON,Everlight and Freescale. Main products comprise IC,Modules,Potentiometer,IC Socket,Relay,Connector.Our parts cover such applications as commercial,industrial, and automotives areas.

We are looking forward to setting up business relationship with you and hope to provide you with the best service and solution. Let us make a better world for our industry!



Contact us

Tel: +86-755-8981 8866 Fax: +86-755-8427 6832

Email & Skype: info@chipsmall.com Web: www.chipsmall.com

Address: A1208, Overseas Decoration Building, #122 Zhenhua RD., Futian, Shenzhen, China



NUMBER C-178004

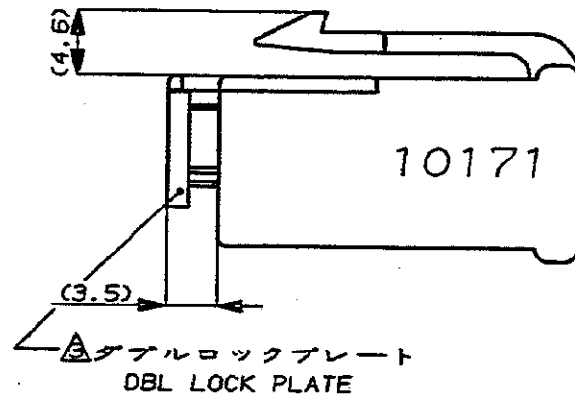
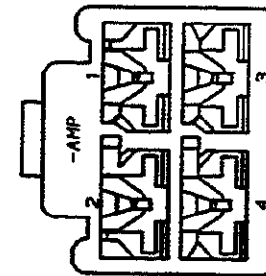
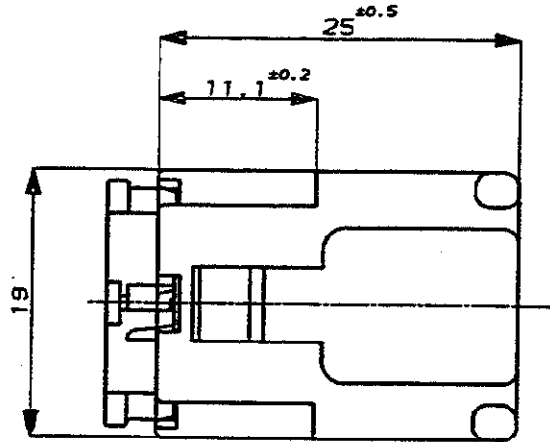
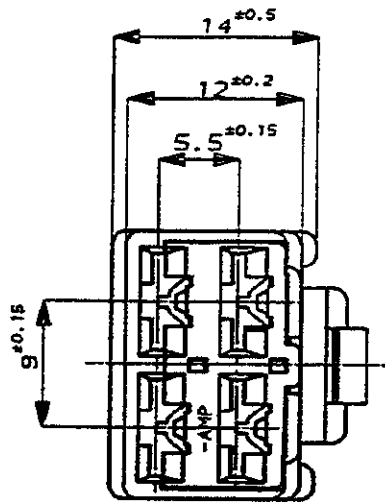


METRIC

単位: 寸法 DIMENSIONS IN MM. DO NOT SCALE PRINT

PRINT DIST

REV. 10/89



NOTE ;

1. THE MATING COUNTERPART P/N (178007, 172133)
2. APPLIED CONTACT (170032, 170258, 170384)

△ DBL LOCK PLATE
MATERIAL ; PBT
COLOR ; YELLOW

△ OBSOLETE PARTS: OBSOLETE CIS STREAMLINING PER D.RENAUD/D.SINISI

注 :

- 1 嵌合する相手ハウジングは 型番 178007, 172133
 - 2 使用端子は 型番 170032, 170258, 170384
- △ダブルロックプレートは黄色のPBT材である

△ OBSOLETE

6-178004-6	淡灰 (LIGHT GRAY)
178004-8	オレンジ (ORANGE)
178004-7	黄 (YELLOW)
178004-6	灰 (GRAY)
178004-5	青 (BLUE)
178004-4	緑 (GREEN)
178004-3	茶 (BROWN)
178004-2	黒 (BLACK)
178004-1	自然色 (NATURAL)
番号 (P/N)	色 (COLOR)

A2	REV PER ECO-10-000445	KK	AEG	JAN10
A1	ADDED -7 色追加 J-0232	RY	J	7/91
A	変更 REVISED J-0118	TS	KA	6/79
O	作成 RELEASED J-12724	TS	KA	9/1790
LTR	変更 (REVISION RECORD)	DR	CHK	DATE

Copyright ©1990年 AMP (Japan), LTD. ALL RIGHTS RESERVED.		Copyright ©1990 AMP (Japan), LTD. ALL RIGHTS RESERVED.	
複合電線断面径 (WIRE RANGE)	絶縁外径 (INSULATION DIA.)	名称 (NAME)	.250 シリーズ ダブルロック コネクタ 4極 プラグ ハウジング .250 SERIES DOUBLE LOCK CONNECTOR 4Pos. PLUG HOUSING
材料 (MATERIAL)	色 (COLOR)	表参照	表参照 SEE TABLE
5/6 ナイロン (5/6 NYLON)		一般公差 (GENERAL TOLERANCE)	SIZE LOC 番号 (No.)
		10mm ±0.2	A3 J C-178004
		30mm ±0.25	尺度 (SCALE)
		角 度 ±3°	2-1
DR J. Sogawa 9/17'90	DR J. Sogawa 9/17'90	APP. M. Matsushita 9/17'90	REV. A2
CHK. M. Matsushita	APP. M. Matsushita		SHEET 1 OF 1

AMP 日本エー・エム・ピー株式会社
Tokyo, Japan