



Chipsmall Limited consists of a professional team with an average of over 10 year of expertise in the distribution of electronic components. Based in Hongkong, we have already established firm and mutual-benefit business relationships with customers from,Europe,America and south Asia,supplying obsolete and hard-to-find components to meet their specific needs.

With the principle of "Quality Parts,Customers Priority,Honest Operation,and Considerate Service",our business mainly focus on the distribution of electronic components. Line cards we deal with include Microchip,ALPS,ROHM,Xilinx,Pulse,ON,Everlight and Freescale. Main products comprise IC,Modules,Potentiometer,IC Socket,Relay,Connector.Our parts cover such applications as commercial,industrial, and automotives areas.

We are looking forward to setting up business relationship with you and hope to provide you with the best service and solution. Let us make a better world for our industry!



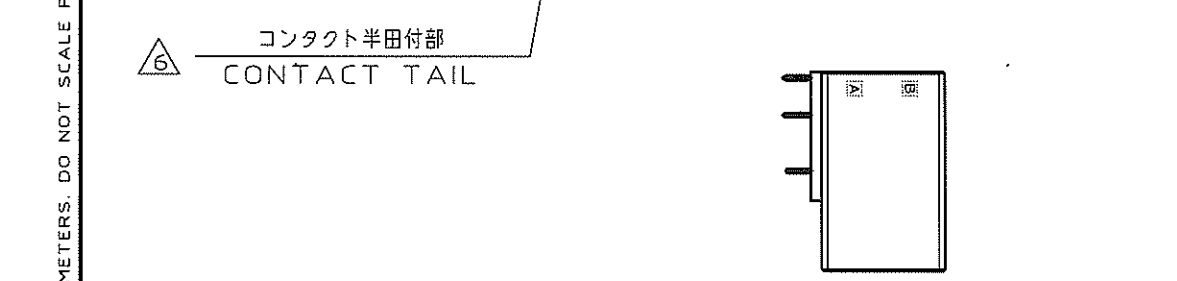
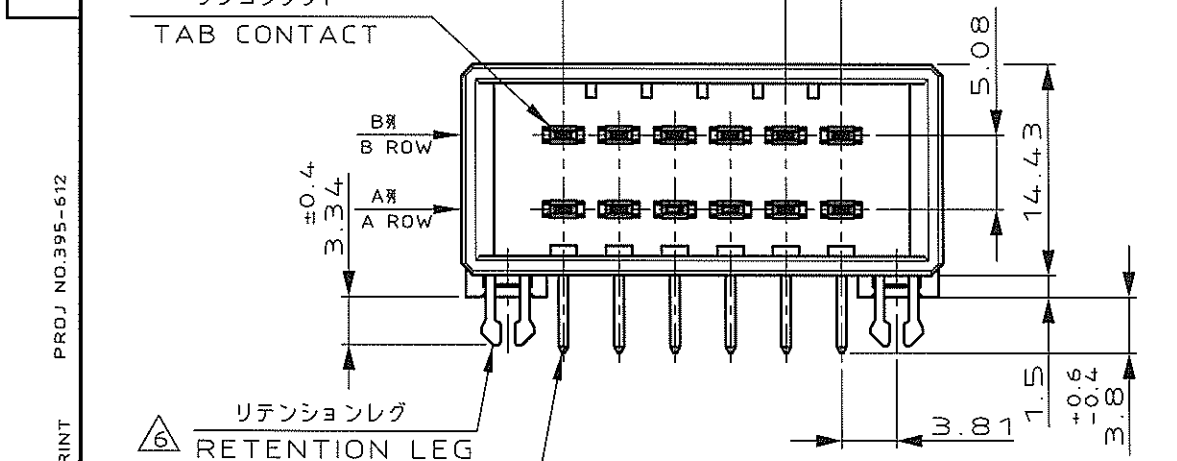
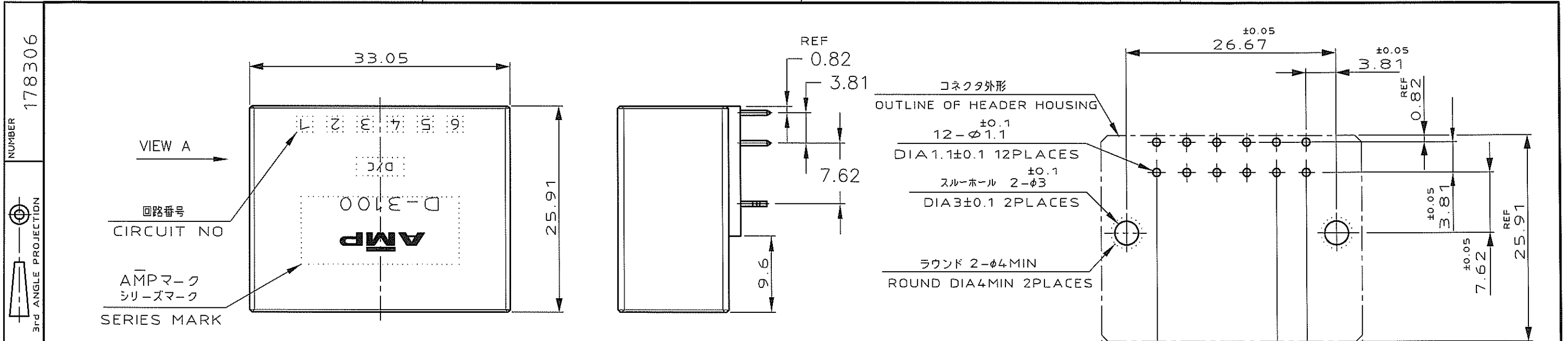
Contact us

Tel: +86-755-8981 8866 Fax: +86-755-8427 6832

Email & Skype: info@chipsmall.com Web: www.chipsmall.com

Address: A1208, Overseas Decoration Building, #122 Zhenhua RD., Futian, Shenzhen, China





VIEW A (SCALE:1:1)

△6	△4	178306-5
△6	△3	178306-3
△6	△2	178306-2
(FINISH)		製品番号 (PART NO.)

NOTES

- MATERIAL:HOUSING:GLASS FILED THERMO PLASTIC,POLYESTER
CONTACT: COPPER ALLOY
RETENTION LEG: COPPER ALLOY
- FINISH(CONTACT AREA):0.38μmMIN GOLD PLATING OVER Ni PLATING
- FINISH(CONTACT AREA):0.76μmMIN GOLD PLATING OVER Ni PLATING
- FINISH(CONTACT AREA):2.0 μmMIN TIN PLATED OVER NICKEL
- FINISH(RETENTION LEG): TIN-LEAD PLATED (CONTACT TAIL) OVER NICKEL
- FINISH(RETENTION LEG): TIN PLATED (CONTACT TAIL) OVER NICKEL

注記

- 材料: ハウジング: ガラス入り熱可塑性ポリエステル樹脂
コンタクト: 銅合金
リテンションレグ: 銅合金
- めっき: コンタクト: 全面Ni下地
接触部: 0.38μm MIN金めっき
- めっき: コンタクト: 全面Ni下地
接触部: 0.76μm MIN金めっき
- めっき: コンタクト: 全面Ni下地
接触部: 2.0 μm MINスズめっき
- めっき: リテンションレグとコンタクト半田付部
: ニッケル下地の上に半田めっき
- めっき: リテンションレグとコンタクト半田付部
: ニッケル下地の上にスズめっき

Copyright © 1995 AMP(Japan) LTD. ALL RIGHTS RESERVED.					Tyco Electronics Tyco Electronics AMP K.K. Kawasaki, Japan				
WIRE RANGE					INSULATION DIA				
MATERIAL					FINISH				
NAME					12 POS DOUBLE ROW HORIZONTAL HDR ASS'Y FOR DYNAMIC 3100				
REVISION RECORD					GENERAL TOLERANCE				
DR. 23 JUN 95 N. Matsubara					SIZE LOC NUMBER				
CHK. Y. ISHIKAWA					SCALE REV. SHEET				