



Chipsmall Limited consists of a professional team with an average of over 10 year of expertise in the distribution of electronic components. Based in Hongkong, we have already established firm and mutual-benefit business relationships with customers from,Europe,America and south Asia,supplying obsolete and hard-to-find components to meet their specific needs.

With the principle of “Quality Parts,Customers Priority,Honest Operation,and Considerate Service”,our business mainly focus on the distribution of electronic components. Line cards we deal with include Microchip,ALPS,ROHM,Xilinx,Pulse,ON,Everlight and Freescale. Main products comprise IC,Modules,Potentiometer,IC Socket,Relay,Connector.Our parts cover such applications as commercial,industrial, and automotives areas.

We are looking forward to setting up business relationship with you and hope to provide you with the best service and solution. Let us make a better world for our industry!



Contact us

Tel: +86-755-8981 8866 Fax: +86-755-8427 6832

Email & Skype: info@chipsmall.com Web: www.chipsmall.com

Address: A1208, Overseas Decoration Building, #122 Zhenhua RD., Futian, Shenzhen, China



THIS DRAWING IS UNPUBLISHED.

RELEASED FOR PUBLICATION - ,2016.

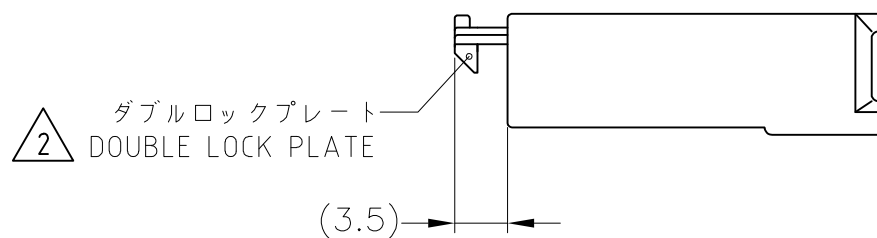
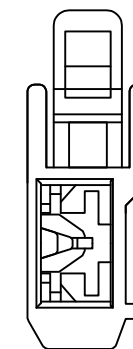
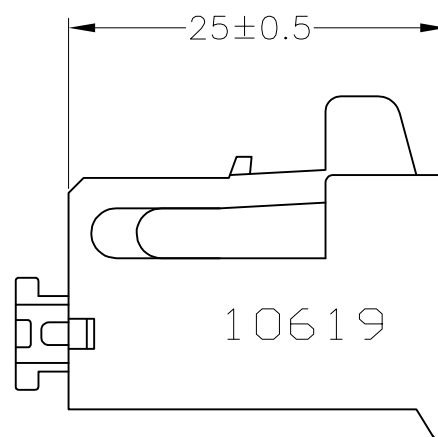
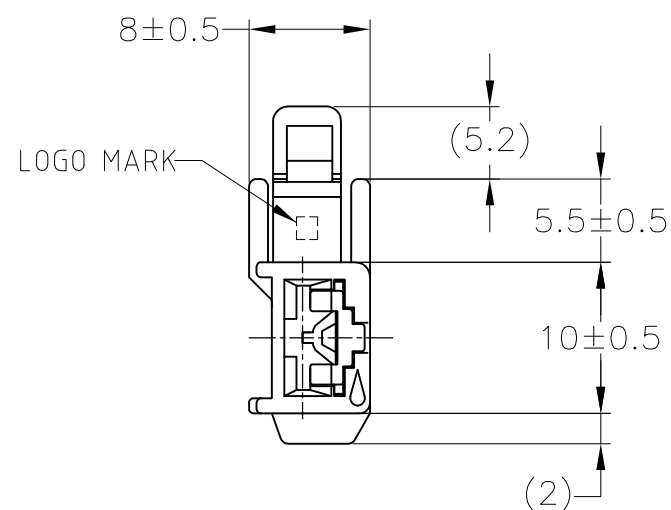
© COPYRIGHT 2016 By Tyco Electronics Japan G.K.

ALL RIGHTS RESERVED.

REVISIONS

変更

P	LTR	DESCRIPTION	DATE	DWN	APVD
	B	REVISED	19APR16	KF	RK



- 1. APPLIDE CONTACT ; 170032, 170258,170384
- 2. DOUBLE LOCK PLATE
MATERIAL ; PBT
COLOR ; YELLOW

- 1. 使用端子 ; 170032, 170258, 170384
- 2. ダブルロックプレートは黄色のPBT材である。

BLACK	178471-2
GRAY	178471-1
色 COLOR	型番 PART NUMBER

TOLERANCES UNLESS OTHERWISE SPECIFIED:
一般公差

10 ≥	: ±0.2
30 ≥	>10 : ±0.25
100 ≥	>30 : ±0.3
ANGLE : ±3°	

THIS DRAWING IS A CONTROLLED DOCUMENT.

DIMENSIONS: 単位: 耗 mm	TOLERANCES UNLESS OTHERWISE SPECIFIED: 一般公差
	0 PLC ± -
	1 PLC ± -
	2 PLC ± -
	3 PLC ± -
	4 PLC ± -
	ANGLES ± -
MATERIAL 材料 PBT	FINISH 仕上 -

DWN T.SHINOHARA	11JAN06
CHK K.BETSUI	11JAN06
APVD K.BETSUI	11JAN06
PRODUCT SPEC 製品規格 108-5370	
APPLICATION SPEC 取付適用規格	
WEIGHT 1.7 g	

TE Connectivity		NAME 名称 250 SERIES DOUBLE LOCK CONNECTOR 1POSITION PLUG HOUSING (HORN TYPE)		
		SIZE A3	CAGE CODE 00779	DRAWING NO 番号 C-178471
CUSTOMER DRAWING		SCALE 尺度 2:1	SHEET 1 OF 1	REV B