



Chipsmall Limited consists of a professional team with an average of over 10 year of expertise in the distribution of electronic components. Based in Hongkong, we have already established firm and mutual-benefit business relationships with customers from,Europe,America and south Asia,supplying obsolete and hard-to-find components to meet their specific needs.

With the principle of “Quality Parts,Customers Priority,Honest Operation,and Considerate Service”,our business mainly focus on the distribution of electronic components. Line cards we deal with include Microchip,ALPS,ROHM,Xilinx,Pulse,ON,Everlight and Freescale. Main products comprise IC,Modules,Potentiometer,IC Socket,Relay,Connector.Our parts cover such applications as commercial,industrial, and automotives areas.

We are looking forward to setting up business relationship with you and hope to provide you with the best service and solution. Let us make a better world for our industry!



Contact us

Tel: +86-755-8981 8866 Fax: +86-755-8427 6832

Email & Skype: info@chipsmall.com Web: www.chipsmall.com

Address: A1208, Overseas Decoration Building, #122 Zhenhua RD., Futian, Shenzhen, China



NUMBER C-178602

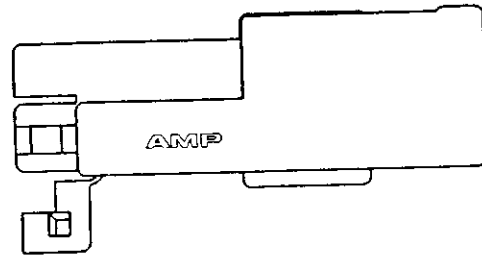
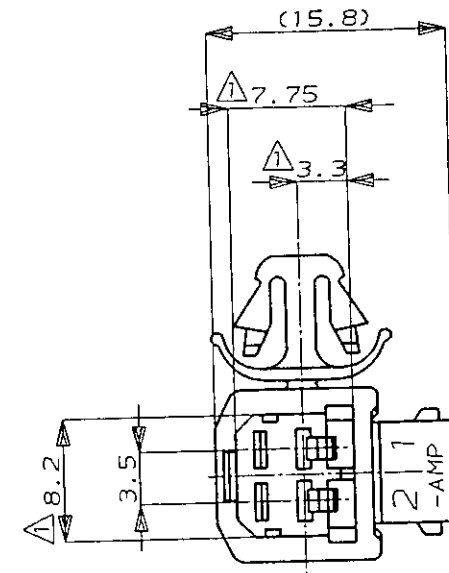
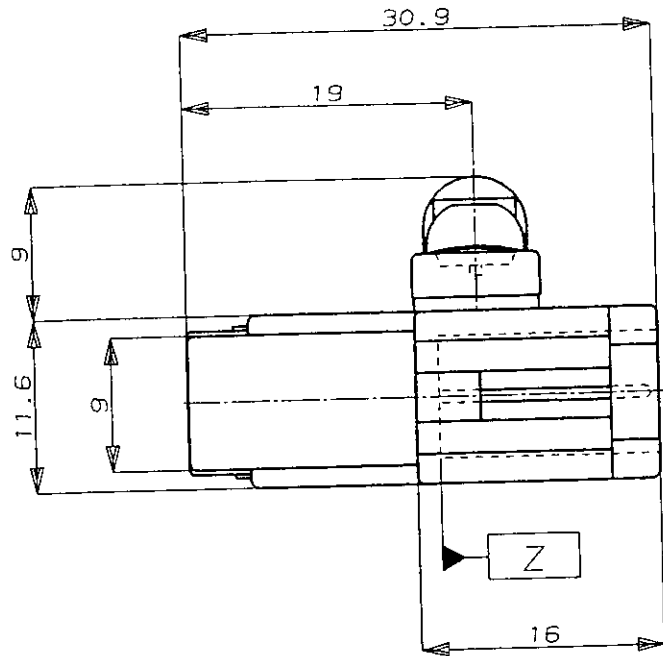
三角法 (3rd ANGLE PROJECTION)

METRIC

PRINT DIST. DIMENSIONS IN MM. DO NOT SCALE PRINT

PRINT DIST

AMP-J REV.10/83



NOTE;

- △ MUST BE KEPT BETWEEN [Z] AND 2mm.
- 2 THE MATING PLUG HOUSING PART NUMBER 174463.
- 3 APPLIED CONTACT P/N 173633, 173645.
- 4 MOUNTING PANEL HOLE 7.0±0.1mmDIA. PANEL THK. 0.7-2mm.

注 :

- △ [Z]面より2mmの範囲で測定
- 2 嵌合相手ハウジング型番 : 174463
- 3 内装するタブコンタクト型番 : 173633, 173645
- 4 相手取付穴径φ7.0±0.1mm. パネル板厚0.7-2mm

黒 (BLACK)	178602-2
白 (WHITE)	178602-1
色 (COLOR)	P/N

AMP 日本エー・エム・ピー株式会社 Tokyo, Japan

Copyright ©1991年 AMP (Japan), LTD. ALL RIGHTS RESERVED.

包合電線断面積 (WIRE RANGE)		被覆外径 (INSULATION DIA.)		名称 (NAME)	
— mm ² (AWG —)		— mmφ		2Pos. CAP HSG. (PANEL MOUNT TYPE) .070SERIES MULTI LOCK CONN. 2極 キャップ ハウジング (パネル取付型) .070シリーズ マルチロック コネクタ	
材料 (MATERIAL)		仕上 (FINISH)		一般公差 (GENERAL TOLERANCE)	
PBT		—		10mm以下 : ±0.2 10mm以上 30mm以下 : ±0.25 30mm以上 100mm以下 : ±0.3 角 度 : ±3°	
DR. 10/18 '91		DE. 10/18 '91		LOC 番号 (No.)	
CHK. 10/18 '91		APP. 10/18 '91		B J C-178602	
LTR 変更 (REVISION RECORD)		DR CHK DATE		尺度 (SCALE) REV. SHEET	
				2-1 B 1 OF 1	

(CUSTOMER DRAWING) 参考図面