



Chipsmall Limited consists of a professional team with an average of over 10 year of expertise in the distribution of electronic components. Based in Hongkong, we have already established firm and mutual-benefit business relationships with customers from,Europe,America and south Asia,supplying obsolete and hard-to-find components to meet their specific needs.

With the principle of “Quality Parts,Customers Priority,Honest Operation,and Considerate Service”,our business mainly focus on the distribution of electronic components. Line cards we deal with include Microchip,ALPS,ROHM,Xilinx,Pulse,ON,Everlight and Freescale. Main products comprise IC,Modules,Potentiometer,IC Socket,Relay,Connector.Our parts cover such applications as commercial,industrial, and automotives areas.

We are looking forward to setting up business relationship with you and hope to provide you with the best service and solution. Let us make a better world for our industry!



## Contact us

Tel: +86-755-8981 8866 Fax: +86-755-8427 6832

Email & Skype: info@chipsmall.com Web: www.chipsmall.com

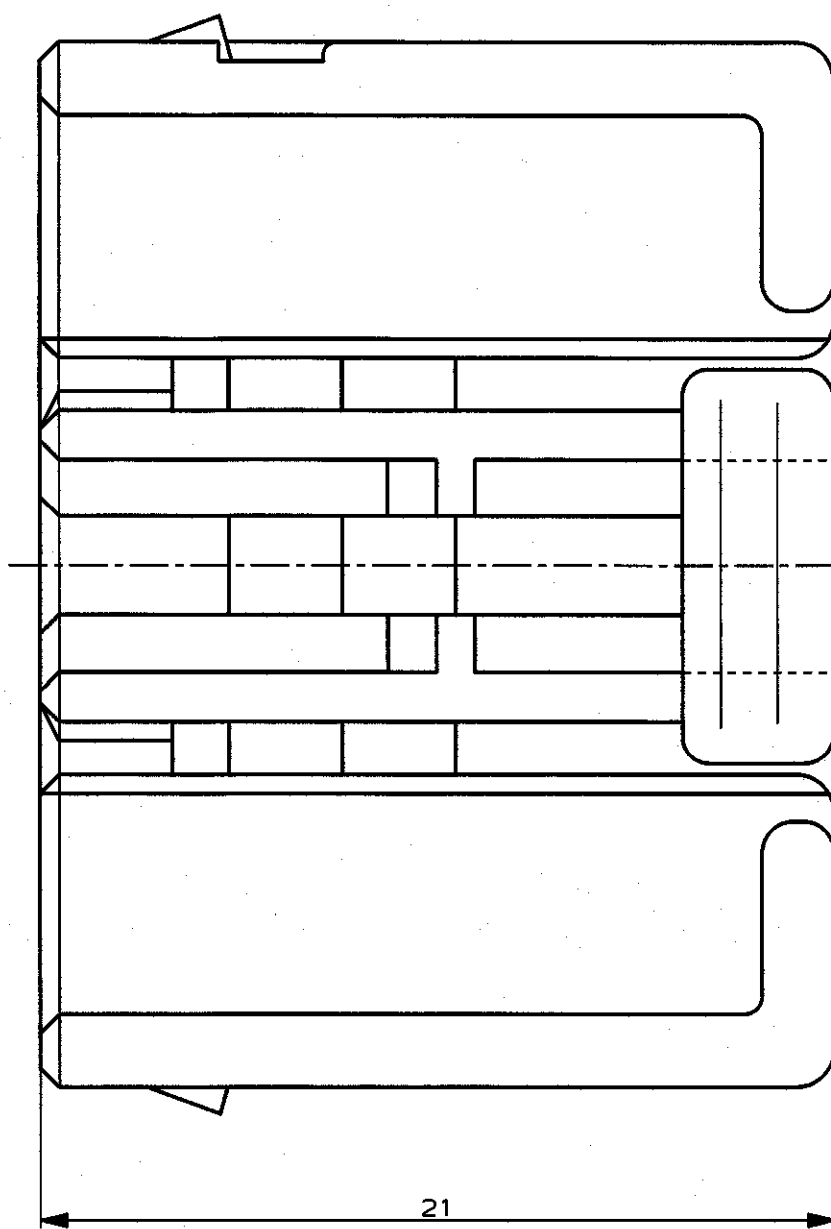
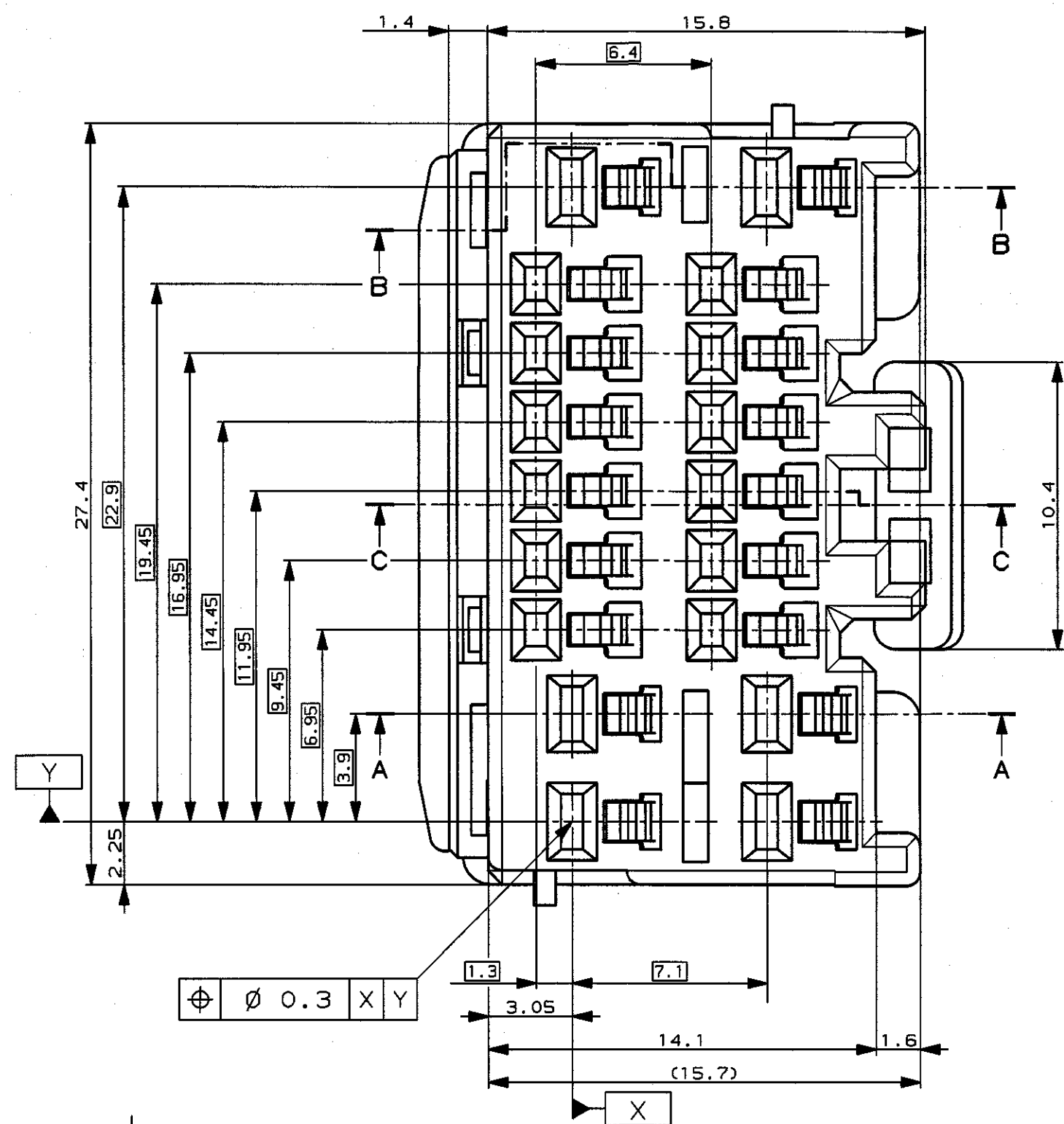
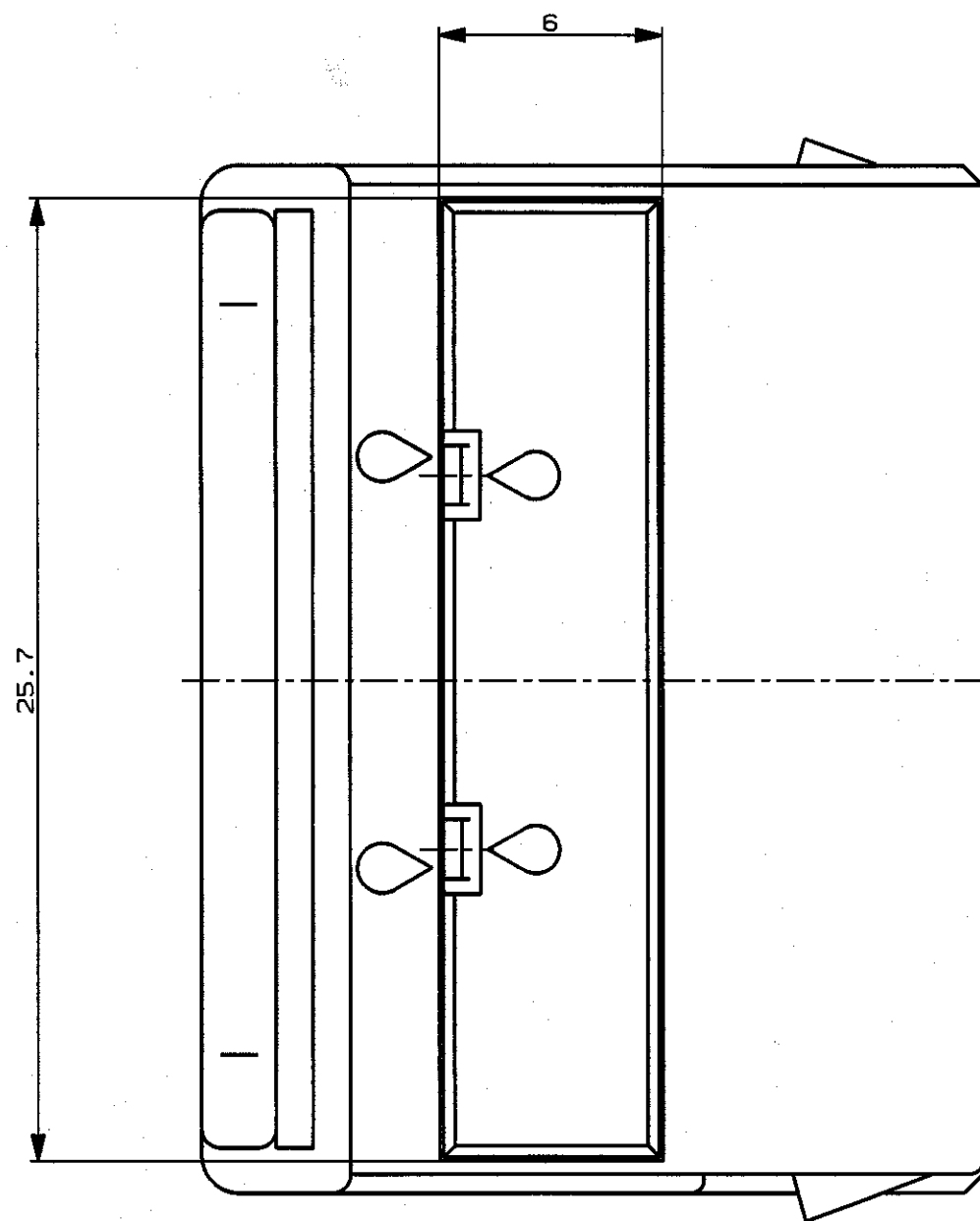
Address: A1208, Overseas Decoration Building, #122 Zhenhua RD., Futian, Shenzhen, China



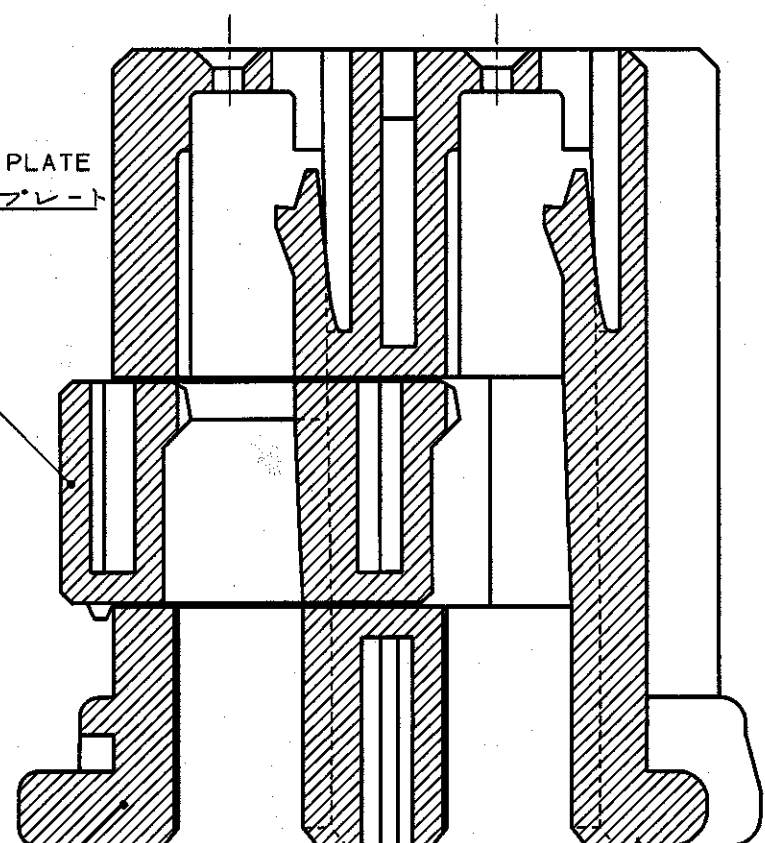
NUMBER C-178690



METRIC

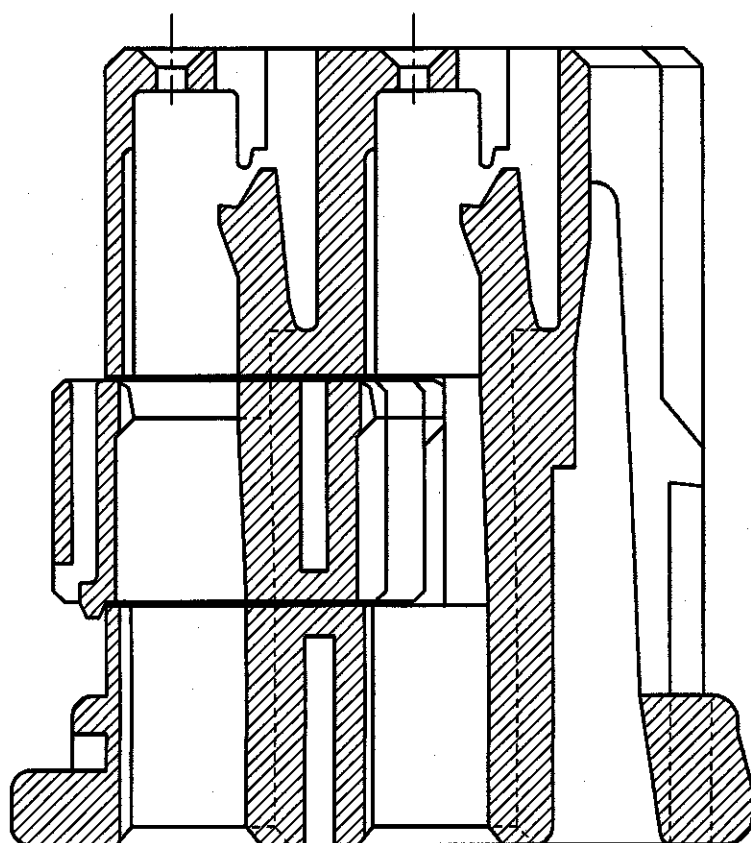


DOUBLE LOCK PLATE  
ダブルロックプレート

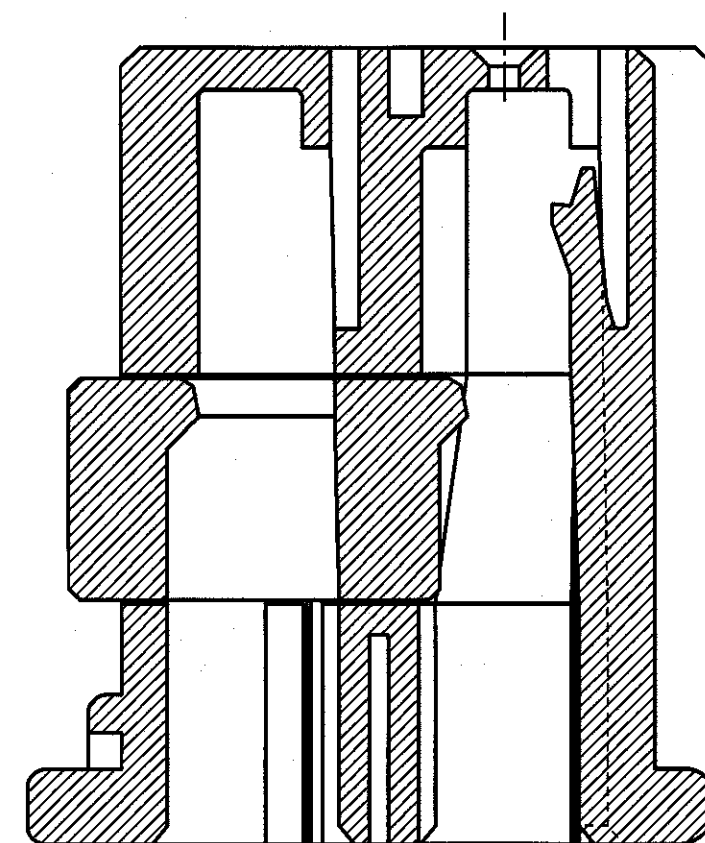
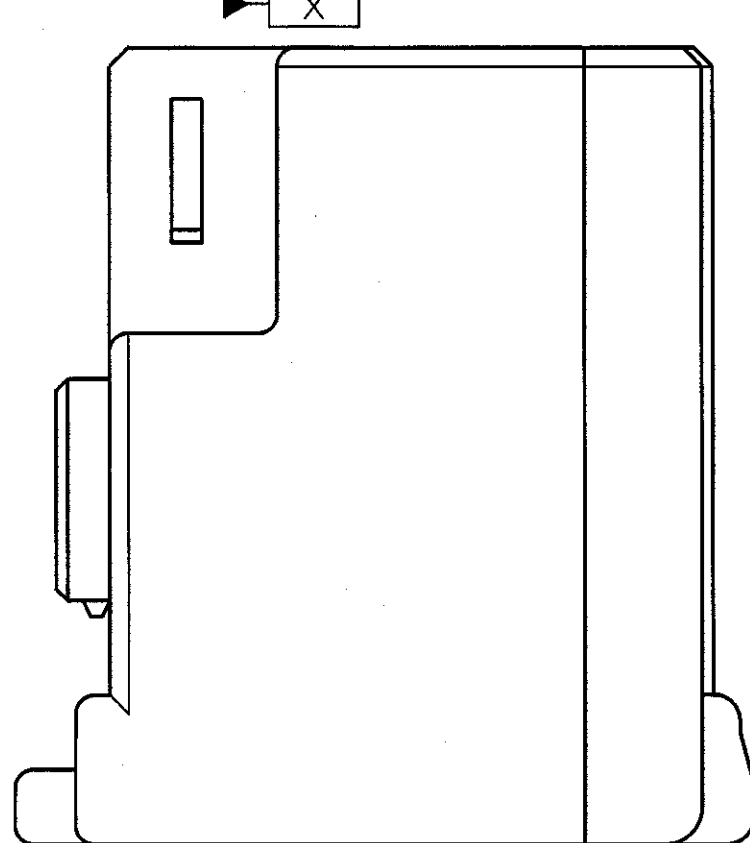


SECT. 断面 A-A

PLUG HOUSING  
プラグハウジング



SECT. 断面 C-C



断面 B-B

注記

1. 嵌合相手ハウジング型番: 178688-1
2. 適用製品規格番号: 108-5374

NOTE

1. MATING HOUSING P/N ; 178688-1
2. APPLICABLE PRODUCT SPEC NO.108-5374

PRINT DIST  
ALL DIMENSIONS IN MM. DO NOT SCALE PRINT

AMP-J  
REV. 10/91  
FJ029188

E1	ADD NOTE 2	FJ00-0937-99	TS	KB	28MAY 99
E	(REVISED)	FJ00-0328-94	TS	KO	5/10 94
D	(REVISED)	J-12551	KO	SI	6/27 91
C	(DRAWN)		KO	SI	4/25 91
LTR	変更 (REVISION RECORD)		DR	CHK	DATE

Copyright ©1990年 AMP (Japan), LTD. ALL RIGHTS RESERVED.		Copyright ©1990 AMP (Japan), LTD. ALL RIGHTS RESERVED.	
線合電線仕様書 (WIRE RANGE)	被覆外径 (INSULATION DIA.)	名称 (NAME) .040II/.070II STEERING COLUMN CONNECTOR .040II/.070IIステアリングコラムコネクタ	
材料 (MATERIAL) PBT	色 (COLOR) 白 (WHITE)	一般公差 (GENERAL TOLERANCE) 10mm以下: ±0.2 10mm以上30mm以下: ±0.25 30mm以上100mm以下: ±0.3 角度: ±3°	
DR. <i>T. Fujimori</i> 4/19 '91	DE. <i>K. Oda</i> 4/19 '91	SIZE A2 J	品番 (No.) C-178690
CHK. <i>S. Kobayashi</i> 4/25 '91	APP. <i>S. Kobayashi</i> 4/25 '91	尺度 (SCALE) 5-1	REV. E1

白 (WHITE)	178690-1
色 (COLOR)	AMP型番 (P/N)
<b>AMP</b> 日本エー・エム・ピー株式会社 Tokyo, Japan	
尺度 (SCALE) 5-1	REV. E1
SHEET 1 OF 1	