



Chipsmall Limited consists of a professional team with an average of over 10 year of expertise in the distribution of electronic components. Based in Hongkong, we have already established firm and mutual-benefit business relationships with customers from,Europe,America and south Asia,supplying obsolete and hard-to-find components to meet their specific needs.

With the principle of “Quality Parts,Customers Priority,Honest Operation,and Considerate Service”,our business mainly focus on the distribution of electronic components. Line cards we deal with include Microchip,ALPS,ROHM,Xilinx,Pulse,ON,Everlight and Freescale. Main products comprise IC,Modules,Potentiometer,IC Socket,Relay,Connector.Our parts cover such applications as commercial,industrial, and automotives areas.

We are looking forward to setting up business relationship with you and hope to provide you with the best service and solution. Let us make a better world for our industry!



Contact us

Tel: +86-755-8981 8866 Fax: +86-755-8427 6832

Email & Skype: info@chipsmall.com Web: www.chipsmall.com

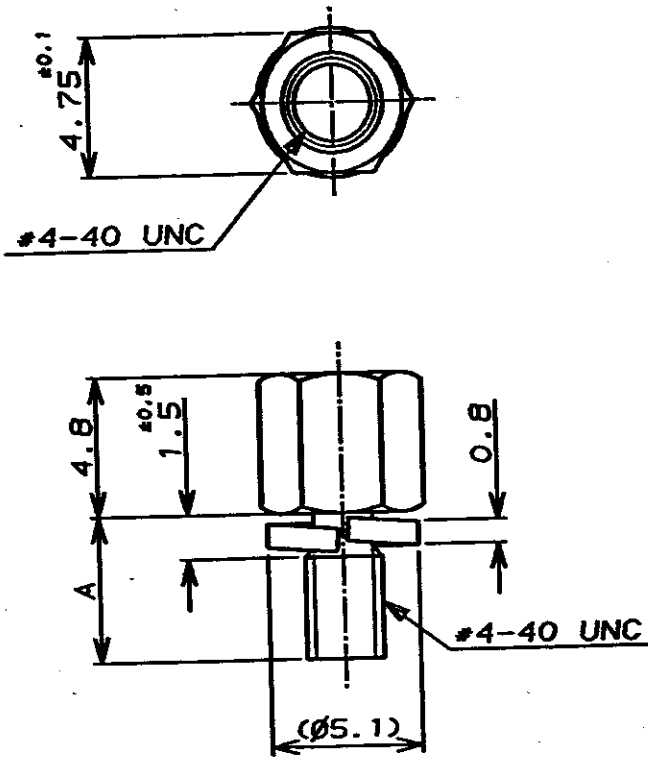
Address: A1208, Overseas Decoration Building, #122 Zhenhua RD., Futian, Shenzhen, China



NUMBER C-178877



METRIC



注記

- 1. 材料：鋼
- 2. 仕上げ：ニッケルめっき
- 3. スクリューロック取付け時の締め付けトルク：5kg-cm 以下

NOTES

- 1. MATERIAL: CARBON STEEL
- 2. FINISH: NICKEL PL.
- 3. SCREWLOCK TORQUE WHEN MOUNTED: 5kg-cm MAX.

ALL DIMENSIONS IN MM. DO NOT SCALE PRINT

7.9	↑ -2
5	178877-1
A	P/N

Copyright ©19 年 Copyright ©19 年
 AMP Japan, Ltd. ALL RIGHTS RESERVED.

AMP
 日本エー・エム・ピー株式会社
 Tokyo, Japan

一般公差 (GENERAL TOLERANCE) 10以下 ±0.2 10以上 30以下 ±0.25 30以上 100以下 ±0.3 角 度 ±3°	適合電線規格 (WIRE RANGE) mm ² (AWG)	被覆外径 (INSULATION DIA.) mm
	材料 (MATERIAL)	仕上 (FINISH)

DR. Y. KODAIRA 4/JUL/91	DE. Y. KASHIWA 6/JUL/91	尺 度 (SCALE) 4-1	SIZE A4	LOC J	番 号 (No.) C-178877	REV. A	SHEET 1 OF 1
CHK. Y. KASHIWA 6/JUL/91	APP. R. NISHIMURA 6/JUL/91	LTR 変更 (REVISION RECORD)	DR	CHK	DATE		
名称 (NAME) スクリューロック スプリングワッシャー付き		AMPリマイト		SCREWLOCK WITH SPRING WASHER AMPLIMITE			