



Chipsmall Limited consists of a professional team with an average of over 10 year of expertise in the distribution of electronic components. Based in Hongkong, we have already established firm and mutual-benefit business relationships with customers from,Europe,America and south Asia,supplying obsolete and hard-to-find components to meet their specific needs.

With the principle of “Quality Parts,Customers Priority,Honest Operation,and Considerate Service”,our business mainly focus on the distribution of electronic components. Line cards we deal with include Microchip,ALPS,ROHM,Xilinx,Pulse,ON,Everlight and Freescale. Main products comprise IC,Modules,Potentiometer,IC Socket,Relay,Connector.Our parts cover such applications as commercial,industrial, and automotives areas.

We are looking forward to setting up business relationship with you and hope to provide you with the best service and solution. Let us make a better world for our industry!



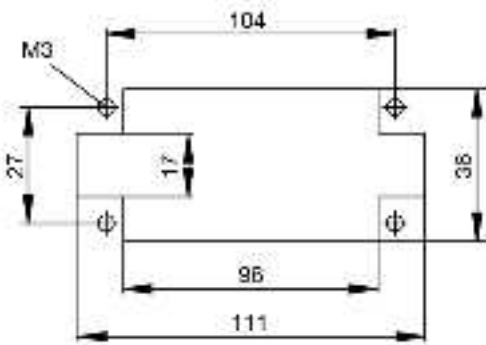
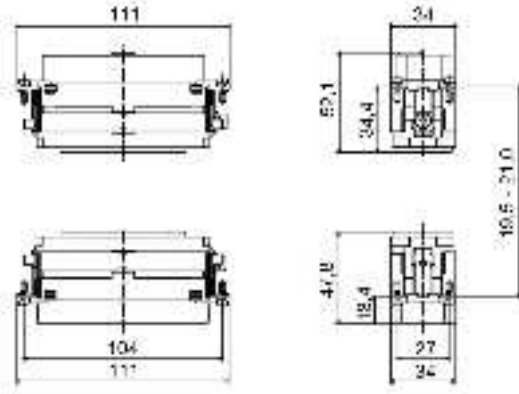
## Contact us

Tel: +86-755-8981 8866 Fax: +86-755-8427 6832

Email & Skype: info@chipsmall.com Web: www.chipsmall.com

Address: A1208, Overseas Decoration Building, #122 Zhenhua RD., Futian, Shenzhen, China





#### General ordering data

Order No.	1790030000
Part designation	HDC S6 6 SAS
Version	HDC insert, Pin, 690 V, 100 A, Poles: 6 + 6 + PE, Axial screw connection, Size: 8
EAN	4032248212095
Qty.	10 pc(s).

#### Product notes

Note, ordering data	Please note: the signal contacts are designed for a rated voltage of 400V and a rated current of 16A.
Note, technical data	PE connection via middle axial screw for both conductor and power contact.
Note, accessories	Use spanner size 3 AF for axial screw connection  For additional accessories, refer to Accessories chapter.

**Dimensions**

High plug B 45.1 mm

**General data**

Colour	beige
Insulating material group	IIIa
Insulation material	PC glass-fibre reinforced (UL-listed and railway-certified)
Insulation resistance	$10^{10} \Omega$
No. of poles, total	6 + 6 + PE
Plugging cycles, silver	$\geq 500$
Pollution severity	3
Temperature, max.	125 °C
Temperature, min.	-40 °C
UL 94 flammability class	V-0
Size	8
Series	MixMate
Type	Pin
Type designation	S6/6

**Connection data PE**

Rated cross-section	4 mm <sup>2</sup>
Fixing screw	M 4
Min. tightening torque	1.2 Nm
Blade size, crosshead	size PZ1
Max. tightening torque	1.5 Nm
Blade size, slotted	SD 0.8 x 4.0
Stripping length	8 mm
Max. connection cross-section, solid	0.5 mm <sup>2</sup>
Min. connection cross-section, solid	4 mm <sup>2</sup>
Min. connection cross-section, stranded	0.5 mm <sup>2</sup>
Connection type PE	Screw connection
Max. connection cross-section, stranded	4 mm <sup>2</sup>
Min. connection cross-section "f" with wire end ferrule	0.5 mm <sup>2</sup>
Max. connection cross-section "f" with wire end ferrule	4 mm <sup>2</sup>
AWG, min.	AWG 20
AWG, max.	AWG 12

**Rating data**

Rated voltage (DIN EN 61984)	690 V
Rated current (DIN EN 61984)	100 A
Rated voltage according to UL/CSA	600 V AC/DC
Rated impulse voltage (DIN EN 61984)	8 kV

**Version**

Type of connection	Axial screw connection
Min. tightening torque	6 Nm
Max. tightening torque	8 Nm
Stripping length	13 mm
Material	copper alloy

**Version**

Connection cross-section, min.	10 mm <sup>2</sup>
Connection cross-section, max.	35 mm <sup>2</sup>
AWG, min.	AWG 8
AWG, max.	AWG 2
Size	8
Surface finish	Silver passivated
Volume resistance	≤ 4mΩ
Clamping screw	M 7 x 0,75 mm

**Approvals**

Approvals institutes

**Classifications**

ETIM 2.0	EC001121
ETIM 3.0	EC001121
eClass 4.1	27-14-08-05
eClass 5.0	27-14-34-19
eClass 5.1	27-14-34-19

**Similar products**

Order No.	Part designation	Version
1789970000	HDC S4 0 BAS	HDC insert, Socket, 830 V, 80 A, Poles: 4 + 0 + PE, Axial screw connection, Size: 6
1789960000	HDC S4 0 SAS	HDC insert, Pin, 830 V, 80 A, Poles: 4 + 0 + PE, Axial screw connection, Size: 6
1789980000	HDC S4 BAS	HDC insert, Socket, 1000 V, 65 A, Poles: 4 + PE, Axial screw connection, Size: 3
1789990000	HDC S4 SAS	HDC insert, Pin, 1000 V, 65 A, Poles: 4 + PE, Axial screw connection, Size: 3
1790010000	HDC S6 12 BAS	HDC insert, Socket, 630 V, 48 A, Poles: 6 + 12 + PE, Axial screw connection, Size: 6
1790000000	HDC S6 12 SAS	HDC insert, Pin, 690 V, 48 A, Poles: 6 + 12 + PE, Axial screw connection, Size: 6
1790020000	HDC S6 6 BAS	HDC insert, Socket, 690 V, 100 A, Poles: 6 + 6 + PE, Axial screw connection, Size: 8