



Chipsmall Limited consists of a professional team with an average of over 10 year of expertise in the distribution of electronic components. Based in Hongkong, we have already established firm and mutual-benefit business relationships with customers from,Europe,America and south Asia,supplying obsolete and hard-to-find components to meet their specific needs.

With the principle of “Quality Parts,Customers Priority,Honest Operation,and Considerate Service”,our business mainly focus on the distribution of electronic components. Line cards we deal with include Microchip,ALPS,ROHM,Xilinx,Pulse,ON,Everlight and Freescale. Main products comprise IC,Modules,Potentiometer,IC Socket,Relay,Connector.Our parts cover such applications as commercial,industrial, and automotives areas.

We are looking forward to setting up business relationship with you and hope to provide you with the best service and solution. Let us make a better world for our industry!



Contact us

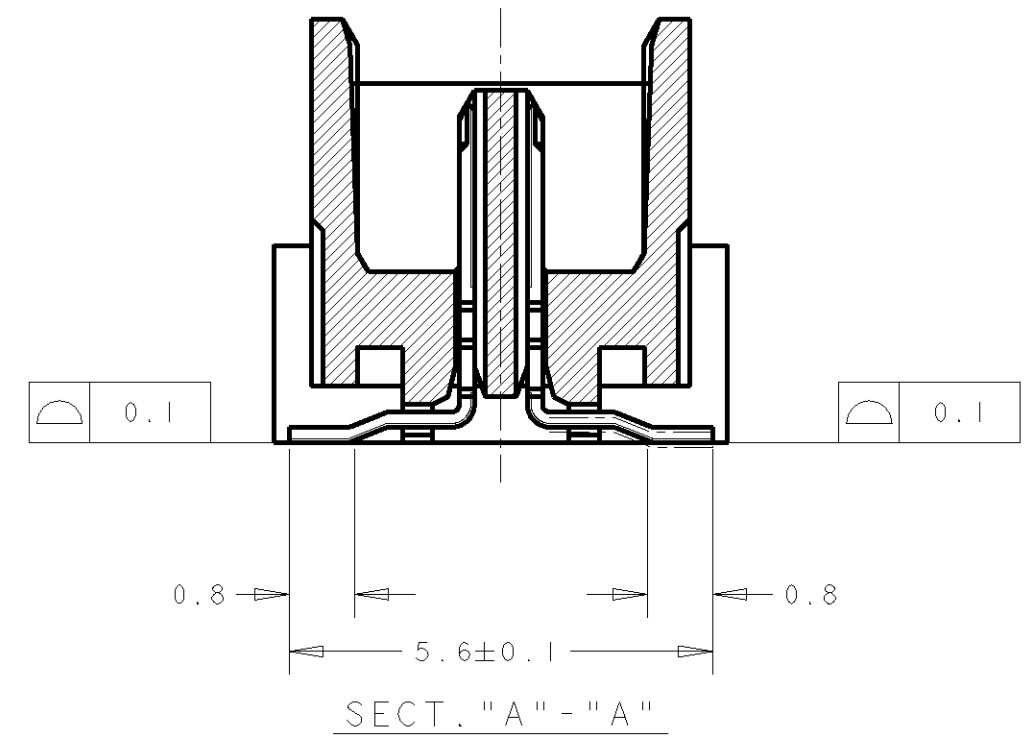
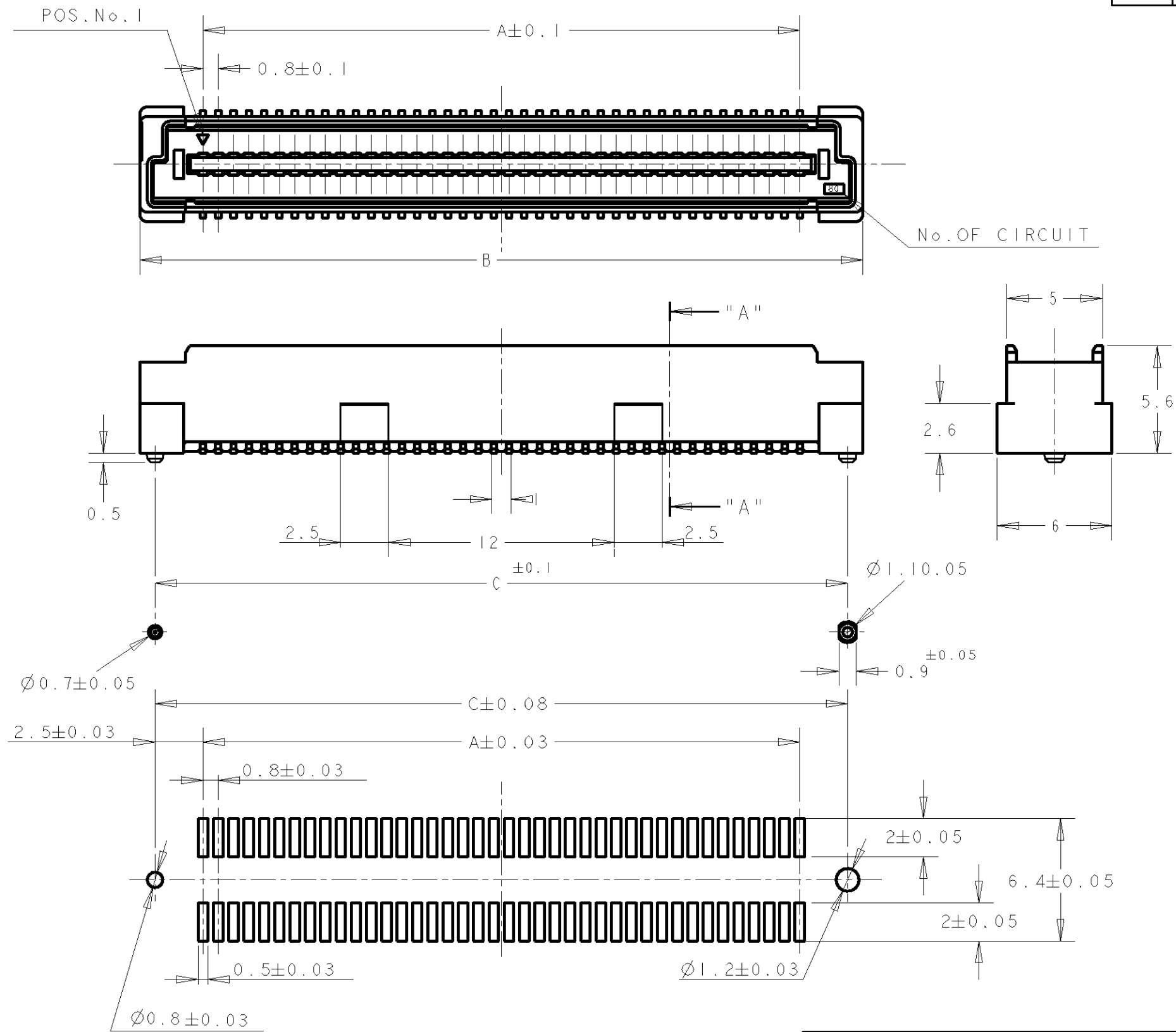
Tel: +86-755-8981 8866 Fax: +86-755-8427 6832

Email & Skype: info@chipsmall.com Web: www.chipsmall.com

Address: A1208, Overseas Decoration Building, #122 Zhenhua RD., Futian, Shenzhen, China



LOC	DIST	REVISIONS			
P	LTR	DESCRIPTION	DATE	DWN	APVD
DY	-	K1 REVISED PER ECO-11-005139	19MAR11	RK	HMR



- NOTES:
- MATERIAL; HOUSING: L.C.P (HIGH TEMP THERMO PLASTIC) UL 94V-0, NATURAL. CONTACT: BRASS.
 - FINISH; CONTACT AREA: 0.0002 MIN GOLD ON 0.0013 MIN ALL OVER NICKEL. SOLDERING AREA: 0.001 MIN TIN-LEAD.
 - POSITION SERIES; SEE TABLE.
 - CONN STACK HEIGHT COMBINE OF PLUG "Y" H VS REC "X" H. STACK HEIGHT = Y + X - 5

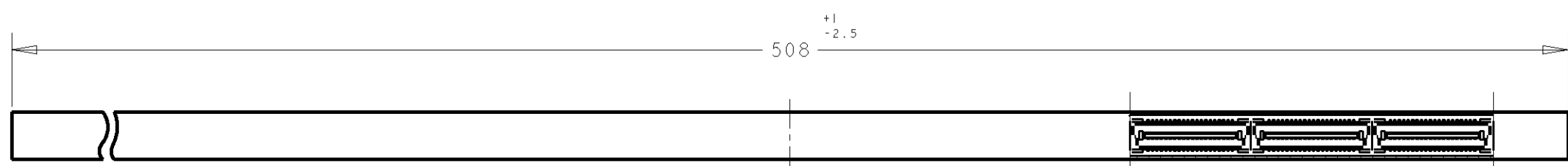
P/N SEE SHEET 2 OF 2.

RECOMMENDED P.C. BOARD LAYOUT

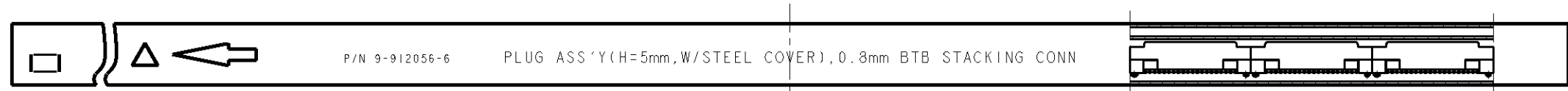
DWN T. KUSUHARA 30MAR93		STE TE Connectivity	
CHK I. ENOMOTO 30MAR93			
APVD ERIC TNG		NAME	
PRODUCT SPEC		PLUG ASSEMBLY 6H TYPE (0.5 BOSS LENGTH) FOR FH 0.8mm PITCH B-T-B CONNECTOR	
APPLICATION SPEC		SIZE	CAGE CODE
WEIGHT		A3	00779
MATERIAL		DRAWING NO	
FINISH		C-179029	
CUSTOMER DRAWING		SCALE	SHEET
		4:1	1 OF 2
			REV K1

THIS DRAWING IS UNPUBLISHED. RELEASED FOR PUBLICATION .19 .
 © COPYRIGHT - BY - ALL RIGHTS RESERVED.

LOC	DIST	REVISIONS			
P	LTR	DESCRIPTION	DATE	DWN	APVD
DY	-	- SEE SHEET 1 OF 2	-	-	-

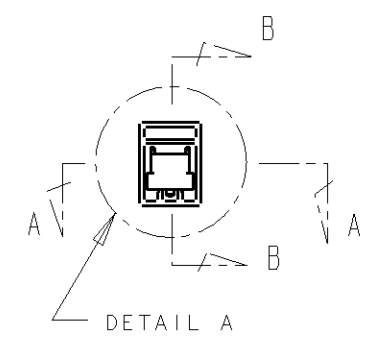


SECT A-A

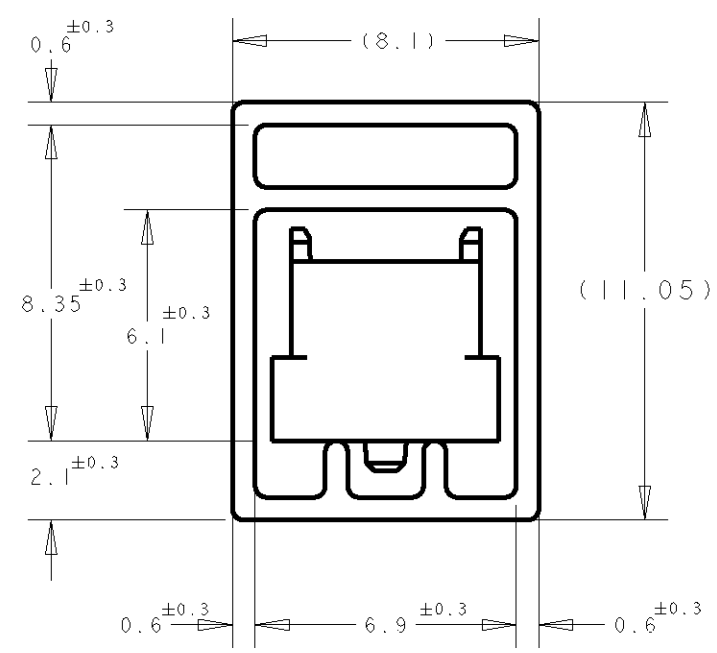


P/N 9-912056-6 PLUG ASS'Y (H=5mm, W/STEEL COVER), 0.8mm BTB STACKING CONN

SECT B-B



REFERENCE PICTURE OF TUBE PACK



DETAIL "B"
(SCALE 5-1)

5	84.2	85.8	79.2	200	1-	-0
6	76.2	77.8	71.2	180		-9
6	68.2	69.8	63.2	160		-8
7	60.2	61.8	55.2	140		-6
9	52.2	53.8	47.2	120		-5
10	44.2	45.8	39.2	100		-4
12	36.2	37.8	31.2	80		-3
16	28.2	29.8	23.2	60		-2
22	20.2	21.8	15.2	40		179029-1
QTY/ TUBE	C	B	A	POS.	CONN P/N	

DIMS: mm		TOLERANCES UNLESS OTHERWISE SPECIFIED:		DWN T.KUSUHARA 30MAR93		TE TE Connectivity	
		0 PLC ±- 1 PLC ±0.20 2 PLC ±0.25 3 PLC ±0.30 4 PLC ±- ANGLES ±3°		CHK I.ENOMOTO 30MAR93			
MATERIAL		FINISH		APVD ERIC TNG		NAME	
				PRODUCT SPEC -		PLUG ASSEMBLY 6H TYPE (0.5 BOSS LENGTH) FOR FH 0.8mm PITCH B-T-B CONNECTOR	
CUSTOMER DRAWING				APPLICATION SPEC -		DRAWING NO	
				WEIGHT -		SIZE A3	
						CAGE CODE 00779	
						DRAWING NO C-179029	
						SCALE - SHEET 2 OF 2 REV K1	