



Chipsmall Limited consists of a professional team with an average of over 10 year of expertise in the distribution of electronic components. Based in Hongkong, we have already established firm and mutual-benefit business relationships with customers from,Europe,America and south Asia,supplying obsolete and hard-to-find components to meet their specific needs.

With the principle of “Quality Parts,Customers Priority,Honest Operation,and Considerate Service”,our business mainly focus on the distribution of electronic components. Line cards we deal with include Microchip,ALPS,ROHM,Xilinx,Pulse,ON,Everlight and Freescale. Main products comprise IC,Modules,Potentiometer,IC Socket,Relay,Connector.Our parts cover such applications as commercial,industrial, and automotives areas.

We are looking forward to setting up business relationship with you and hope to provide you with the best service and solution. Let us make a better world for our industry!



## Contact us

Tel: +86-755-8981 8866 Fax: +86-755-8427 6832

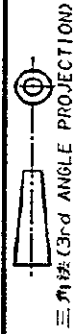
Email & Skype: info@chipsmall.com Web: www.chipsmall.com

Address: A1208, Overseas Decoration Building, #122 Zhenhua RD., Futian, Shenzhen, China



NUMBER

C-179183

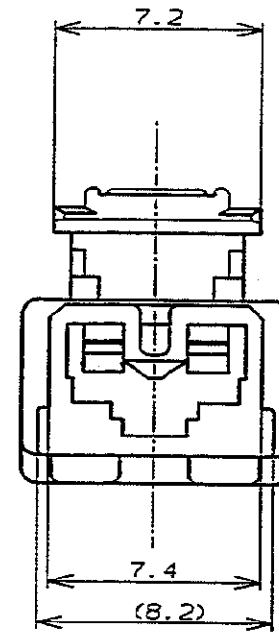
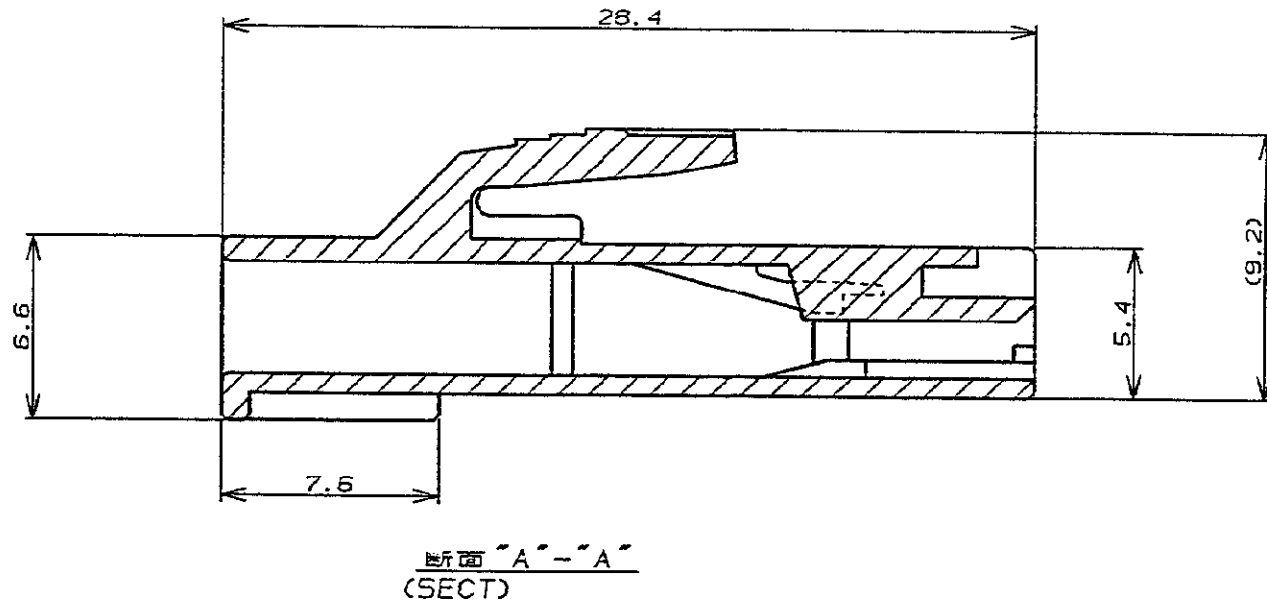
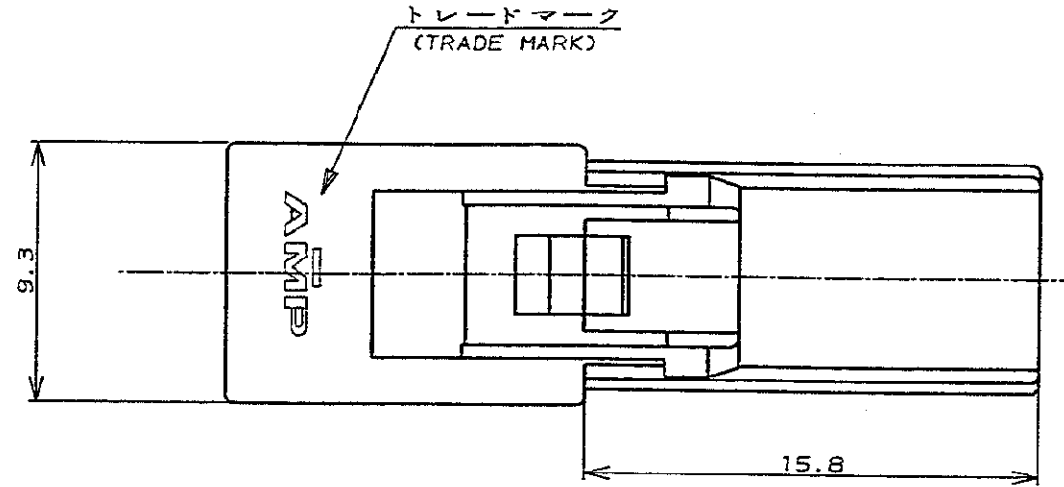
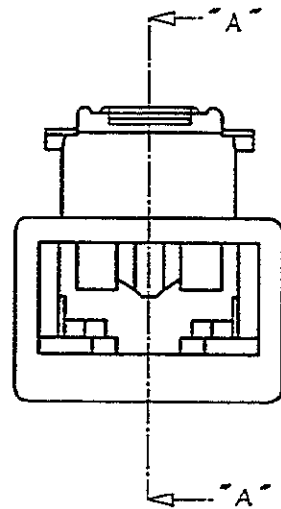


METRIC

ALL DIMENSIONS IN MM. DO NOT SCALE PRINT

PRINT DIST

AMP-J010-2C  
REV. 3/93



注記;

- 適用コンタクト型番  
170324-X  
170325-X  
170326-X
- かん合相手タブハウジング型番  
179182-X

NOTES;

- APPLICABLE CONTACT P/N  
170324-X  
170325-X  
170326-X
- MATING TAB HOUSING P/N  
179182-X

(RED)	赤	179183-7
(BLACK)	黒	179183-9
(BLUE)	青	179183-6
(NATURAL)	自然色	179183-1
(COLOR)	色	(P/N) 型番

				<b>tyco</b> Electronics		Tyco Electronics AMP K.K. Kawasaki, Japan	
				名称 (NAME)		187 シリーズ ポジティブロック リセ ハウジング インナーロック	
				187 SERIES POSITIVE LOCK REC HOUSING INNER LOCK			
				材料 (MATERIAL)		仕上 (FINISH)	
				65 NYLON 94V-0 65 ナイロン 94V-0		---	
				DR.		DE.	
				N. YAMASAKI		Y. KASHIWA	
				CHK.		APP.	
				M. SHINDO		//	
				一般公差 (GENERAL TOLERANCE)		LOC 番号 (No.)	
				10mm以下: ±0.2 10mm以上 30mm以下: ±0.25 30mm以上 100mm以下: ±0.3 角 度: ±3°		B J C-179183	
				尺 度 (SCALE)		REV. SHEET	
				//		B 1 OF 1	

(CUSTOMER DRAWING)