



Chipsmall Limited consists of a professional team with an average of over 10 year of expertise in the distribution of electronic components. Based in Hongkong, we have already established firm and mutual-benefit business relationships with customers from,Europe,America and south Asia,supplying obsolete and hard-to-find components to meet their specific needs.

With the principle of “Quality Parts,Customers Priority,Honest Operation,and Considerate Service”,our business mainly focus on the distribution of electronic components. Line cards we deal with include Microchip,ALPS,ROHM,Xilinx,Pulse,ON,Everlight and Freescale. Main products comprise IC,Modules,Potentiometer,IC Socket,Relay,Connector.Our parts cover such applications as commercial,industrial, and automotives areas.

We are looking forward to setting up business relationship with you and hope to provide you with the best service and solution. Let us make a better world for our industry!



Contact us

Tel: +86-755-8981 8866 Fax: +86-755-8427 6832

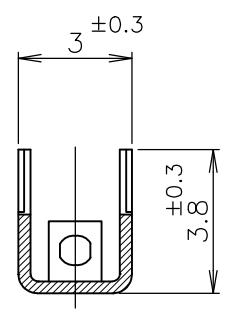
Email & Skype: info@chipsmall.com Web: www.chipsmall.com

Address: A1208, Overseas Decoration Building, #122 Zhenhua RD., Futian, Shenzhen, China

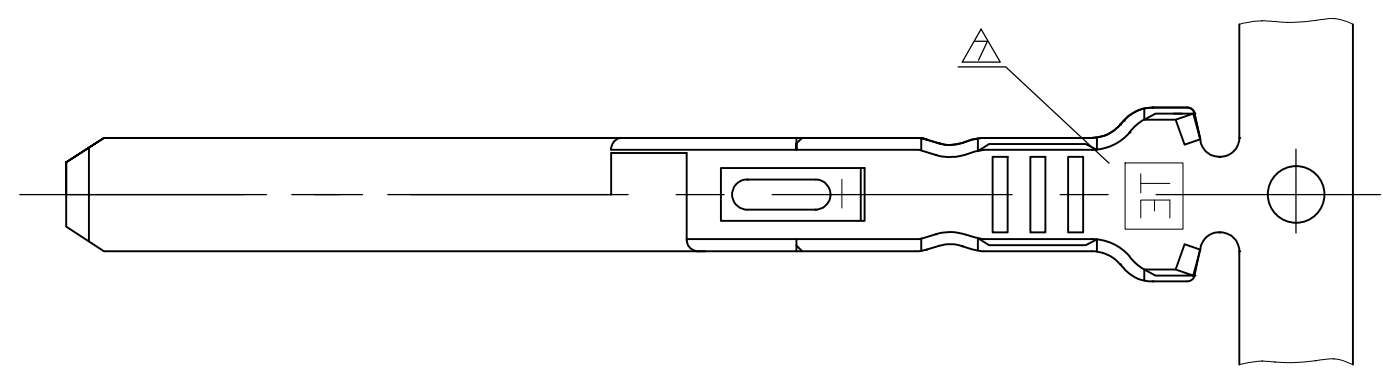


THIS DRAWING IS UNPUBLISHED. RELEASED FOR PUBLICATION
 © COPYRIGHT BY TYCO ELECTRONICS CORPORATION. ALL RIGHTS RESERVED.

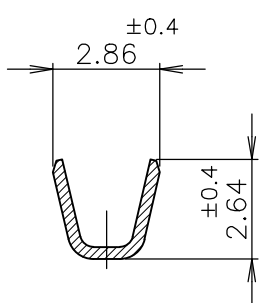
LOC	DIST	REVISIONS					
ES	00	P	LTR	DESCRIPTION	DATE	DWN	APVD
			B1	REVISED ECR-15-001258	10SEP2015	J.J	W.H



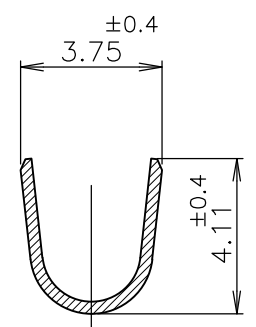
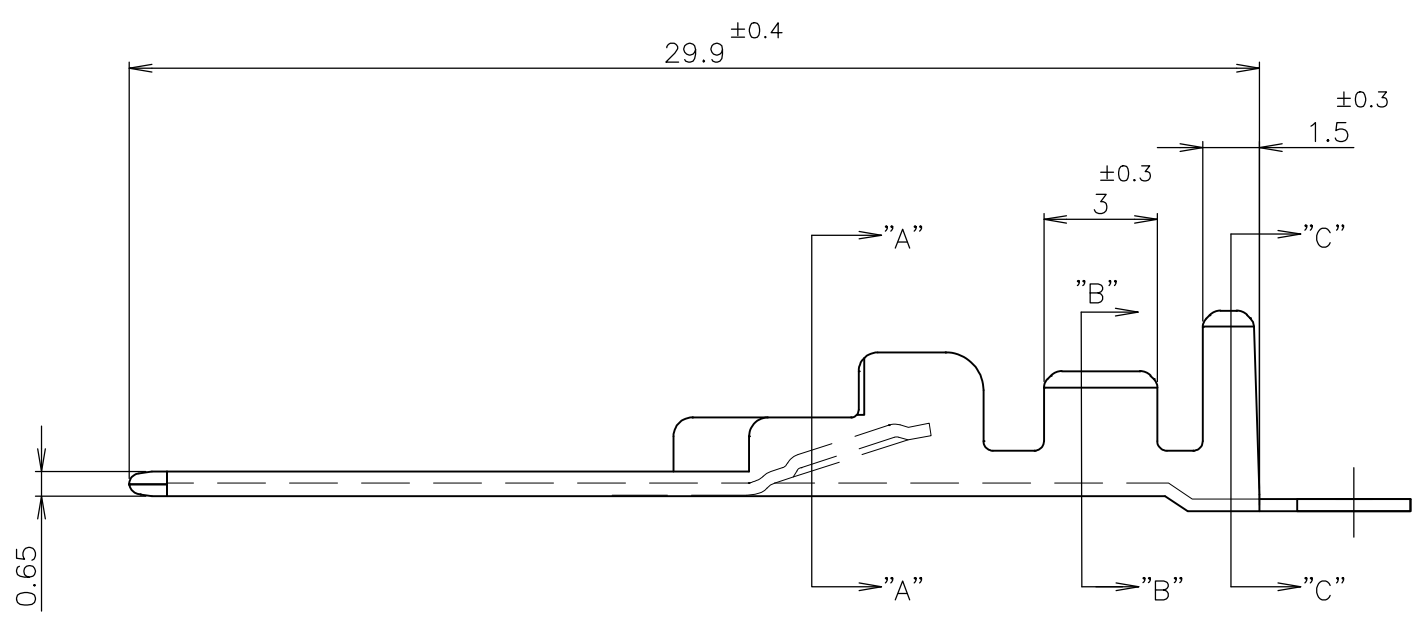
SECT "A"-"A"



- NOTES;
- ① MATERIAL : COPPER ALLOY.
 - ② FINISH : PRE-PLATED
NICKEL PL ALL OVER
CONTACT AREA : GOLD PL.
BARREL AREA : TIN-LEAD PL.
 - ③ FINISH : TIN PL ALL OVER.
 - ④ FINISH : PRE-PLATED
NICKEL PL ALL OVER
CONTACT AREA : GOLD PL.
BARREL AREA : TIN PL.
 - 5. USED CONNECTOR P/N : X-179325-X,X-179318-X
: X-179388-X
- △ GENERAL TOLERANCE
 10 ≥ : ±0.2
 30 ≥ >10: ±0.25
 100 ≥ >30: ±0.3
 ANGLES: ±3°
- △ TRADE MARK: "TE"



SECT "B"-"B"



SECT "C"-"C"

	④	179321-3
	③	1-179321-2
OBSOLETE	②	179321-2
	FINISH	P/N

WIRE RANGE	INSULATION DIA
0.5~1.25mm ² (AWG16~20)	∅1.6~2.8 mm

THIS DRAWING IS A CONTROLLED DOCUMENT.		DWN	T.YAMAD	10MAR2003	 Tyco Electronics Corporation Shanghai, P.R.China, 200233
DIMENSIONS: MM		CHK	Y.FUJIURA	08FEB94	
TOLERANCES UNLESS OTHERWISE SPECIFIED:		APVD	Y.FUJIURA	08FEB94	
0 PLC ± 1 PLC ± 2 PLC ± 3 PLC ± 4 PLC ± ANGLES ±		PRODUCT SPEC	NAME		
MATERIAL		FINISH		APPLICATION SPEC	PLUG TAB CONTACT HYBRID MINI DRAWER CONNECTOR
①		② ③ ④		114-5182	SIZE
		CUSTOMER DRAWING		WEIGHT	A3
				SCALE	1:1
				CAGE CODE	00779
				DRAWING NO	C-179321
				RESTRICTED TO	-
				SHEET	1 OF 1
				REV	B1