



Chipsmall Limited consists of a professional team with an average of over 10 year of expertise in the distribution of electronic components. Based in Hongkong, we have already established firm and mutual-benefit business relationships with customers from,Europe,America and south Asia,supplying obsolete and hard-to-find components to meet their specific needs.

With the principle of "Quality Parts,Customers Priority,Honest Operation,and Considerate Service",our business mainly focus on the distribution of electronic components. Line cards we deal with include Microchip,ALPS,ROHM,Xilinx,Pulse,ON,Everlight and Freescale. Main products comprise IC,Modules,Potentiometer,IC Socket,Relay,Connector.Our parts cover such applications as commercial,industrial, and automotives areas.

We are looking forward to setting up business relationship with you and hope to provide you with the best service and solution. Let us make a better world for our industry!



Contact us

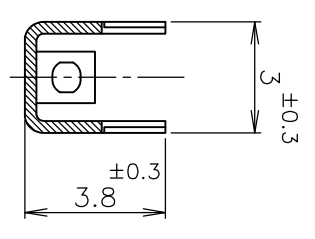
Tel: +86-755-8981 8866 Fax: +86-755-8427 6832

Email & Skype: info@chipsmall.com Web: www.chipsmall.com

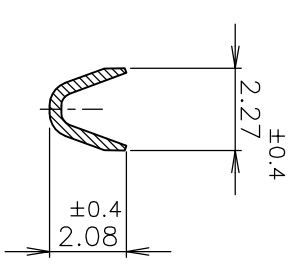
Address: A1208, Overseas Decoration Building, #122 Zhenhua RD., Futian, Shenzhen, China



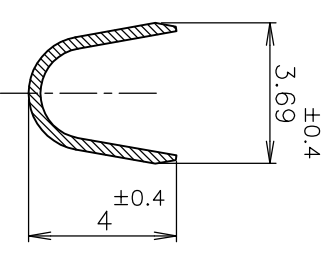
Loc	DIST	REVISIONS		
ES	00	P	DESCRIPTION	DATE
		LTR		DWN
		B	REVISED ECR-08-010159	22APR08
				C.Z S.Y



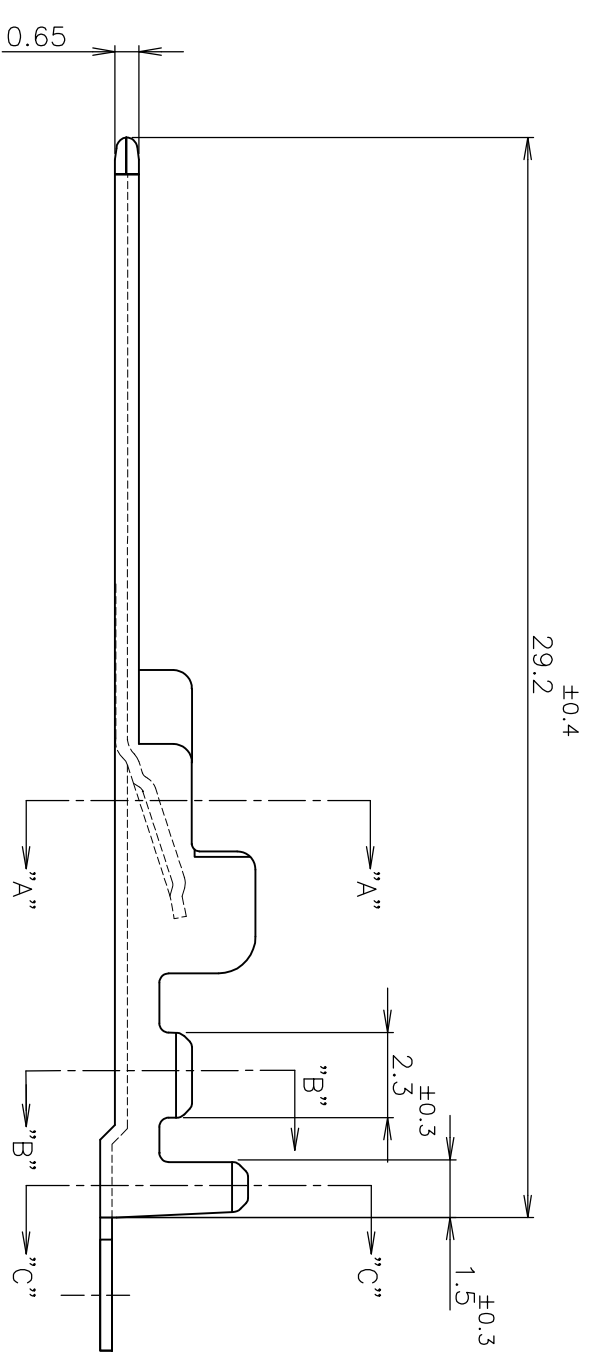
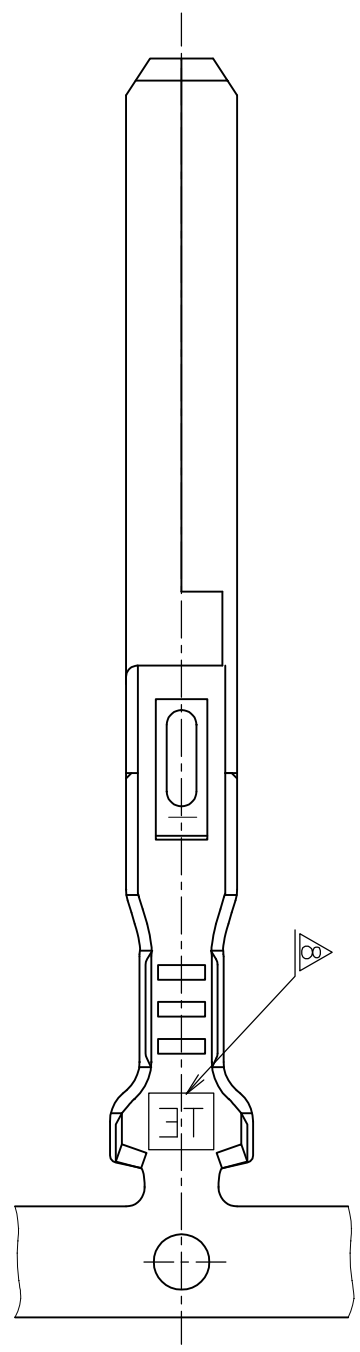
SECT "A" - "A"



SECT "B" - "B"



SECT "C" - "C"



NOTES:

- 1 MATERIAL : COPPER ALLOY.
- 2 FINISH : PRE-PLATED
- 3 FINISH : TIN PL ALL OVER
- 4 FINISH : PRE-PLATED
- 5 USED CONNECTOR P/N : X-179325-X, X-179318-X : X-179388-X
- 6 APPLICATION SPECIFICATION : (114-5182)
- GENERAL TOLERANCE
 - 10 μ : ±0.2
 - 30 μ >10 : ±0.25
 - 100 μ >30 : ±0.3
 - ANGLES : ±3°
- TRADE MARK: "TE"

4	179322-3
3	1-179322-2
2	179322-2
FINISH	P/N

WIRE RANGE 0.2~0.5mm² (AWG20~24)
INSULATION DIA ϕ 1.4~2.6 mm

Tyco Electronics
Tyco Electronics Corporation
Shanghai, P.R.China, 200233

PLUG TAB CONTACT
HYBRID MINI DRAWER CONNECTOR

SIZE	CAGE CODE	DRAWING NO	RESTRICTED TO
A3	00779	179322	—

THIS DRAWING IS A CONTROLLED DOCUMENT.	
DIMENSIONS: MM	TOLERANCES UNLESS OTHERWISE SPECIFIED:
0 PLC	±
1 PLC	±
2 PLC	±
3 PLC	±
4 PLC ANGLES	±
MATERIAL	FINISH
1	2 3 4
CUSTOMER DRAWING	

A B C D

A

B

C

D