



Chipsmall Limited consists of a professional team with an average of over 10 year of expertise in the distribution of electronic components. Based in Hongkong, we have already established firm and mutual-benefit business relationships with customers from,Europe,America and south Asia,supplying obsolete and hard-to-find components to meet their specific needs.

With the principle of “Quality Parts,Customers Priority,Honest Operation,and Considerate Service”,our business mainly focus on the distribution of electronic components. Line cards we deal with include Microchip,ALPS,ROHM,Xilinx,Pulse,ON,Everlight and Freescale. Main products comprise IC,Modules,Potentiometer,IC Socket,Relay,Connector.Our parts cover such applications as commercial,industrial, and automotives areas.

We are looking forward to setting up business relationship with you and hope to provide you with the best service and solution. Let us make a better world for our industry!



Contact us

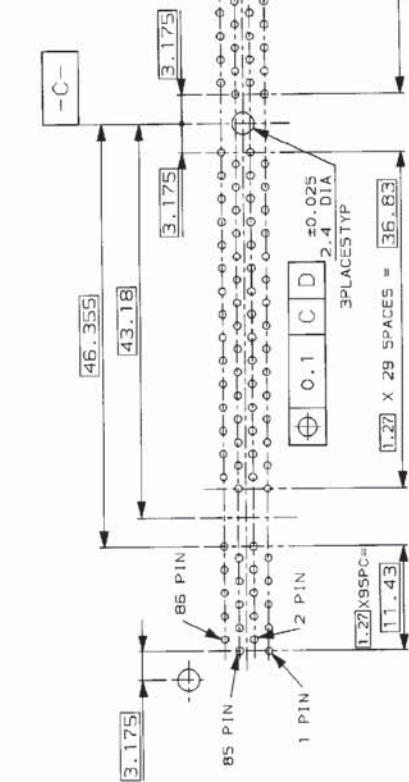
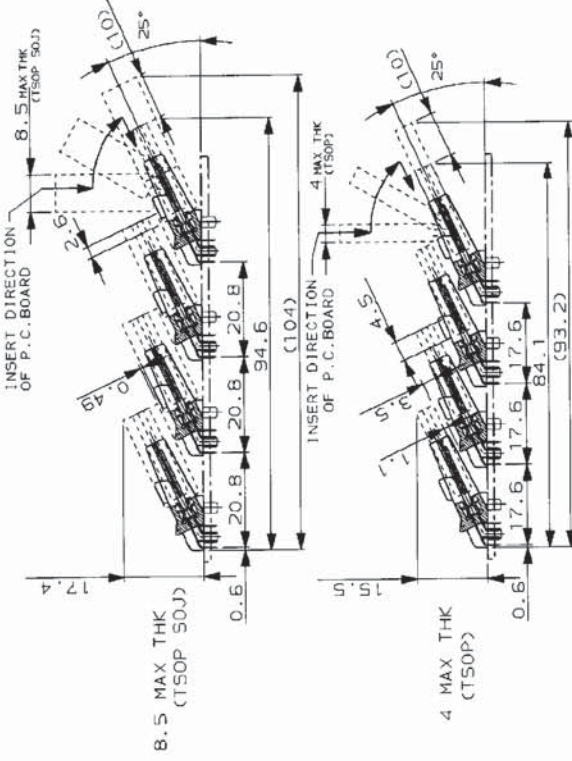
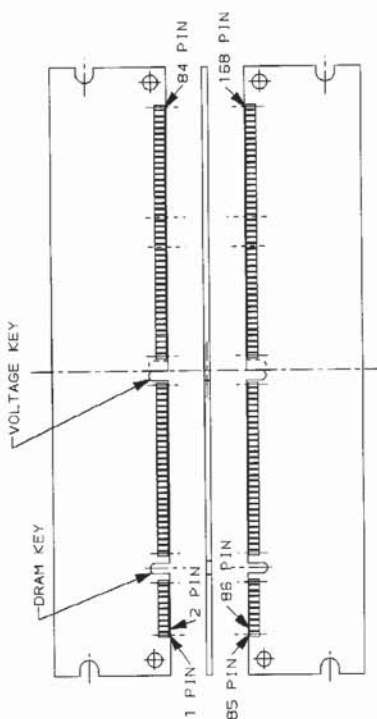
Tel: +86-755-8981 8866 Fax: +86-755-8427 6832

Email & Skype: info@chipsmall.com Web: www.chipsmall.com

Address: A1208, Overseas Decoration Building, #122 Zhenhua RD., Futian, Shenzhen, China



4 3 2 1



推奨取付け仕様 (コネクタ一取付け例)
RECOMMENDED P.C. BOARD HOLE LAYOUT
(CONNECTOR MOUNTING SIDE)
推奨基板厚
P.C. BOARD THK 1.5 ±0.1

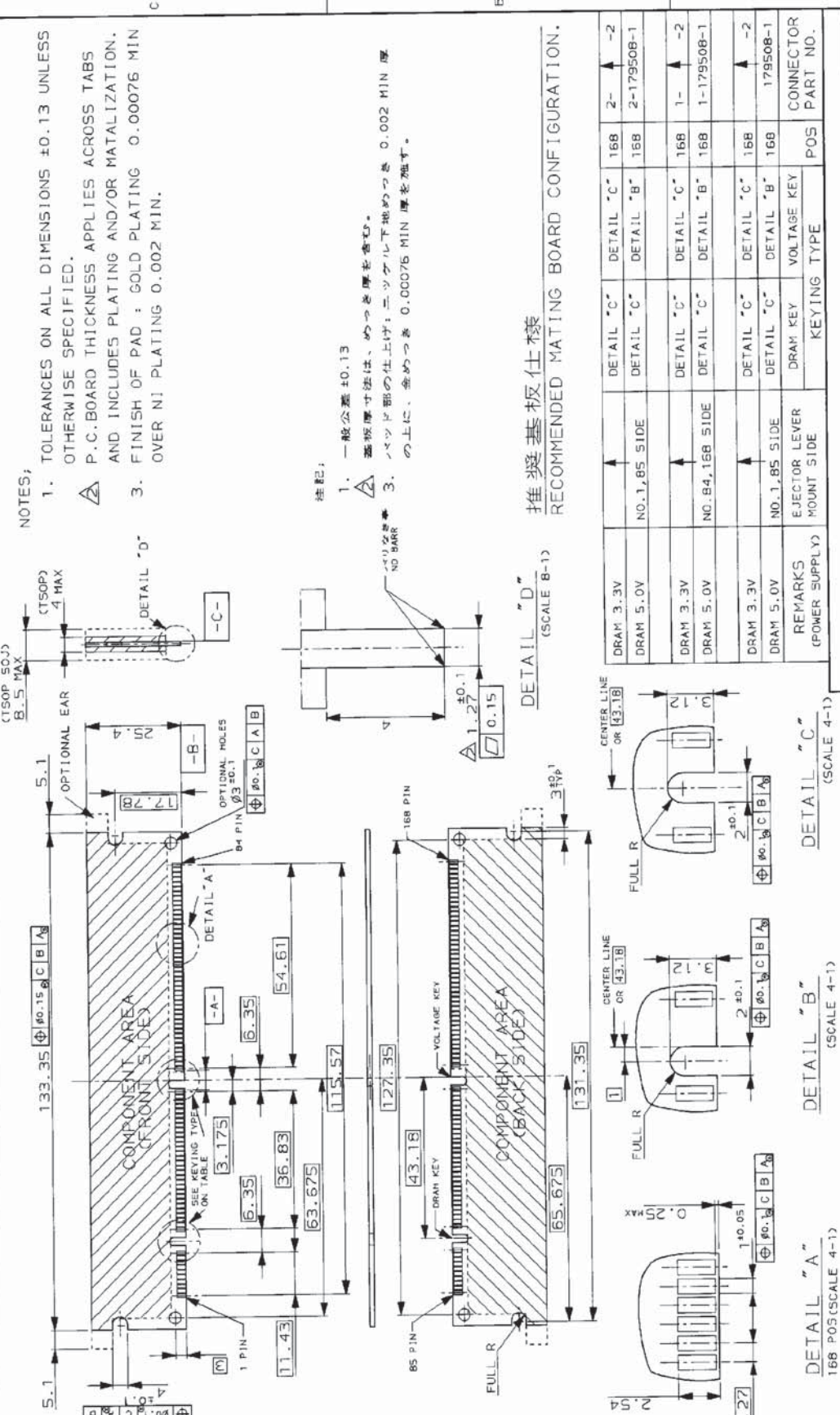
Copyright ©1983 AMP (Japan), LTD. ALL RIGHTS RESERVED.	Copyright ©1983 AMP (Japan), LTD. ALL RIGHTS RESERVED.	AMP Tokyo, Japan
規格 (NAME) LOW PROFILE M64 CARD EDGE CONNECTOR, SLANT (25°) TYPE. (FOR 8 BYTE DIMM)	規格 (NAME) LOW PROFILE M64 CARD EDGE CONNECTOR, SLANT (25°) TYPE. (FOR 8 BYTE DIMM)	規格 (NAME) LOW PROFILE M64 CARD EDGE CONNECTOR, SLANT (25°) TYPE. (FOR 8 BYTE DIMM)
寸法 (DIMENSIONS) 1.27 X 29 SPACES = 36.83	寸法 (DIMENSIONS) 1.27 X 43 SPACES = 54.61	寸法 (DIMENSIONS) 1.27 X 29 SPACES = 36.83
公差 (TOLERANCES) 0.1 C D	公差 (TOLERANCES) 0.1 C D	公差 (TOLERANCES) 0.1 C D
材料 (MATERIAL)	材料 (MATERIAL)	材料 (MATERIAL)
製造 (MANUFACTURE)	製造 (MANUFACTURE)	製造 (MANUFACTURE)
検査 (INSPECTION)	検査 (INSPECTION)	検査 (INSPECTION)
承認 (APPROVAL)	承認 (APPROVAL)	承認 (APPROVAL)
DR.	DR.	DR.
DR. CHE. DATE	DR. CHE. DATE	DR. CHE. DATE
変更 (REVISION RECORD)	変更 (REVISION RECORD)	変更 (REVISION RECORD)
L-TR	L-TR	L-TR
図面 (DRAWING)	図面 (DRAWING)	図面 (DRAWING)

PRINT D137
AMP-010-02-C
REV. 0009B

寸法: 寸法 DIMENSIONS IN MM, DO NOT SCALE PRINT
PROJ NO. 6953-24B
PRJ NO. 6953-30A

METRIC
三 角 形 (3rd ANGLE PROJECTION)

NUMBER
C-179508



NOTES:
1. TOLERANCES ON ALL DIMENSIONS ± 0.13 UNLESS OTHERWISE SPECIFIED.
2. P.C. BOARD THICKNESS APPLIES ACROSS TABS AND INCLUDES PLATING AND/OR MATALIZATION.
3. FINISH OF PAD : GOLD PLATING 0.00075 MIN OVER NI PLATING 0.002 MIN.

注記:
1. 一般公差 ± 0.13
2. 基板厚さは、めっき厚を含む。
3. マット部の仕上げは、ニッケル下地めっき 0.002 MIN 厚の上に、金めっき 0.00075 MIN 厚を施す。

推奨基板仕様
RECOMMENDED MATING BOARD CONFIGURATION.

DRAM	NO. 1, 85 SIDE	DETAIL "C"	DETAIL "C"	168	2-
DRAM 3.3V		DETAIL "C"	DETAIL "C"	168	2-179508-1
DRAM 5.0V		DETAIL "C"	DETAIL "C"	168	1-179508-1
DRAM 3.3V		DETAIL "C"	DETAIL "C"	168	179508-1
DRAM 5.0V		DETAIL "C"	DETAIL "C"	168	CONNECTOR PART NO.
REMARKS (POWER SUPPLY)	EJECTOR LEVER MOUNT SIDE	KEYING TYPE	VOLTAGE KEY	POS	

Copyright © 1993 AMP (Japan), LTD. ALL RIGHTS RESERVED. 東京, 日本

AMP-010-02-C
REV. 0009B

名称 (NAME): AMP
住所 (ADDRESS): Tokyo, Japan

低プロファイル M64 カードエッジコネクタ, SLANT (25°) タイプ. (FOR B BYTE DIMM)

一般公差 (GENERAL TOLERANCES) (単位: mm):
寸法 (DIMENSIONS): ± 0.13
穴径 (HOLE DIA.): ± 0.13
穴間寸法 (HOLE PITCH): ± 0.13

材料 (MATERIAL):
DR: DE.
CHK: DE.

見直し (REVISION RECORD):
LTR 変更 (REVISION RECORD) DR CHK DATE

図面番号 (DRAWING NO.): C-179508

シート番号 (SHEET NO.): 3 OF 3

顧客図面 (CUSTOMER DRAWING) 参考