



Chipsmall Limited consists of a professional team with an average of over 10 year of expertise in the distribution of electronic components. Based in Hongkong, we have already established firm and mutual-benefit business relationships with customers from,Europe,America and south Asia,supplying obsolete and hard-to-find components to meet their specific needs.

With the principle of “Quality Parts,Customers Priority,Honest Operation,and Considerate Service”,our business mainly focus on the distribution of electronic components. Line cards we deal with include Microchip,ALPS,ROHM,Xilinx,Pulse,ON,Everlight and Freescale. Main products comprise IC,Modules,Potentiometer,IC Socket,Relay,Connector.Our parts cover such applications as commercial,industrial, and automotives areas.

We are looking forward to setting up business relationship with you and hope to provide you with the best service and solution. Let us make a better world for our industry!



## Contact us

Tel: +86-755-8981 8866 Fax: +86-755-8427 6832

Email & Skype: info@chipsmall.com Web: www.chipsmall.com

Address: A1208, Overseas Decoration Building, #122 Zhenhua RD., Futian, Shenzhen, China



NUMBER 179720

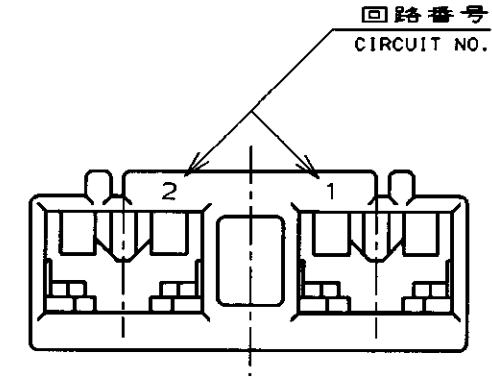
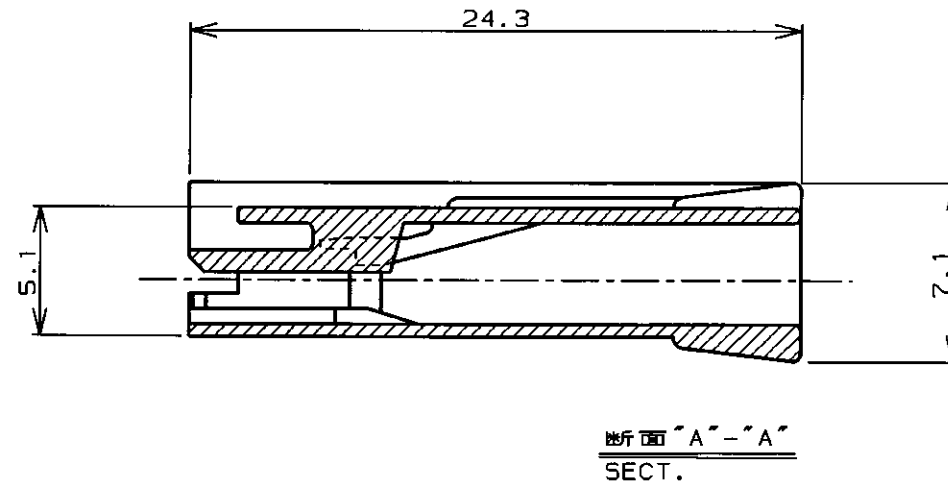
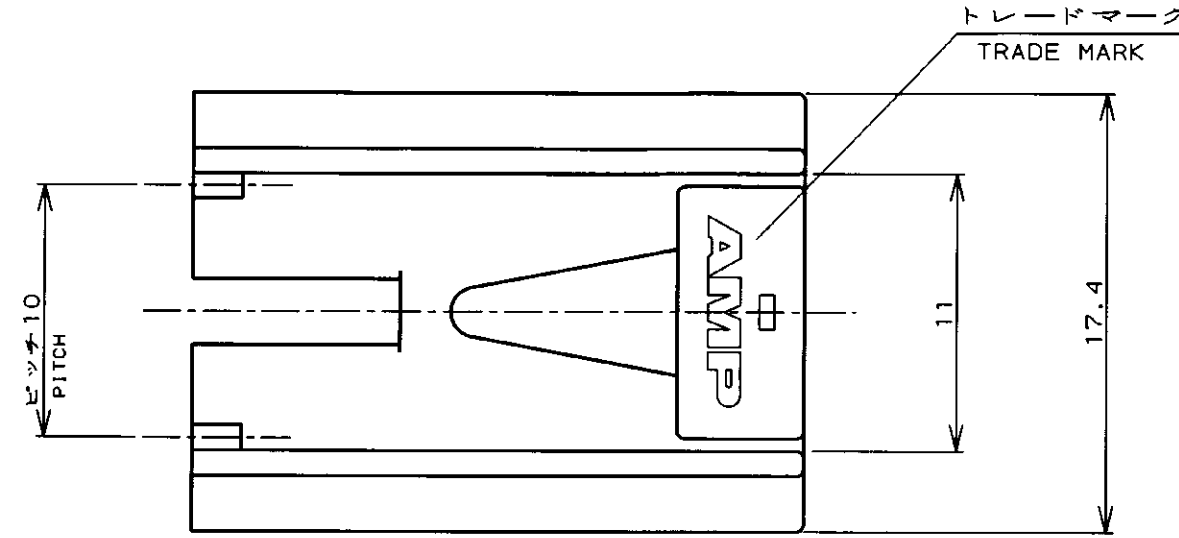
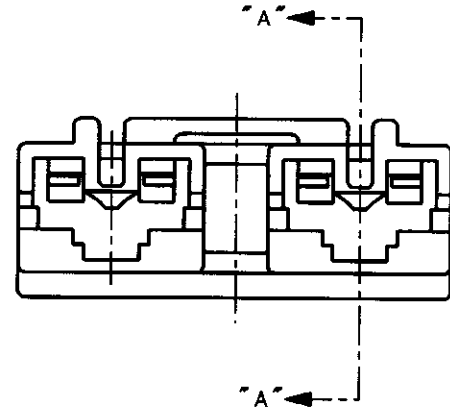


METRIC

単位: mm DIMENSIONS IN MM. DO NOT SCALE PRINT

PRINT DIST

AMP-J010-2C REV. 3/93



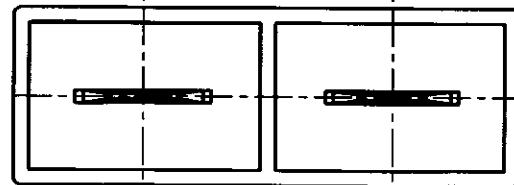
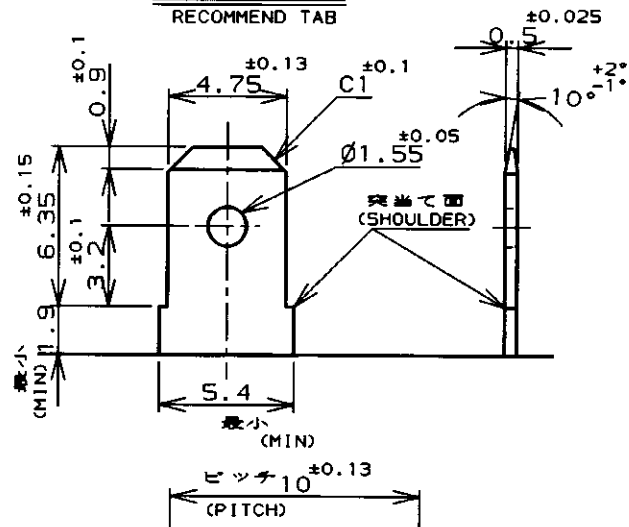
注:

- 1. 適用製品規格 : 108-5126
- 2. 適用端子型番 : 170324, 170325, 170326

NOTES;

- 1. PRODUCT SPEC : 108-5126
- 2. APPLICABLE CONTACT P/N : 170324, 170325, 170326

タブ推奨図 RECOMMEND TAB



赤 (RED)	179720-7
青 (BLUE)	179720-6
黄 (YELLOW)	179720-4
黒 (BLACK)	179720-2
自然色 (NATURAL)	179720-1
色 (COLOR)	型番 (P/N)

Copyright ©1994年 AMP (Japan), LTD. ALL RIGHTS RESERVED.				Copyright ©1994 AMP (Japan), LTD. ALL RIGHTS RESERVED.		AMP		日本エー・エム・ピー株式会社 Tokyo, Japan	
C REVISED FJ00-5183-96				材料 (MATERIAL) 6/6ナイロン (94V-0) 6/6NYLON (94V-0)		名称 (NAME) 187 シリーズ ポジティブロック (マークII) 2極 リセハウジング 10mmピッチ 187 SERIES POSITIVE LOCK (MK-II) 2P 10mmPITCH REC.HSG		一般公差 (GENERAL TOLERANCE) 10mm以下: ±0.2 10mm以上 30mm以下: ±0.25 30mm以上 100mm以下: ±0.3 角度: ±3°	
B REVISED FJ00-4556-96				仕上 (FINISH)		LOC B J		番号 (No.) 179720	
A REVISED FJ00-2185-95				DR. N. NAGASHIMA		DR. N. YAMASAKI		尺度 (SCALE) REV. C SHEET 1 OF 1	
O RELEASED FJ00-0288-94				DR. M. SHINDO		DR. Y. KASHIWA			
LTR 変更 (REVISION RECORD)				DR		CHK		DATE	

(CUSTOMER DRAWING) 参 考 図 面