



Chipsmall Limited consists of a professional team with an average of over 10 year of expertise in the distribution of electronic components. Based in Hongkong, we have already established firm and mutual-benefit business relationships with customers from,Europe,America and south Asia,supplying obsolete and hard-to-find components to meet their specific needs.

With the principle of “Quality Parts,Customers Priority,Honest Operation,and Considerate Service”,our business mainly focus on the distribution of electronic components. Line cards we deal with include Microchip,ALPS,ROHM,Xilinx,Pulse,ON,Everlight and Freescale. Main products comprise IC,Modules,Potentiometer,IC Socket,Relay,Connector.Our parts cover such applications as commercial,industrial, and automotives areas.

We are looking forward to setting up business relationship with you and hope to provide you with the best service and solution. Let us make a better world for our industry!



Contact us

Tel: +86-755-8981 8866 Fax: +86-755-8427 6832

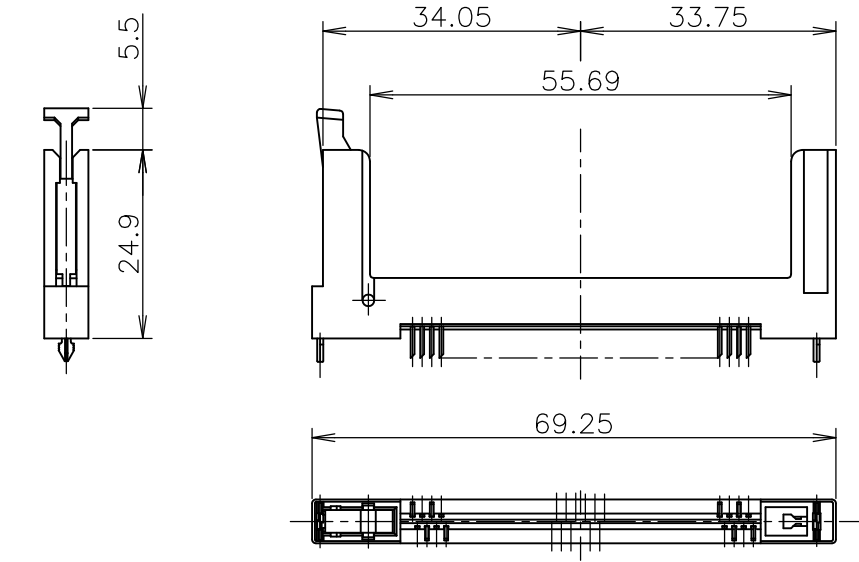
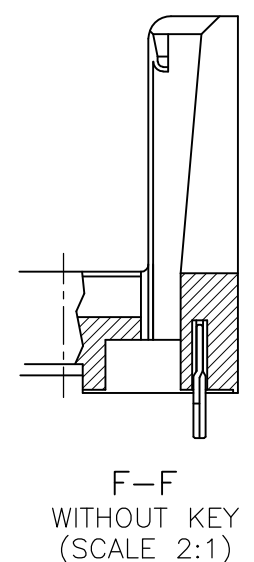
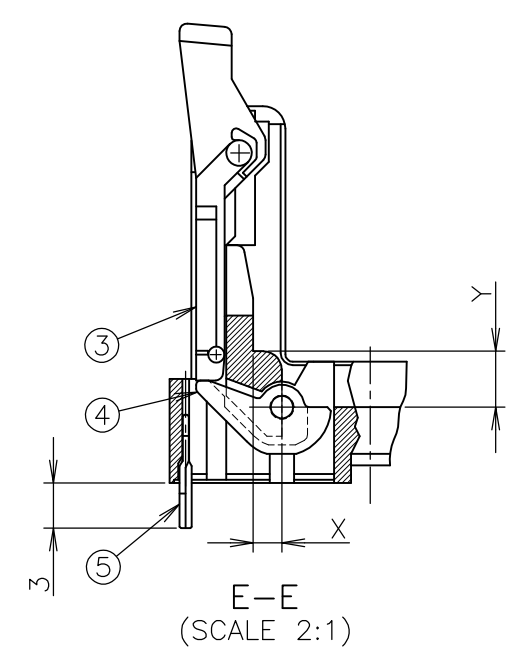
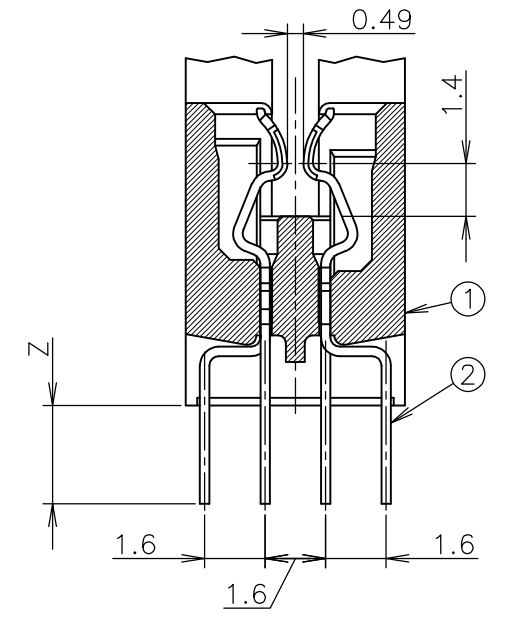
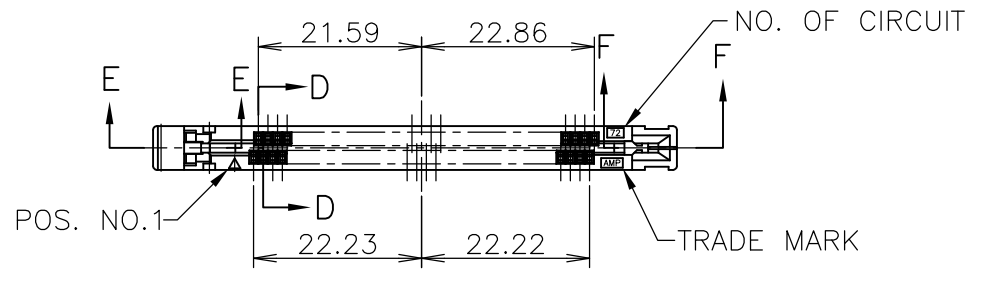
Email & Skype: info@chipsmall.com Web: www.chipsmall.com

Address: A1208, Overseas Decoration Building, #122 Zhenhua RD., Futian, Shenzhen, China



THIS DRAWING IS UNPUBLISHED. RELEASED FOR PUBLICATION APR, 1994.
 © COPYRIGHT 1994 By Tyco Electronics Japan G.K. ALL RIGHTS RESERVED.

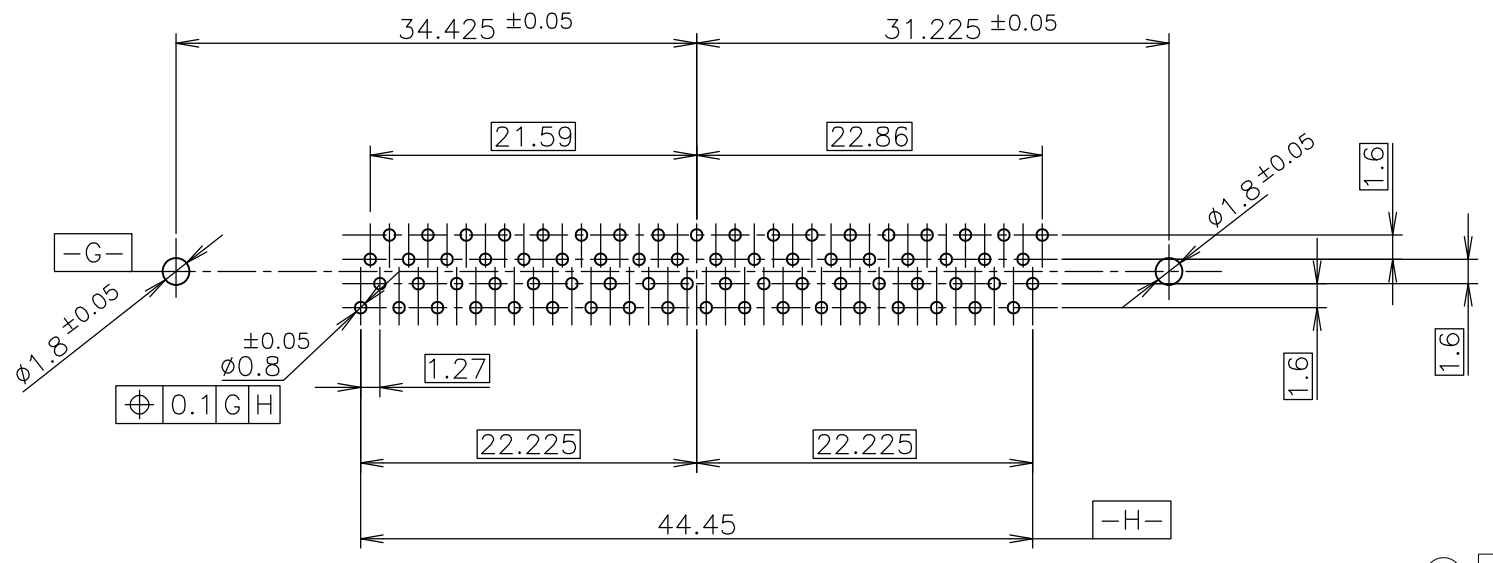
LOC	DIST	REVISIONS			DATE	DWN	APVD
		P	LTR	DESCRIPTION			
J			F	REVISED PER ECR-11-001017	26APR11	TT	TM



D-D
 ROTATED 90° CCW
 (SCALE 5:1)

E-E
 (SCALE 2:1)

F-F
 WITHOUT KEY
 (SCALE 2:1)

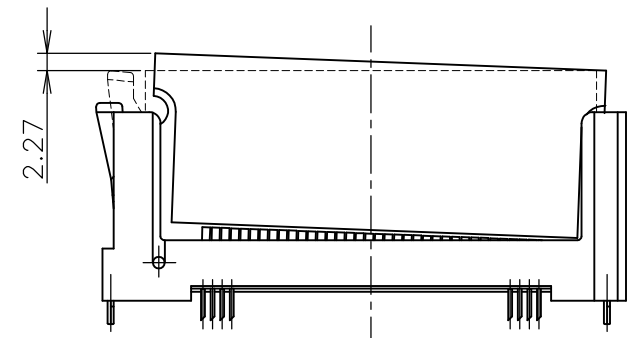


MOUNTING LAYOUT (VIEW FROM CONN. MOUNTING SIDE)
 (SCALE 2:1)

- △ MATERIAL; HOUSING: L.C.P (HIGH TEMP THERMO PLASTIC)
 UL 94V-0, NATURAL.
 CONTACT: PHOS-BRZ
 ARM & PUSH BAR: PA 6T UL94V-0
- △ FINISH; CONTACT AREA: 0.0003 MIN GOLD ON
 0.0013 MIN ALL OVER NICKEL.
 SOLDERING AREA: 0.001 MIN TIN-LEAD.
- 3 MODULE KEY POSITION OF CONNECTOR SEE TABLE.
- △ 材料:ハウジング:L.C.P (耐熱性熱可塑性樹脂) UL 94V-0, 自然色
 コンタクト: 燐青銅
 アーム及びプッシュバー: PA 6T UL94V-0
- △ めっき仕様; 接触部 金めっき 0.0003 MIN 厚
 ニッケル下地 0.0013 MIN 厚
 半田付け部; 半田めっき 0.001 MIN 厚
- 3 コネクターのモジュールキーは表参照の事。

RETENTION LEG	⑤
ARM	④
PUSH BAR	③
CONTACT	②
HOUSING	①
PARTS	NO.

BLACK	INEXIST	2	6.05	1.9	5V A=2.03, B=6.35	5-179759-2
NATURAL	INEXIST	2	2.875	1.9	3.3V A=2.03, B=3.175	5-179759-1
(F) OBSOLETE	BLACK	INEXIST	2.6	6.05	5V A=2.03, B=6.35	179759-2
(F) OBSOLETE	NATURAL	INEXIST	2.6	2.875	3.3V A=2.03, B=3.175	179759-1
COLOR OF PUSH BAR	KEY OF RIGHT SIDE	Z	Y	X	MODULE TYPE	PARTS NO.



DIM. OF EJECTION MEMORY MODULE

GENERAL TOLERANCE
 一般公差

10 ≥	±0.2
30 ≥ > 10	±0.25
100 ≥ > 30	±0.3
ANGLES	±3°

THIS DRAWING IS A CONTROLLED DOCUMENT.

DIMENSIONS: 単位: 耗 mm	TOLERANCES UNLESS OTHERWISE SPECIFIED: 一般公差	DWN T.KUSUHARA 28APR1994	TE Connectivity M III VERTICAL DIMM SOCKET 72P DIP TYPE												
	<table border="1"> <tr> <td>0 PLC</td> <td>±-</td> </tr> <tr> <td>1 PLC</td> <td>±-</td> </tr> <tr> <td>2 PLC</td> <td>±-</td> </tr> <tr> <td>3 PLC</td> <td>±-</td> </tr> <tr> <td>4 PLC</td> <td>±-</td> </tr> <tr> <td>ANGLES</td> <td>±-</td> </tr> </table>	0 PLC		±-	1 PLC	±-	2 PLC	±-	3 PLC	±-	4 PLC	±-	ANGLES	±-	CHK I.ENOMOTO 14MAY1994
		0 PLC		±-											
		1 PLC		±-											
2 PLC	±-														
3 PLC	±-														
4 PLC	±-														
ANGLES	±-														
MATERIAL 材料	FINISH 仕上	APVD Y.YOSHIMURA 16MAY1994													
		NAME 名称	RESTRICTED TO												

PRODUCT SPEC 製品規格
 APPLICATION SPEC 取付適用規格
 WEIGHT

CUSTOMER DRAWING

SIZE A3 CAGE CODE 00779 DRAWING NO. G-179759

SCALE 1:1 SHEET 1 OF 2 REV F

4

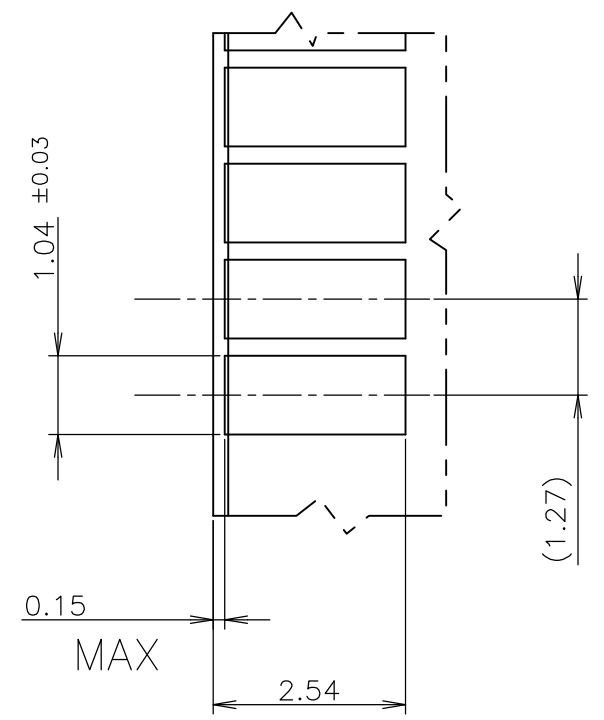
3

2

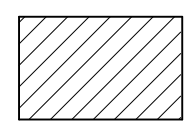
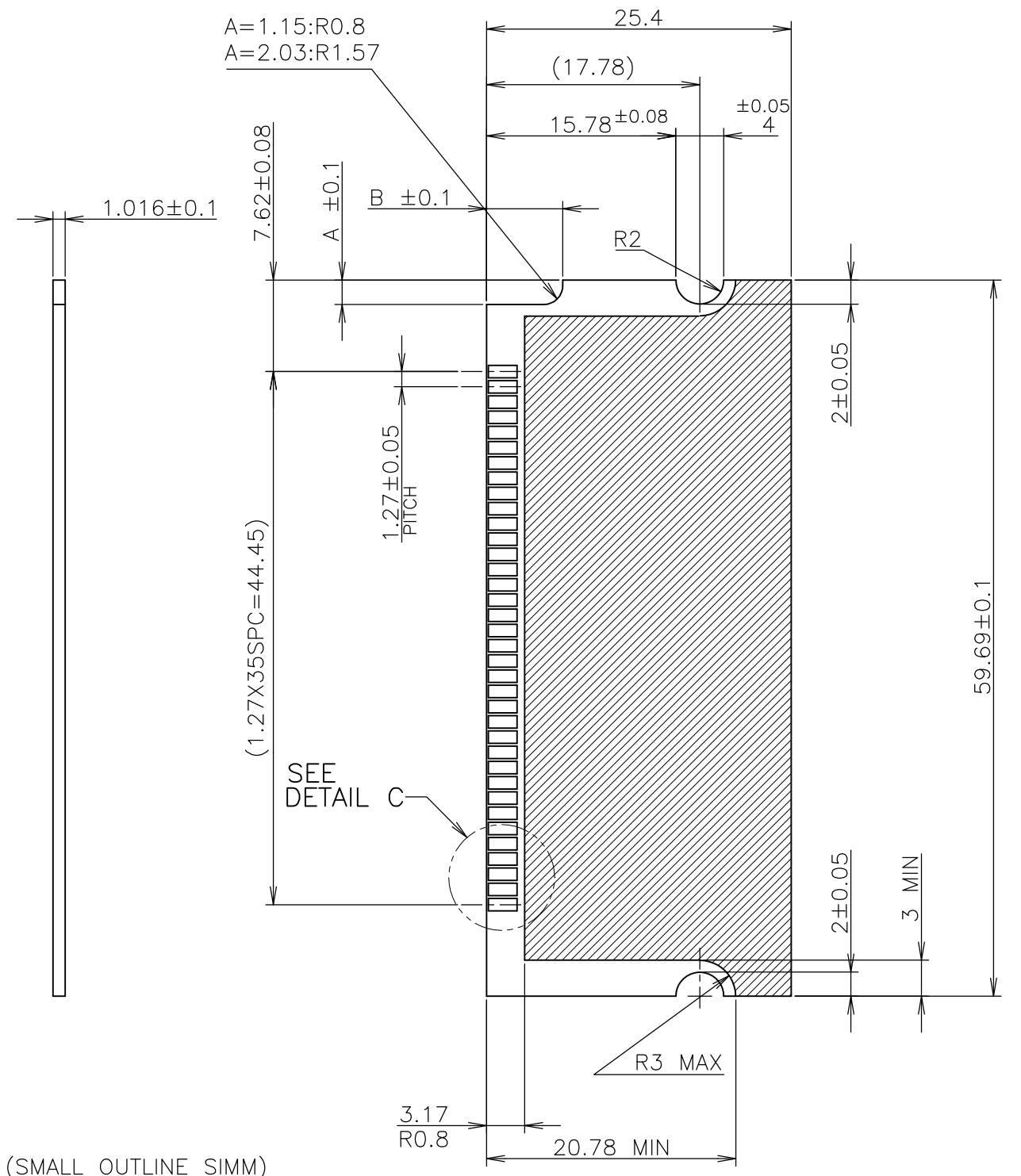
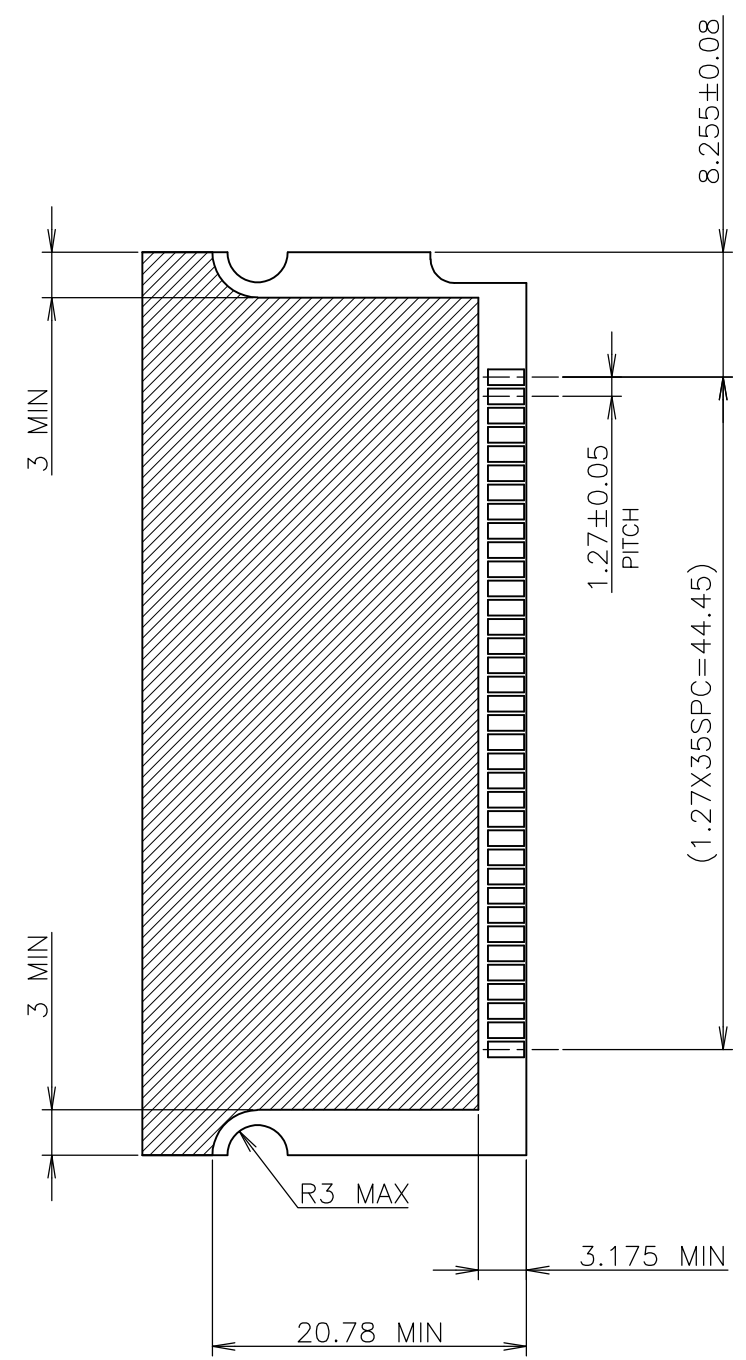
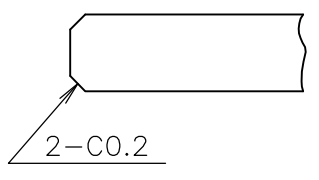
1

THIS DRAWING IS UNPUBLISHED. RELEASED FOR PUBLICATION APR, 1994.
 © COPYRIGHT 1994 By Tyco Electronics Japan G.K. ALL RIGHTS RESERVED.

LOC	DIST	REVISIONS		
J	/	P	LTR	DESCRIPTION
		-		SEE SHEET 1
				DATE
				DWN
				APVD



DETAIL C
(SCALE 10:1)



部品実装領域
COMPONENT AREA

参考基板寸法 (SMALL OUTLINE SIMM)
REFERENCE DIMENSIONS OF "SMALL OUTLINE SIMM" P. C. BOARD

GENERAL TOLERANCE
一般公差

10 ≥	±0.2
30 ≥ > 10	±0.25
100 ≥ > 30	±0.3
ANGLES	±3°

THIS DRAWING IS A CONTROLLED DOCUMENT.		DWN
DIMENSIONS: 単位: 耗 mm		CHK
TOLERANCES UNLESS OTHERWISE SPECIFIED: 一般公差		APVD
0 PLC ± -		PRODUCT SPEC 製品規格
1 PLC ± -		APPLICATION SPEC 取付適用規格
2 PLC ± -		WEIGHT
3 PLC ± -		
4 PLC ± -		
ANGLES ± -		
MATERIAL 材料	FINISH 仕上	

STE TE Connectivity			
NAME 名称 M III VERTICAL DIMM SOCKET 72P DIP TYPE			
SIZE	CAGE CODE	DRAWING NO 番号	RESTRICTED TO
A3	00779	C-179759	-
CUSTOMER DRAWING		SCALE 尺度 2:1	SHEET 2 OF 2
		REV F	