



Chipsmall Limited consists of a professional team with an average of over 10 year of expertise in the distribution of electronic components. Based in Hongkong, we have already established firm and mutual-benefit business relationships with customers from,Europe,America and south Asia,supplying obsolete and hard-to-find components to meet their specific needs.

With the principle of “Quality Parts,Customers Priority,Honest Operation,and Considerate Service”,our business mainly focus on the distribution of electronic components. Line cards we deal with include Microchip,ALPS,ROHM,Xilinx,Pulse,ON,Everlight and Freescale. Main products comprise IC,Modules,Potentiometer,IC Socket,Relay,Connector.Our parts cover such applications as commercial,industrial, and automotives areas.

We are looking forward to setting up business relationship with you and hope to provide you with the best service and solution. Let us make a better world for our industry!



Contact us

Tel: +86-755-8981 8866 Fax: +86-755-8427 6832

Email & Skype: info@chipsmall.com Web: www.chipsmall.com

Address: A1208, Overseas Decoration Building, #122 Zhenhua RD., Futian, Shenzhen, China

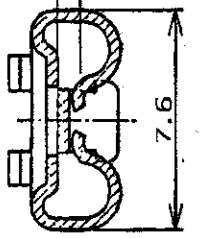


NUMBER 179974

三角法 (3rd ANGLE PROJECTION)

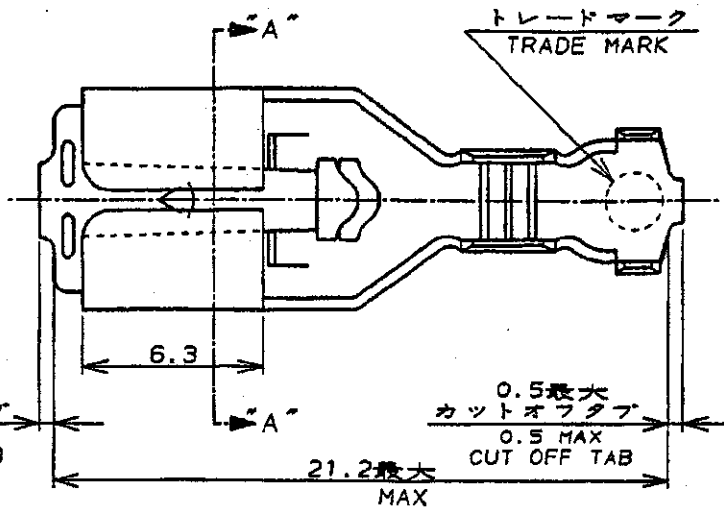
METRIC

0.8厚タブと嵌合
MATE WITH 0.8 TAB

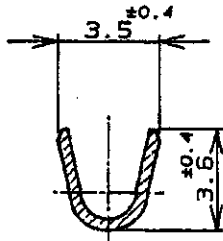
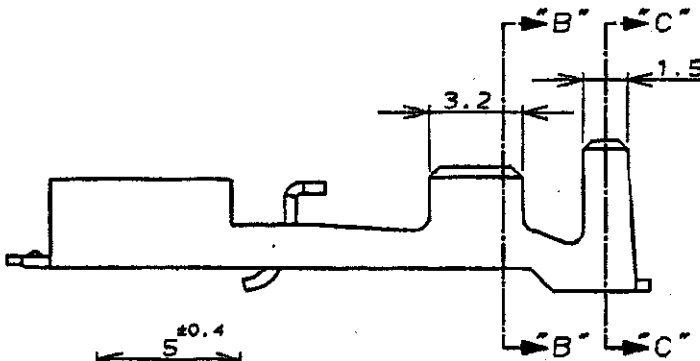


断面 "A"- "A"
SECT

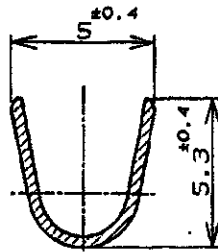
0.5最大
カットオフタブ
0.5 MAX
CUT OFF TAB



0.5最大
カットオフタブ
0.5 MAX
CUT OFF TAB



断面 "B"- "B"
SECT



断面 "C"- "C"
SECT

注記:

1. 製品規格 : 108-5437
2. 取付適用規格 : 114-5195
3. 適用ハウジング : 179970-□
1318954-□
4. 取扱説明書 : 411-5691

NOTE:

1. PRODUCT SPEC : 108-5437
2. APPLICATION SPEC : 114-5195
3. APPLICABLE HOUSING P/N : 179970-□
1318954-□
4. INSTRUCTION SHEET : 411-5691

単位: 寸法 DIMENSIONS IN MM. DO NOT SCALE PRINT

— II —	錫めっき高耐熱銅合金 (PRE TINNED HIGH HEAT RESISTANCE COPPER ALLOY)	179974-6
179989-1	錫めっき黄銅 (PRE TINNED BRASS)	179974-1
プラグ端子型番 (L/P No.)	材料 (MATERIAL)	型番 (P/N)



TE Connectivity

一般公差 (GENERAL TOLERANCE)	包含電線断面積 (WIRE RANGE)	絶縁外径 (INSULATION DIA.)
10以下 : ±0.2 10以上 30以下 : ±0.25 30以上 100以下 : ±0.3 角 度 : ±3°	0.76 2.09 mm ² (AWG#18-#14)	2.2-3.4 mmφ
	材料 (MATERIAL)	仕上 (FINISH)
	表参照 (SEE TABLE)	— II —

PRINT DIS1	C1	REVISED PER ECO-11-005294	RK	HMR	06APR 11	尺度 (SCALE)	LOC	番号 (No.)	REV.	SHEET
	LTR	変更 (REVISION RECORD)	DR	CHK	DATE	4-1	A	J	C1	1 OF 1
	DR.	30 JUN '94 N. NAGASHIMA	DE.	4 JUL '94 M. SUZUKI		名称 (NAME)				
	CHK.	4 JUL '94 M. SHINDO	APP.	4 JUL '94 Y. KASHIWA		"250" SERIES POSITIVE LOCK-EX-II REC. "250" シリーズ・ポジティブロック-EX-II) セブタクル				

CUSTOMER DRAWING